

# OKI

---

## C9500/C9300/ C7500/C7300/C7100 Color LED Page Printer

Technical Reference

ODA/OEL/INT

2003-08-25 Rev.2

**History of Revision**

Rev.No.	Date	Corrected items			Person in charge
		No.	Page	Description of change	
1	2003-02-20			Issue	NP32 Ueno
2	2003-08-25				

## CONTENTS

1.	CIRCUIT DIAGRAM .....	4
2.	COMPONENT PARTS LIST .....	141

## 1. CIRCUIT DIAGRAM

Figure 1-1(1/23~23/23)	Print Engine Controller PWB (K7N Rev.4)		(41897401)
Figure 1-2(1/20~20/20)	Print Engine Controller PWB (K7V Rev.3 C7300/C7100)		(42200301)
Figure 1-3(1/22~22/22)	Main Controller PWB	(TIG)	(41850101)
Figure 1-4(1/23~23/23)	Main Controller PWB-VE	(HMF C9500)	(42435201)
Figure 1-5(1/23~23/23)	Main Controller PWB-VE	(HME C9300/C7500/C7300/C7100)	(42434601)
Figure 1-6(1/1)	LED Control PWB	(Y73 C9300/C7300/C7100)	(41879201)
Figure 1-7(1/4~4/4)	LED Control PWB	(Y7X C9500/C7500)	(42040001)
Figure 1-8(1/4~4/4)	Duplex Control PWB	(V73 C9500/C9300)	(41206801)
Figure 1-9(1/3~3/3)	Duplex Control PWB	(V71 C7500/C7300/C7100)	(41027501)
Figure 1-10(1/3~3/3)	Control Panel PWB	(X7N)	(42013101)
Figure 1-11(1/1)	Entrance Sensor PWB	(R71)	(40937501)
Figure 1-12(1/1)	Paper Size Sensing PWB	(B73 C9500/C9300)	(41230301)
Figure 1-13(1/1)	Paper Size Sensing PWB	(PXC C7500/C7300/C7100)	(40140501)
Figure 1-14(1/2~2/2)	Color Registration Sensor PWB	(Z71)	(41206401)
Figure 1-15(1/4~4/4)	Option Tray PWB	(V7X)	(41768401)
Figure 1-16(1/1)	Option I/F PWB	(C73 C9500/C9300)	(41230401)

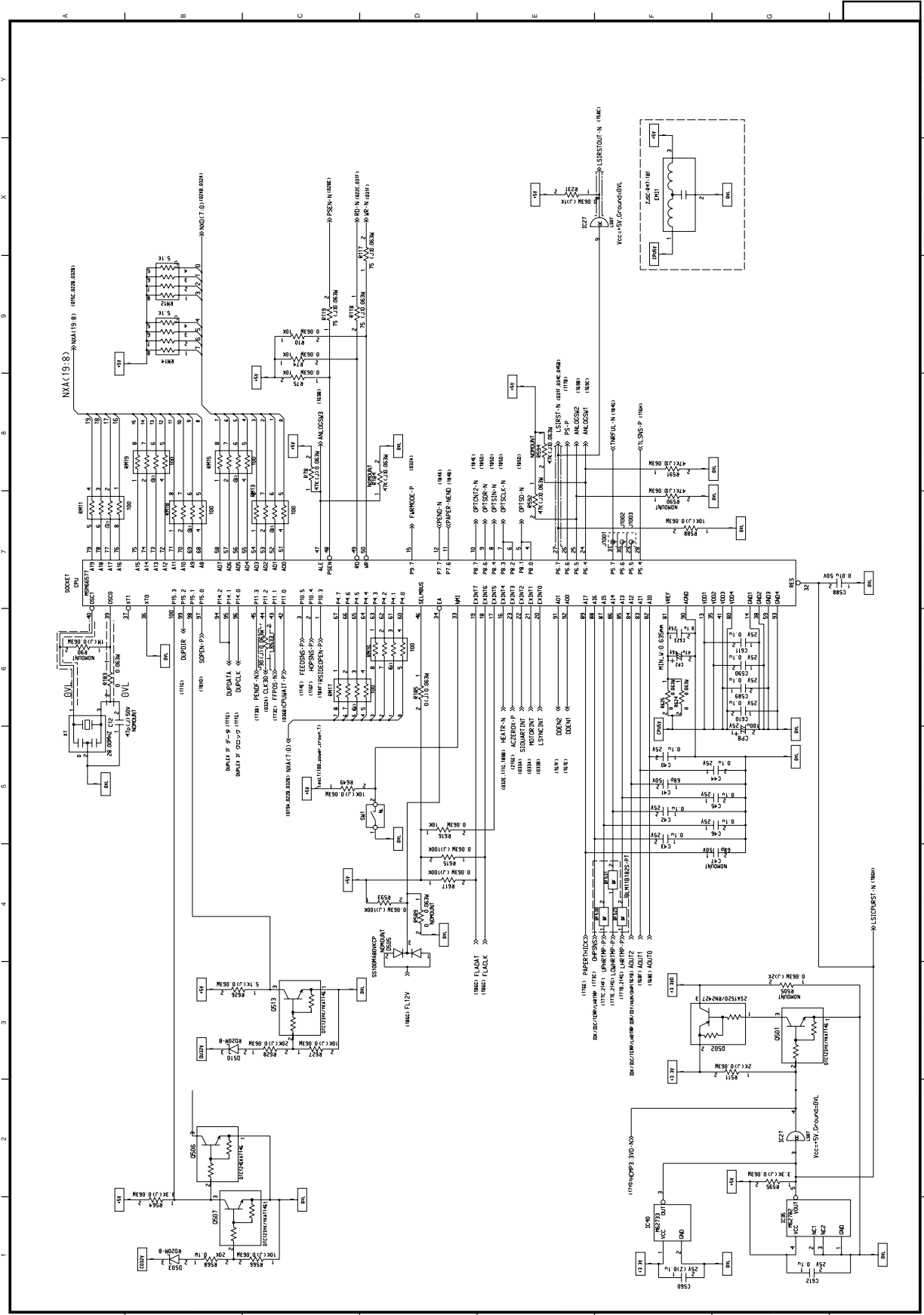


Figure 1-1 Print Engine Controller PWB (K7N Rev.4) (1/23)

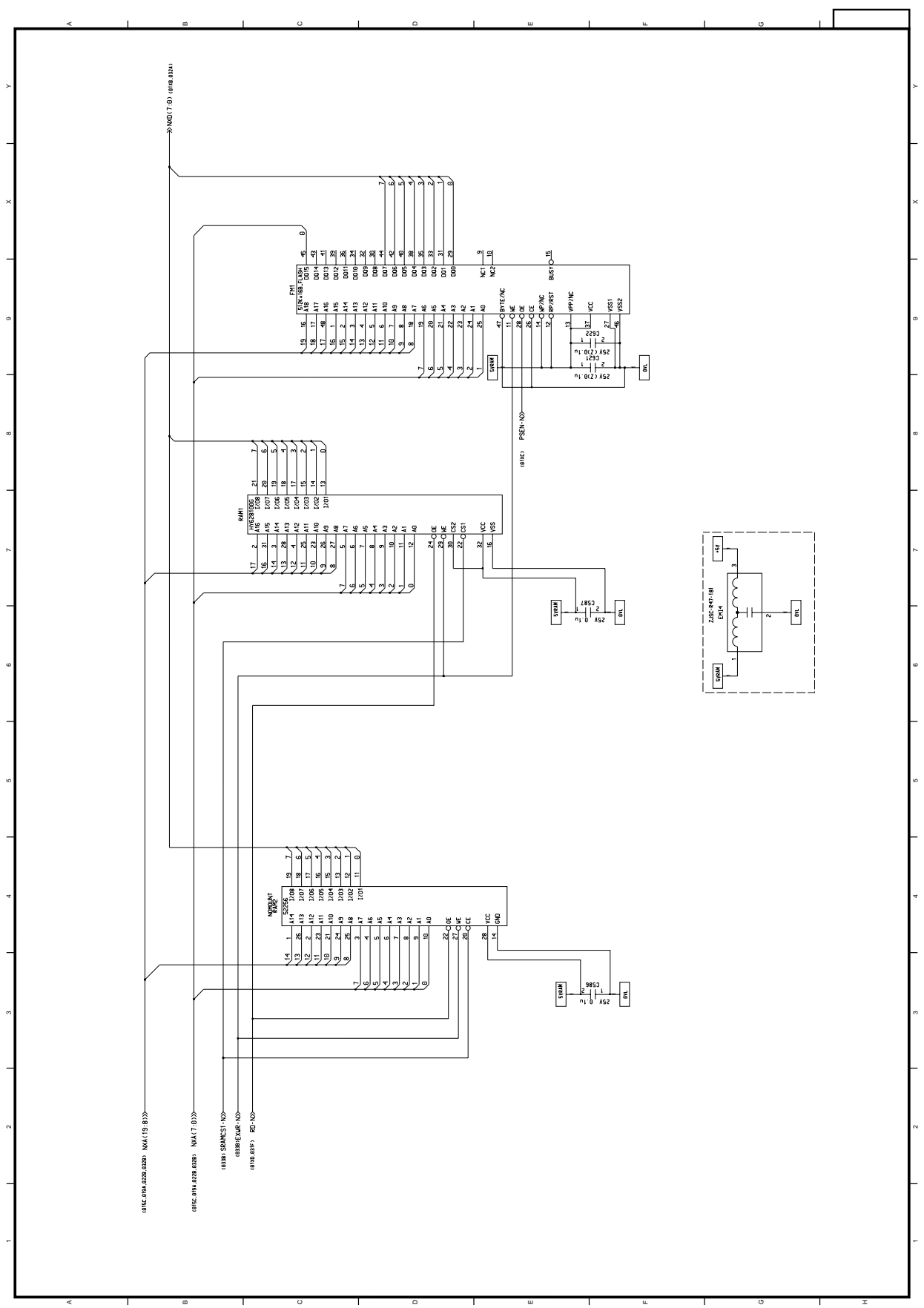


Figure 1-1 Print Engine Controller PWB (K7N Rev.4) (2/23)

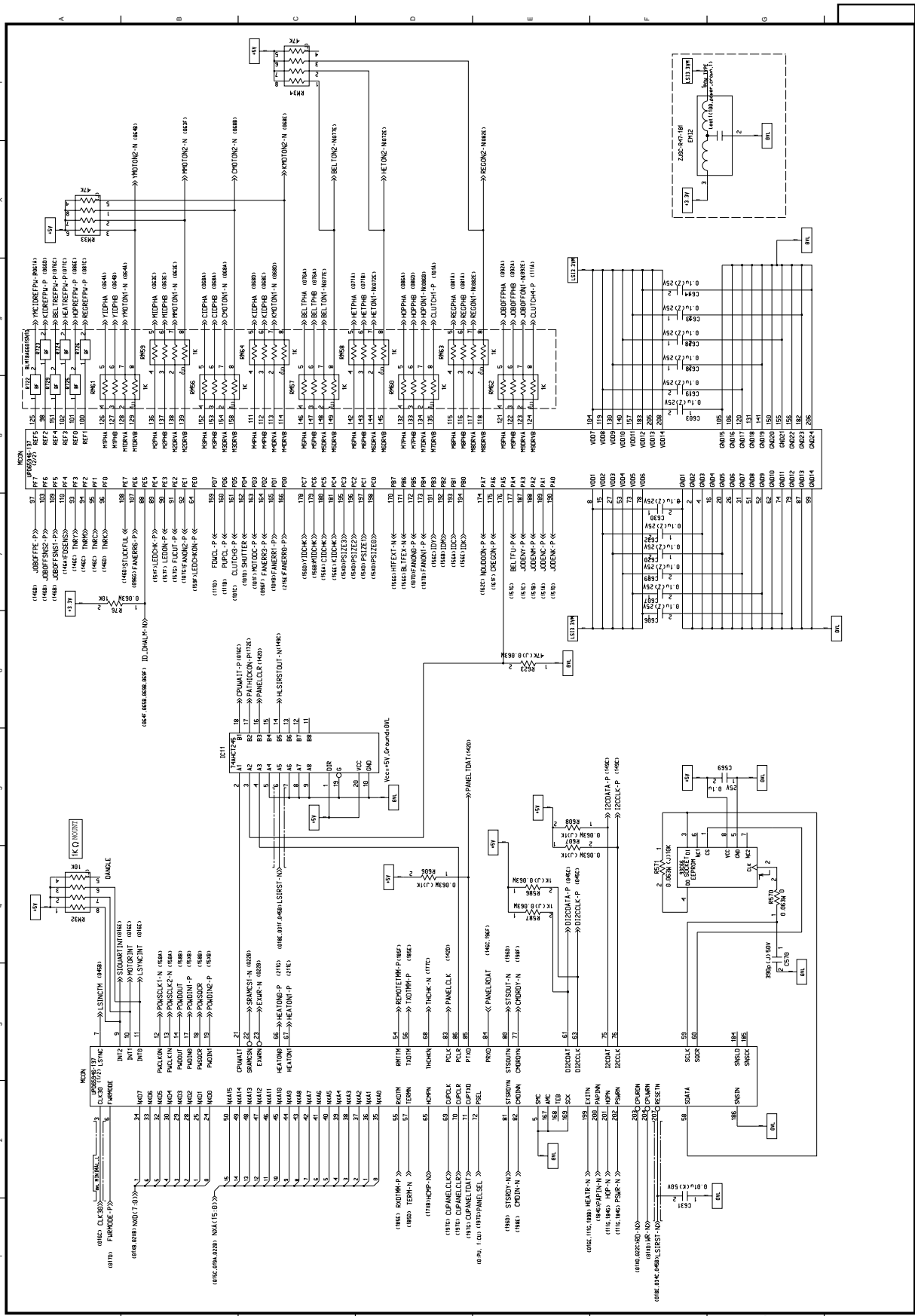


Figure 1-1 Print Engine Controller PWB (K7N Rev.4) (3/23)

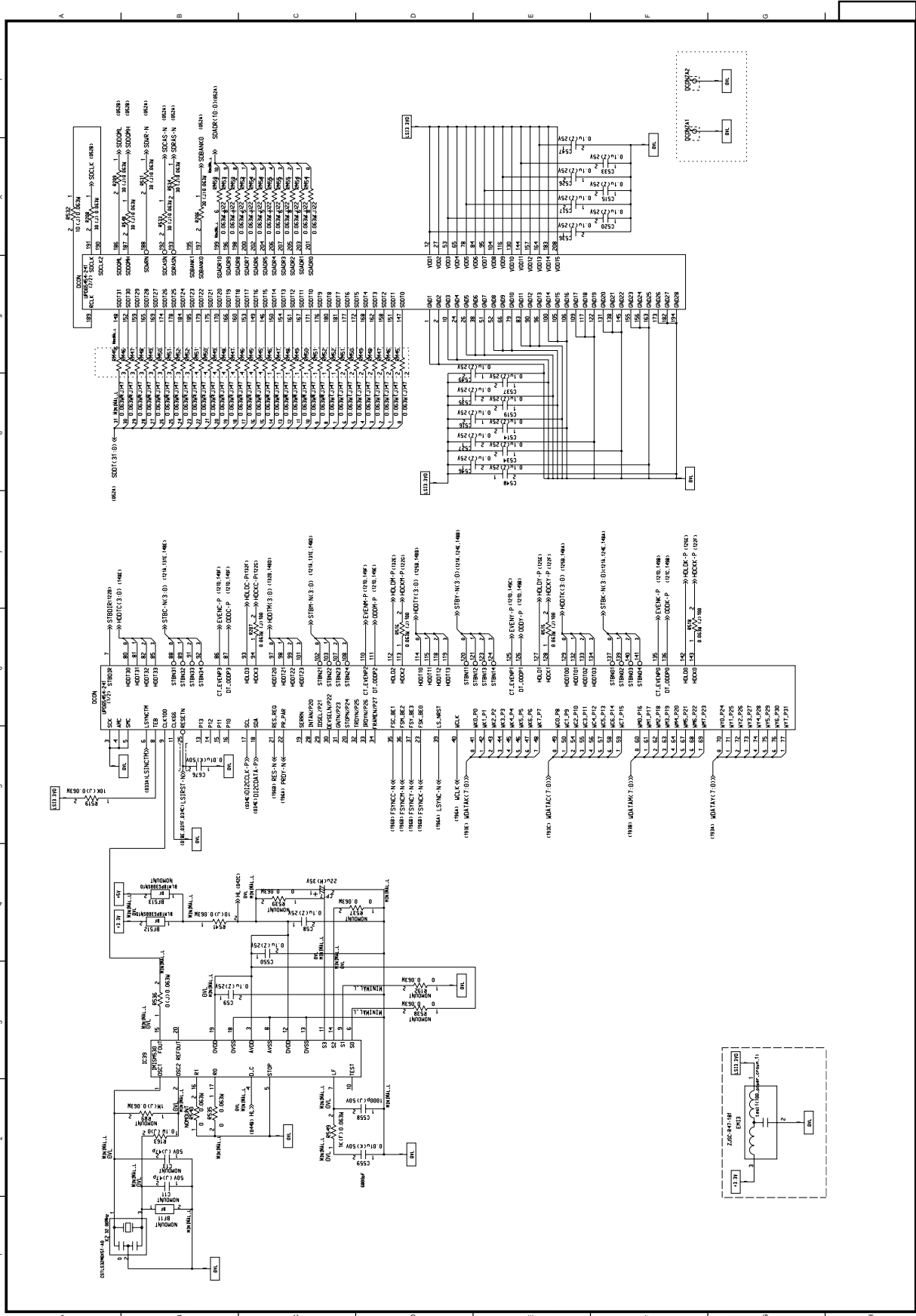


Figure 1-1 Print Engine Controller PWB (K7N Rev.4) (4/23)



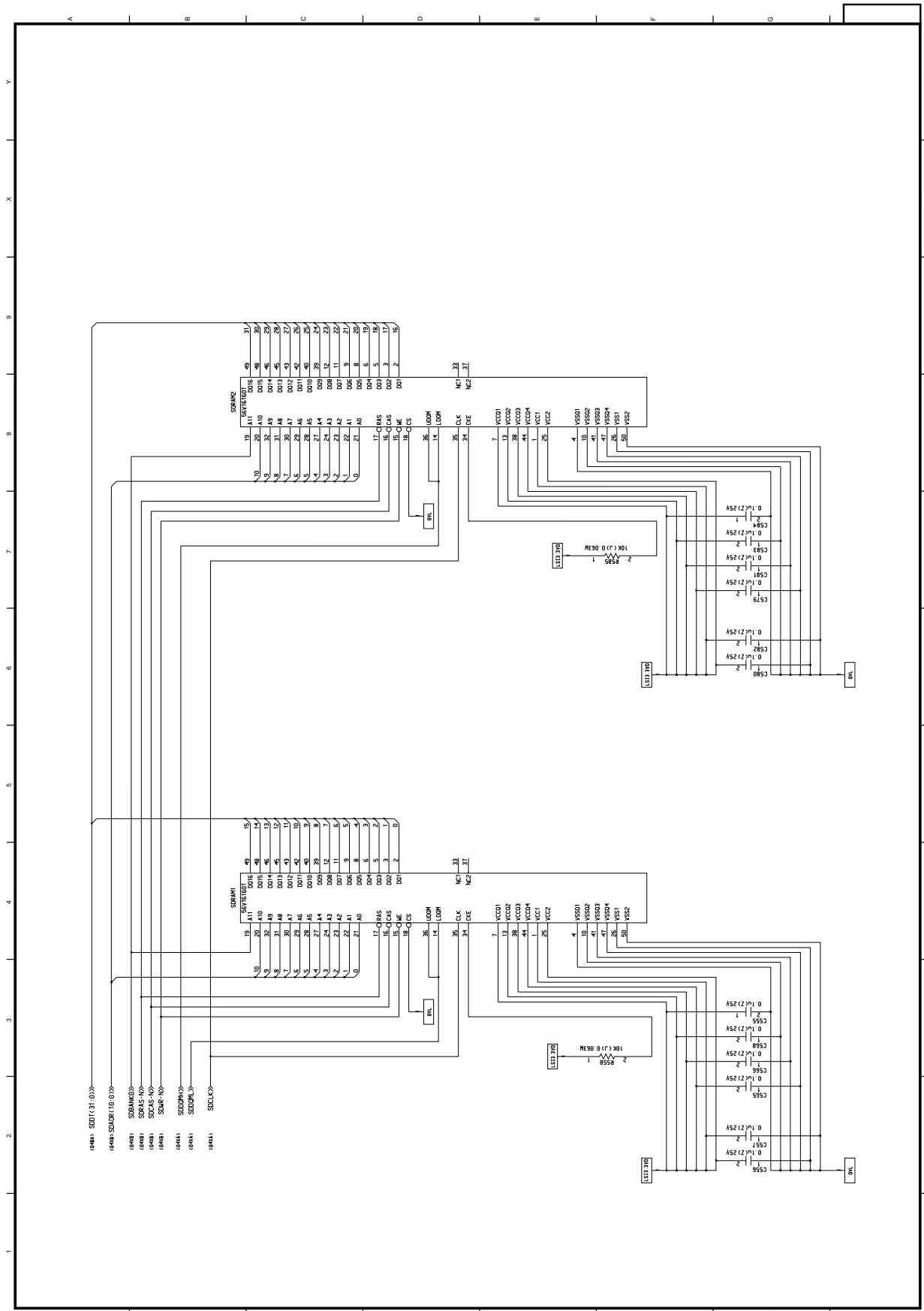


Figure 1-1 Print Engine Controller PWB (K7N Rev.4) (5/23)

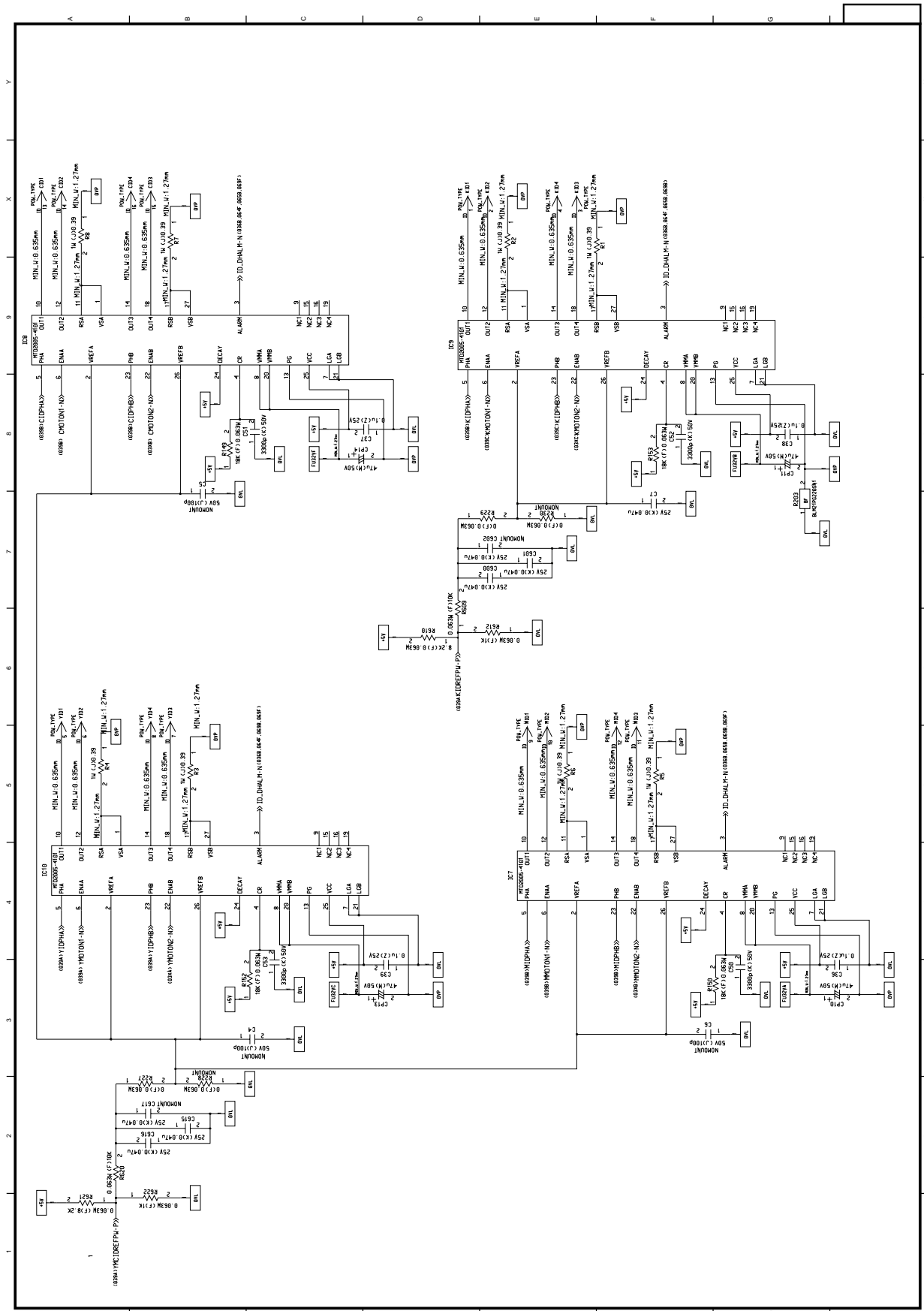


Figure 1-1 Print Engine Controller PWB (K7N Rev.4) (6/23)

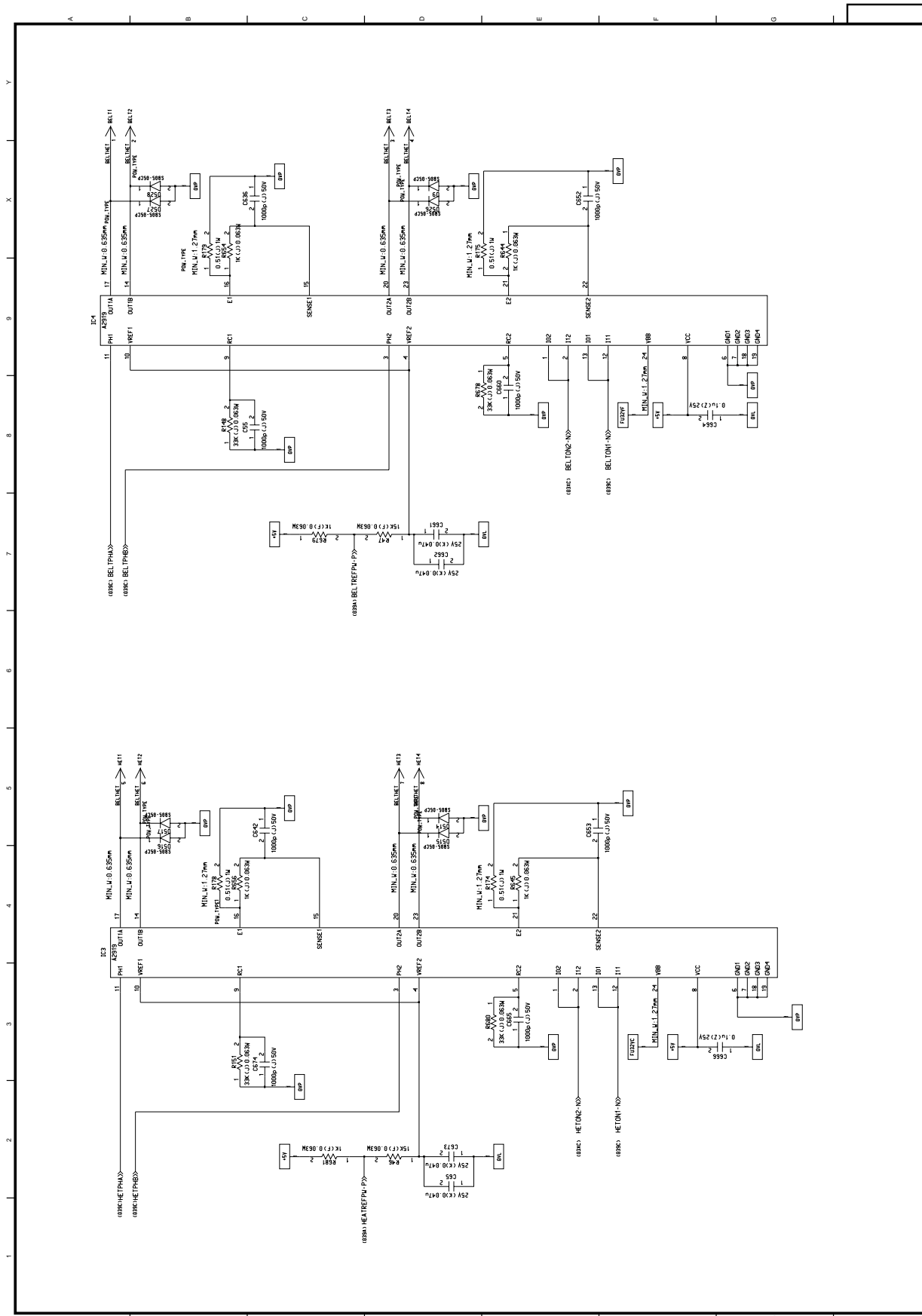


Figure 1-1 Print Engine Controller PWB (K7N Rev.4) (7/23)

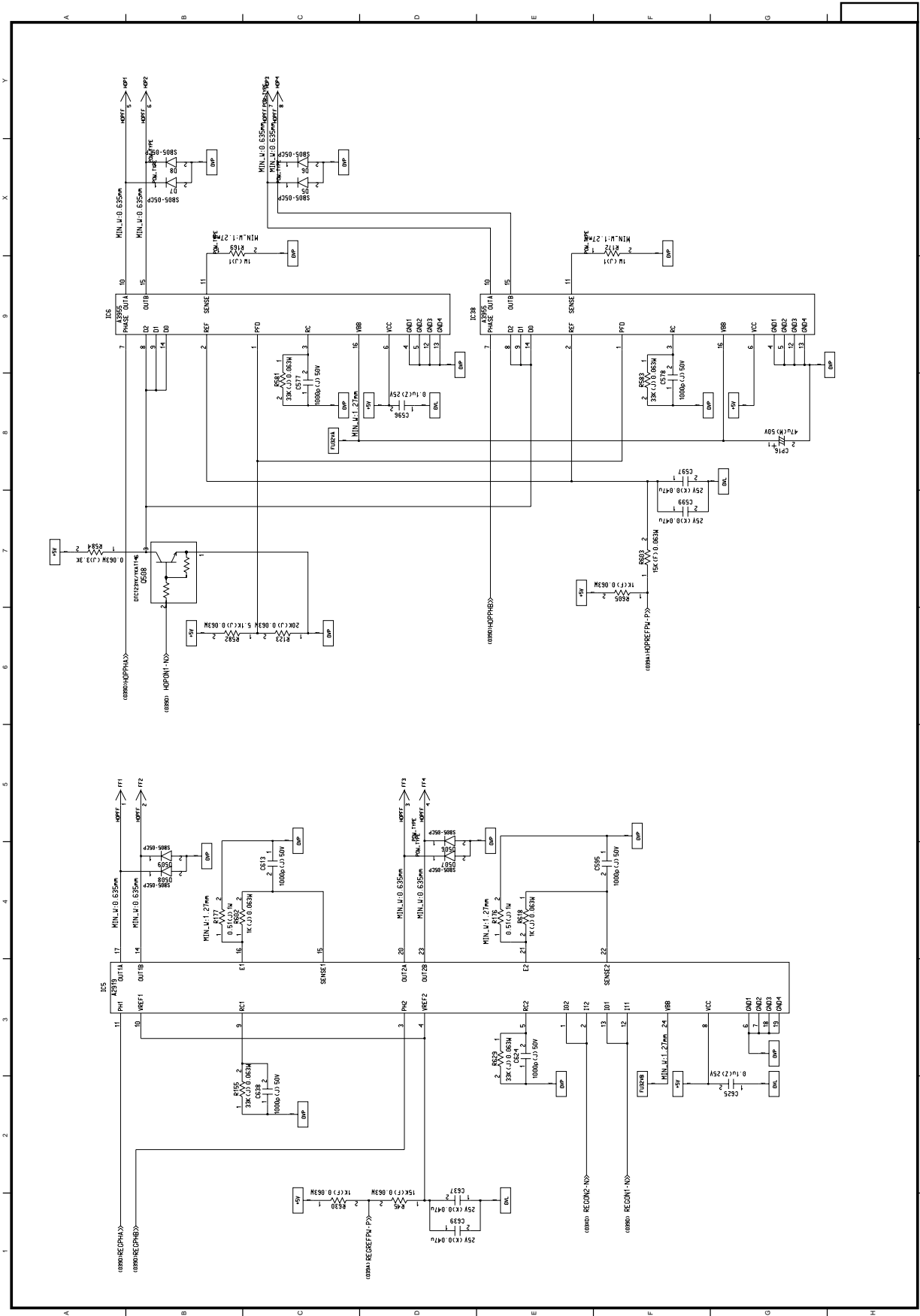


Figure 1-1 Print Engine Controller PWB (K7N Rev.4) (8/23)

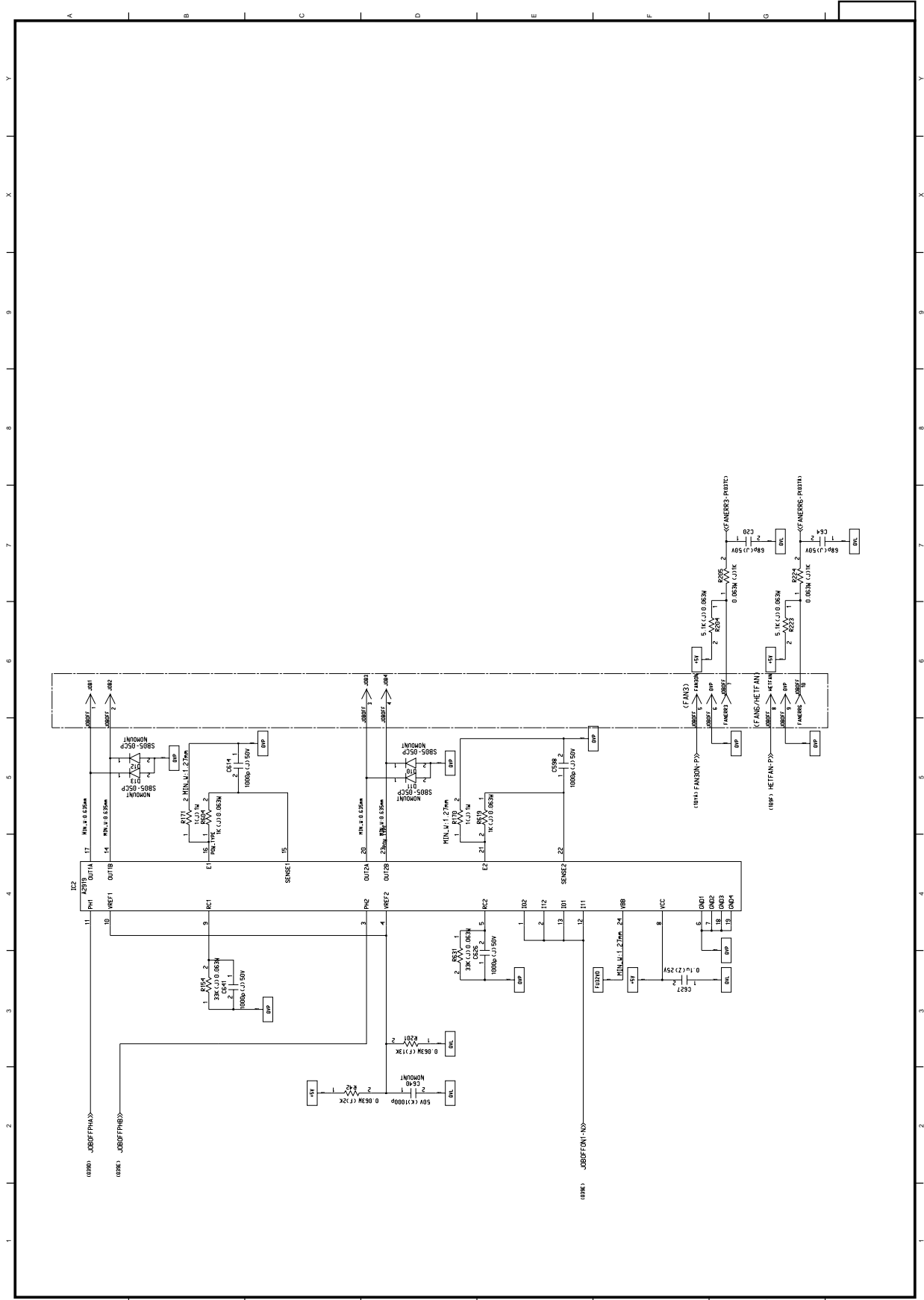


Figure 1-1 Print Engine Controller PWB (K7N Rev.4) (9/23)

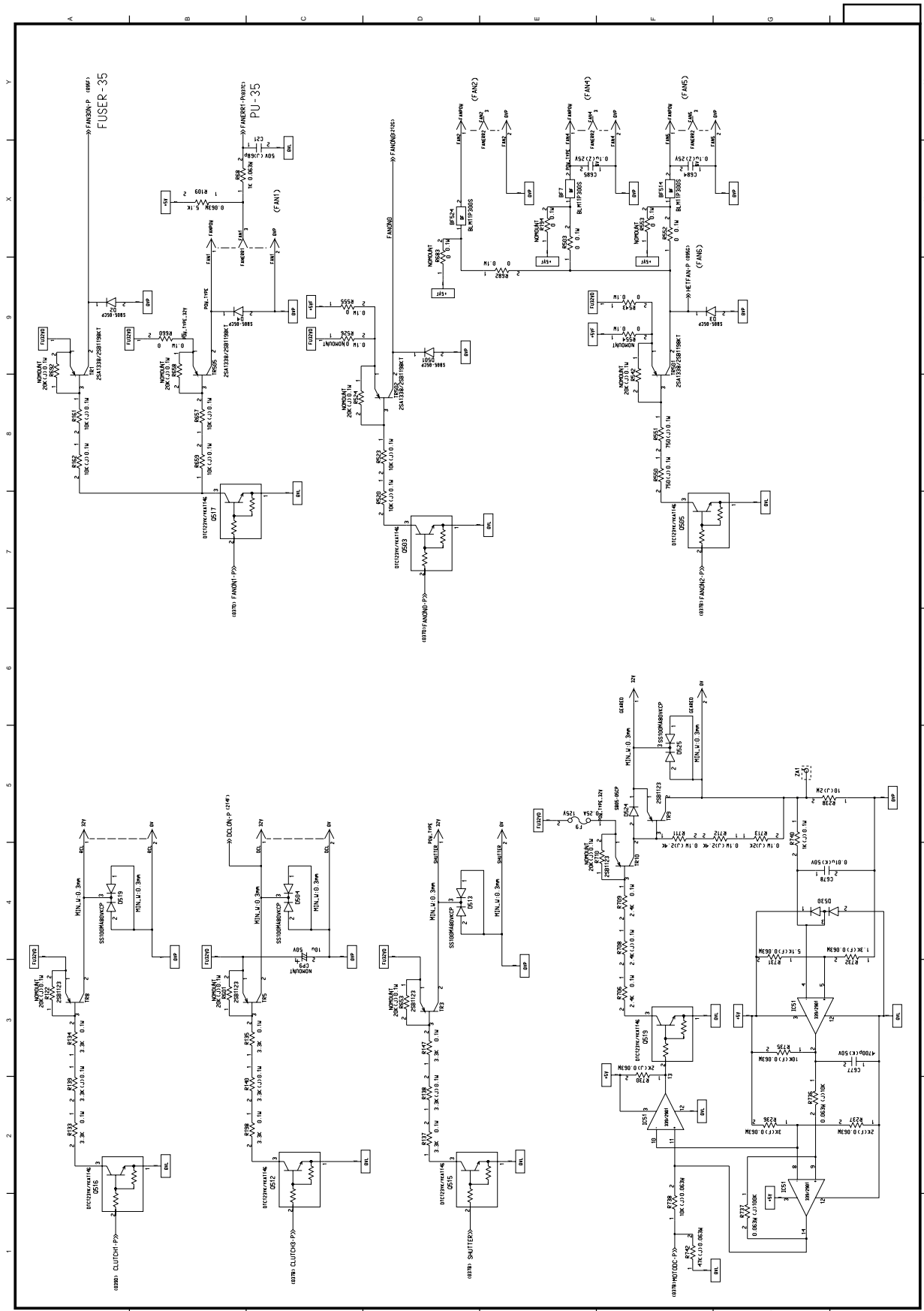


Figure 1-1 Print Engine Controller PWB (K7N Rev.4) (10/23)

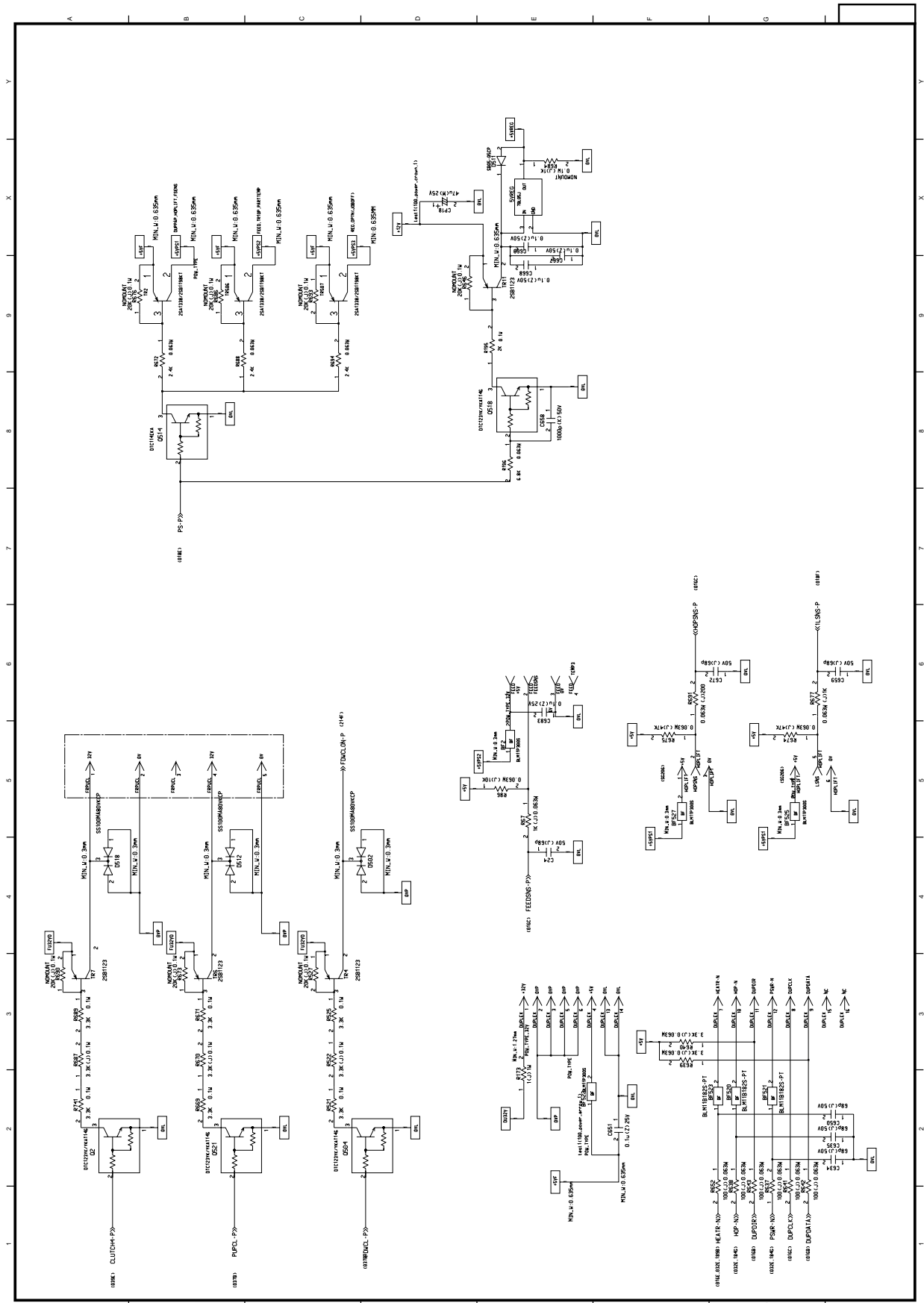


Figure 1-1 Print Engine Controller PWB (K7N Rev.4) (11/23)

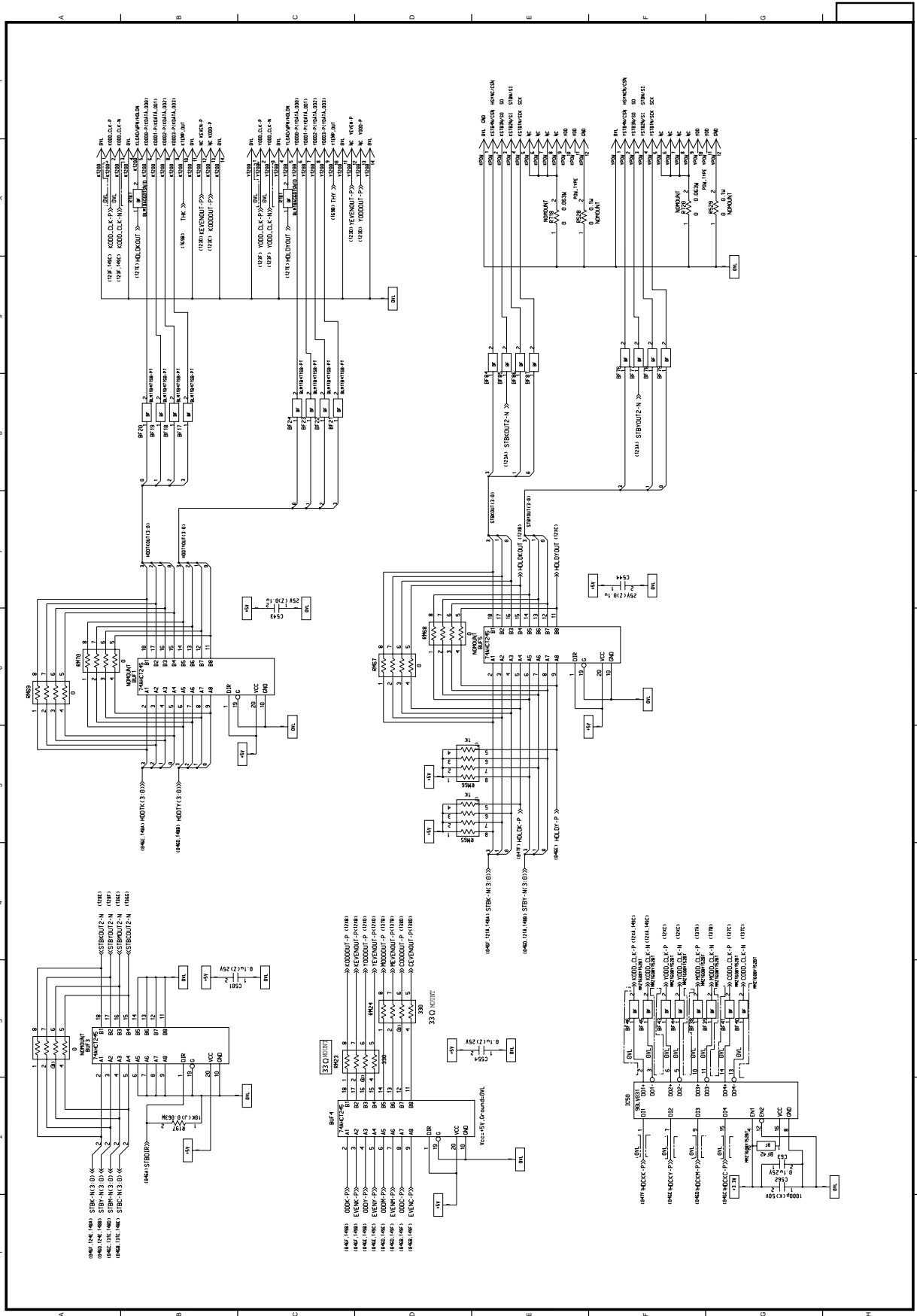


Figure 1-1 Print Engine Controller PWB (K7N Rev.4) (12/23)



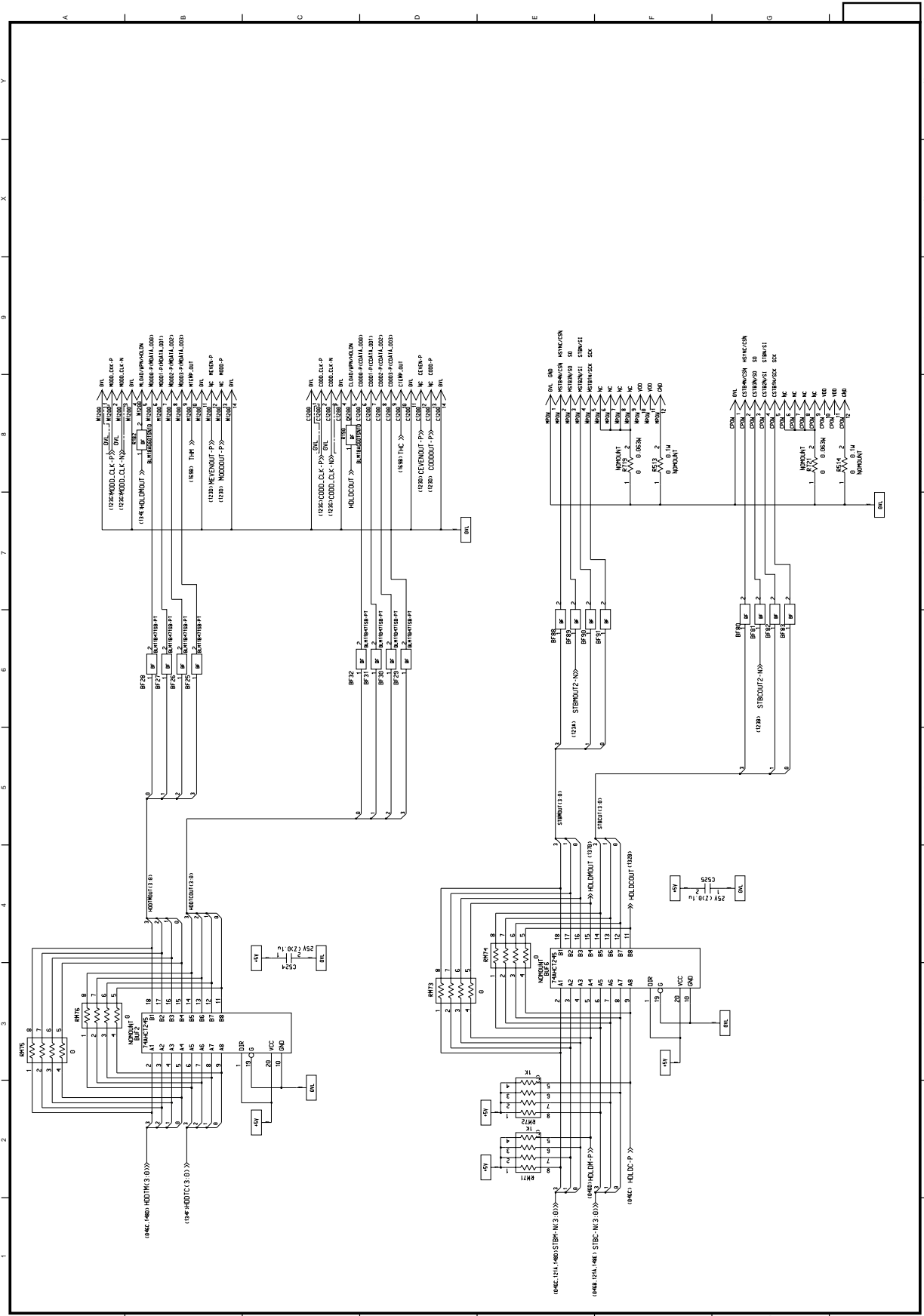


Figure 1-1 Print Engine Controller PWB (K7N Rev.4) (13/23)

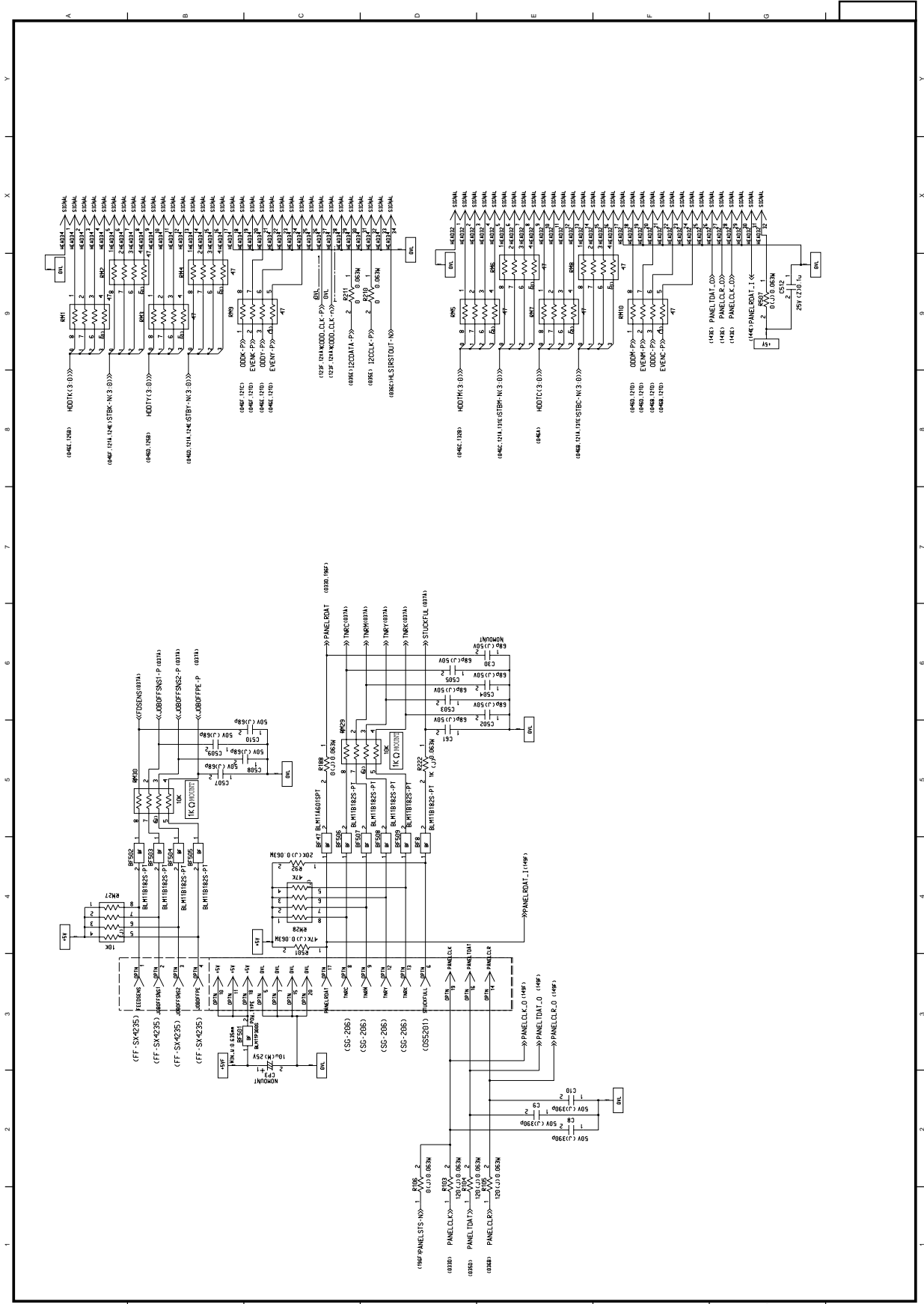


Figure 1-1 Print Engine Controller PWB (K7N Rev.4) (14/23)



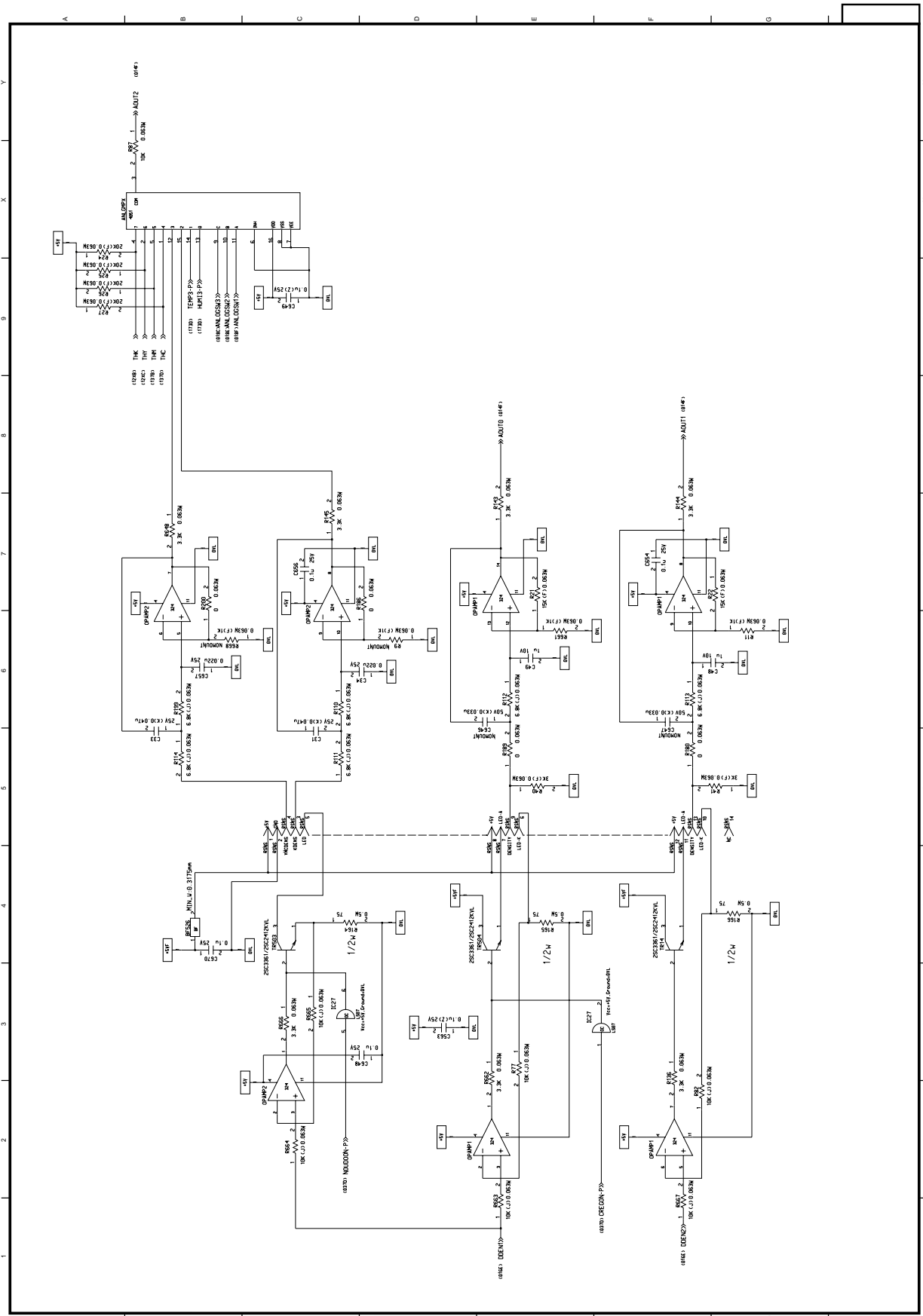


Figure 1-1 Print Engine Controller PWB (K7N Rev.4) (16/23)

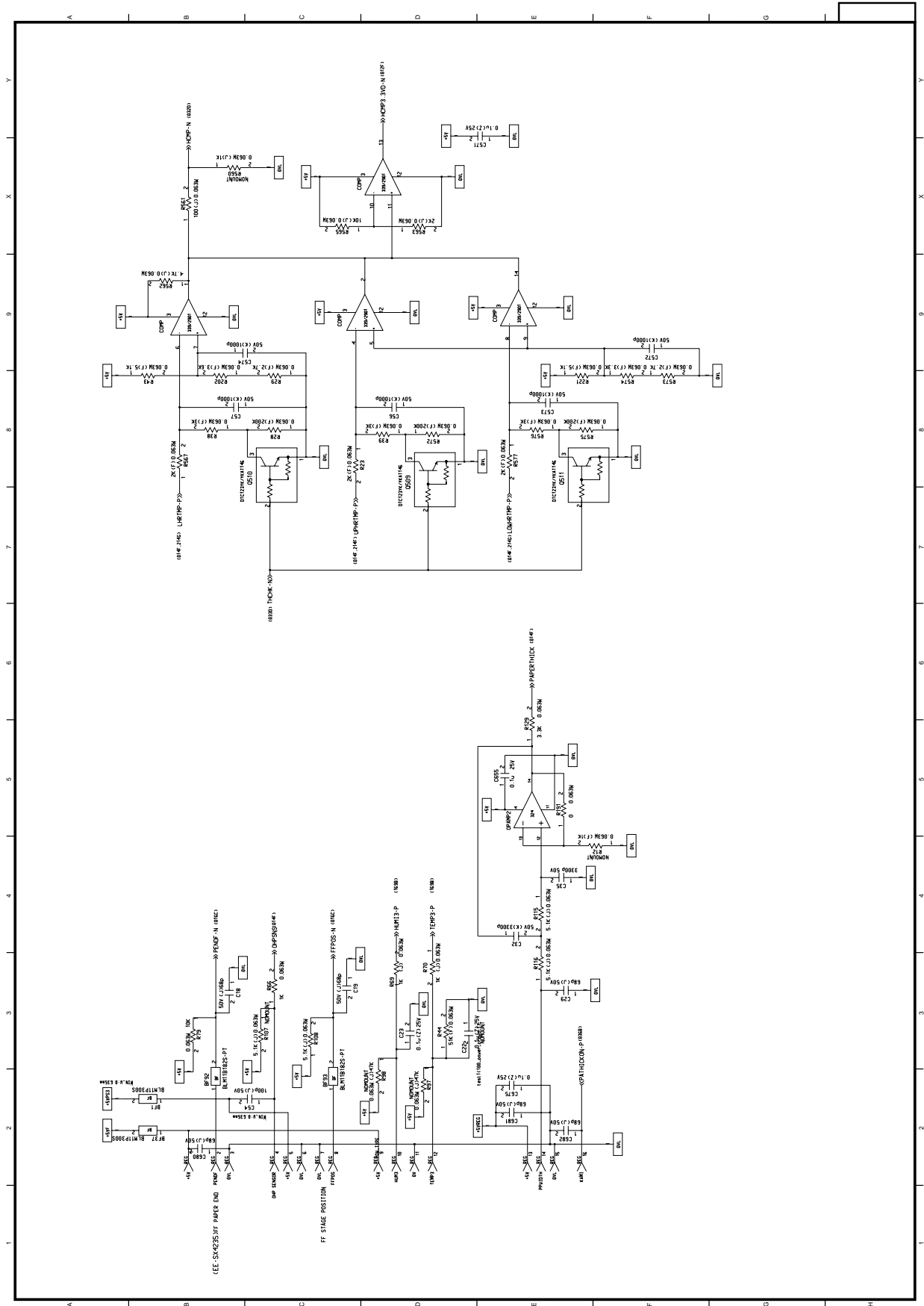


Figure 1-1 Print Engine Controller PWB (K7N Rev.4) (17/23)

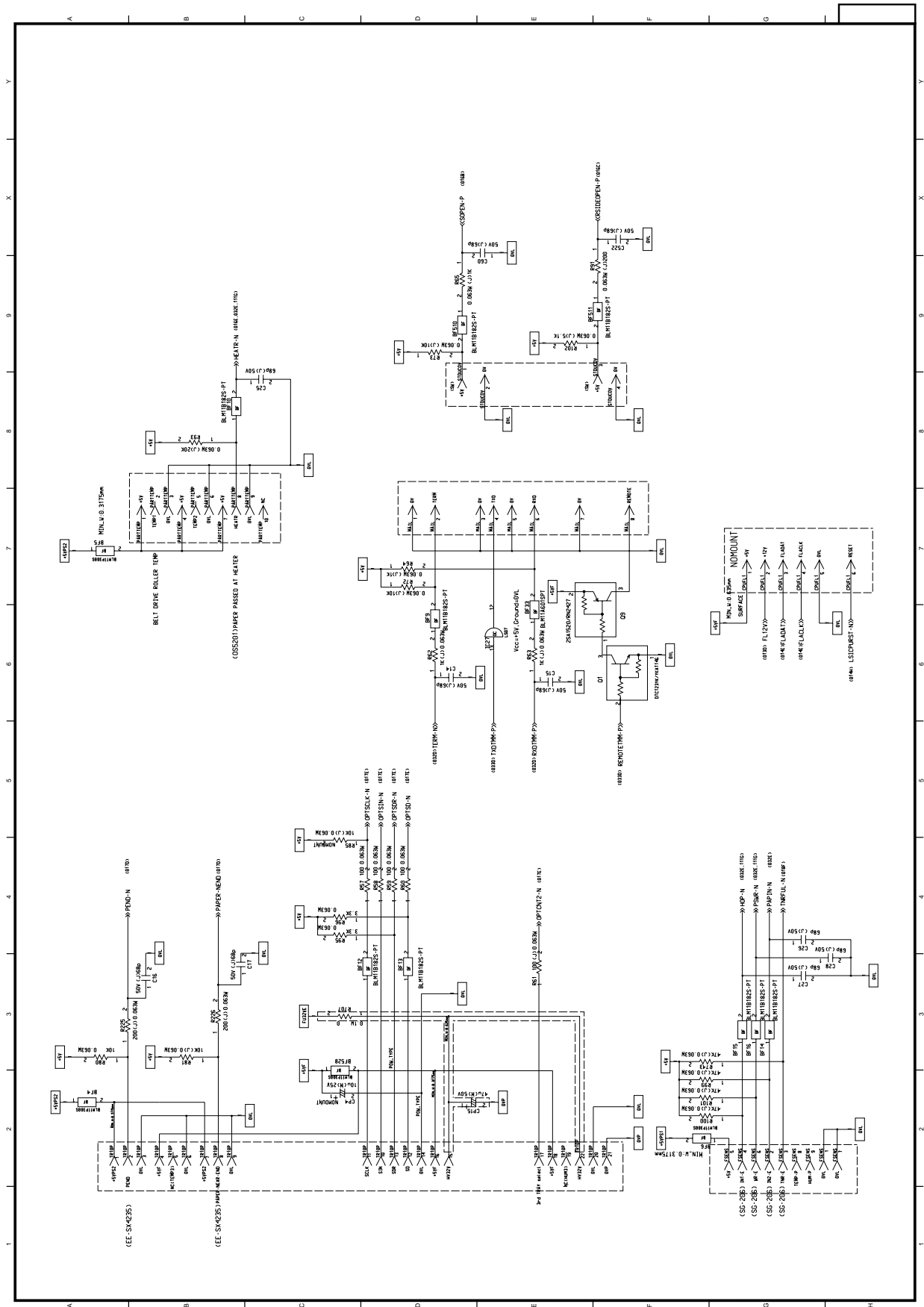


Figure 1-1 Print Engine Controller PWB (K7N Rev.4) (18/23)

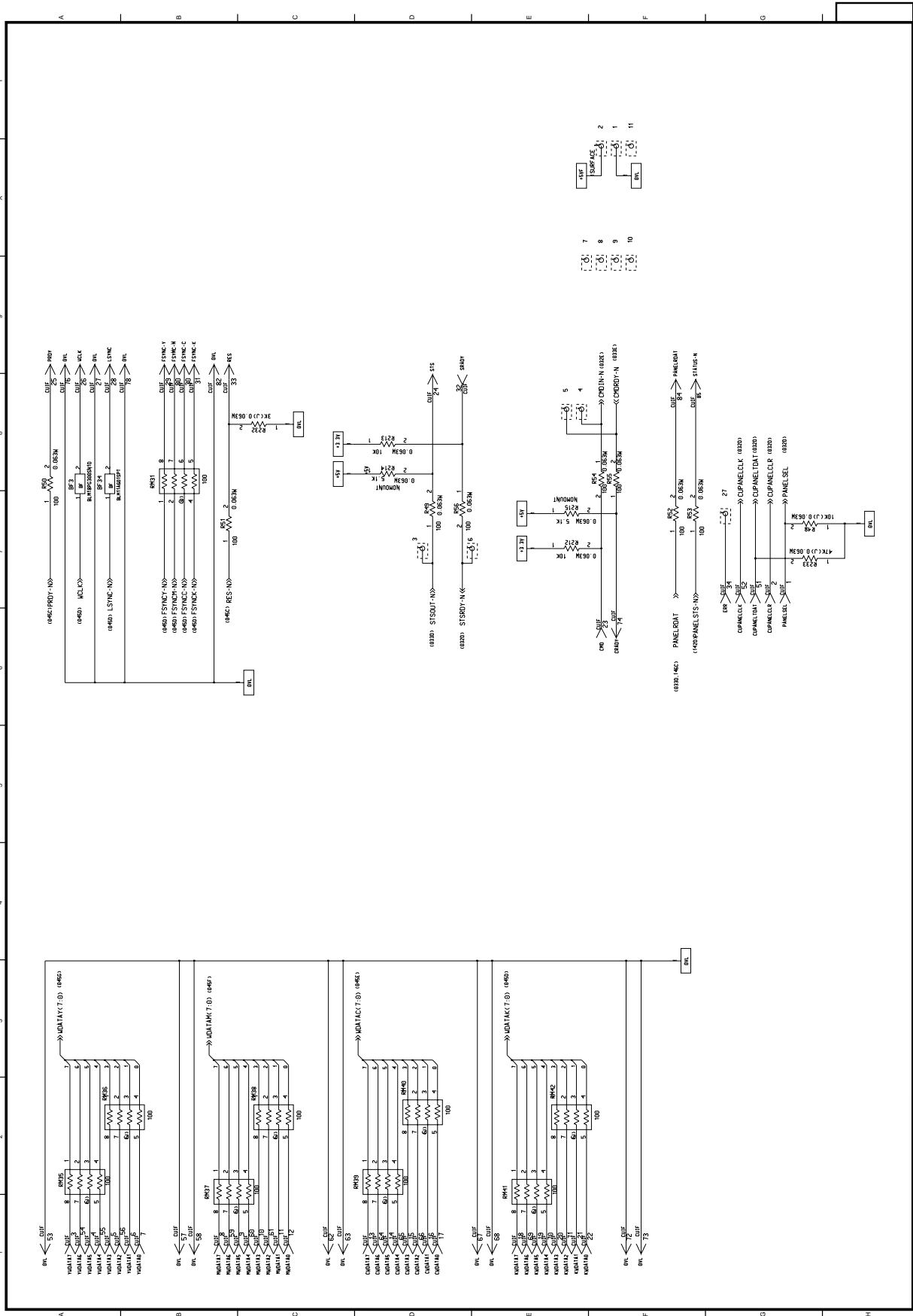


Figure 1-1 Print Engine Controller PWB (K7N Rev.4) (19/23)

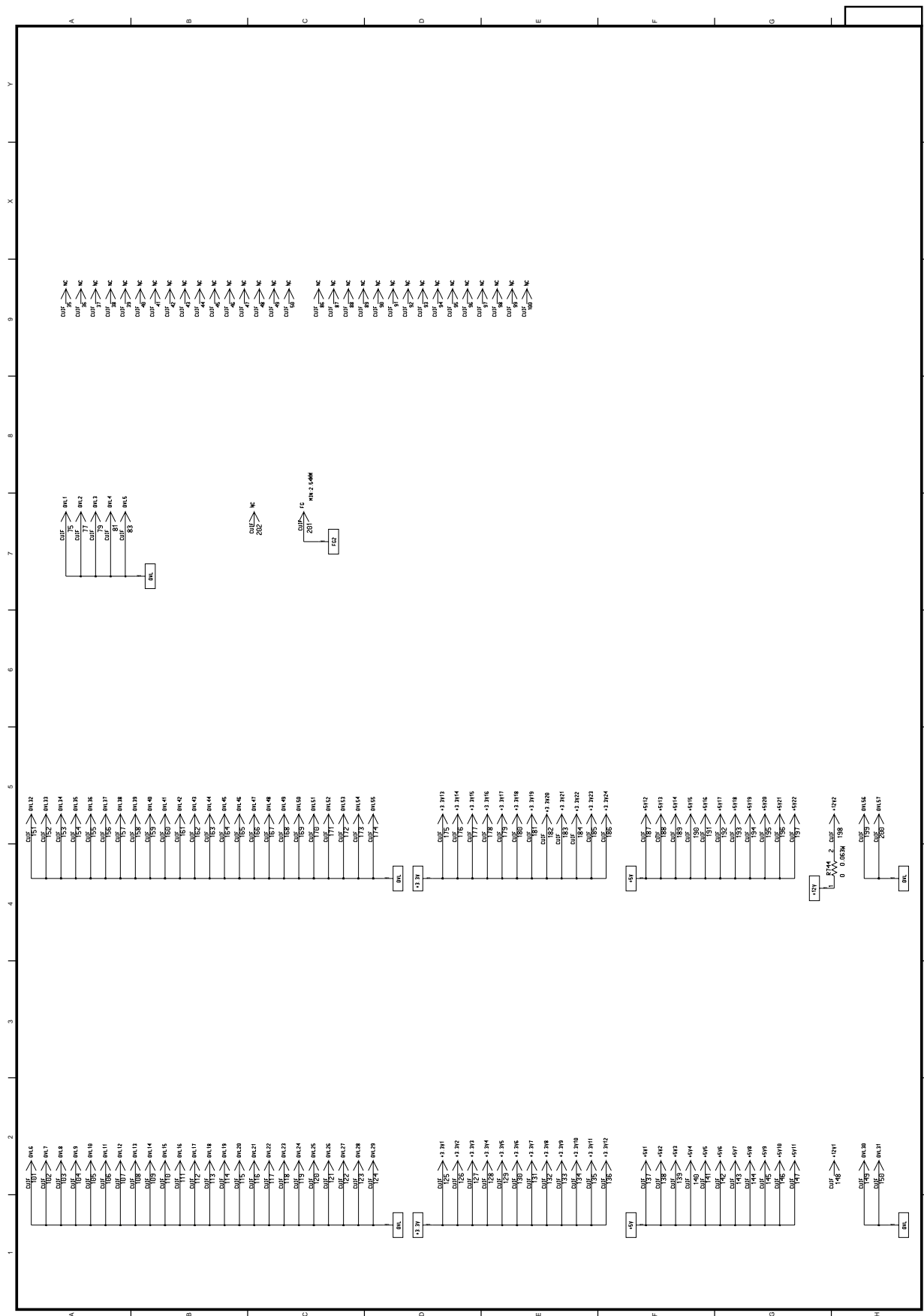


Figure 1-1 Print Engine Controller PWB (K7N Rev.4) (20/23)



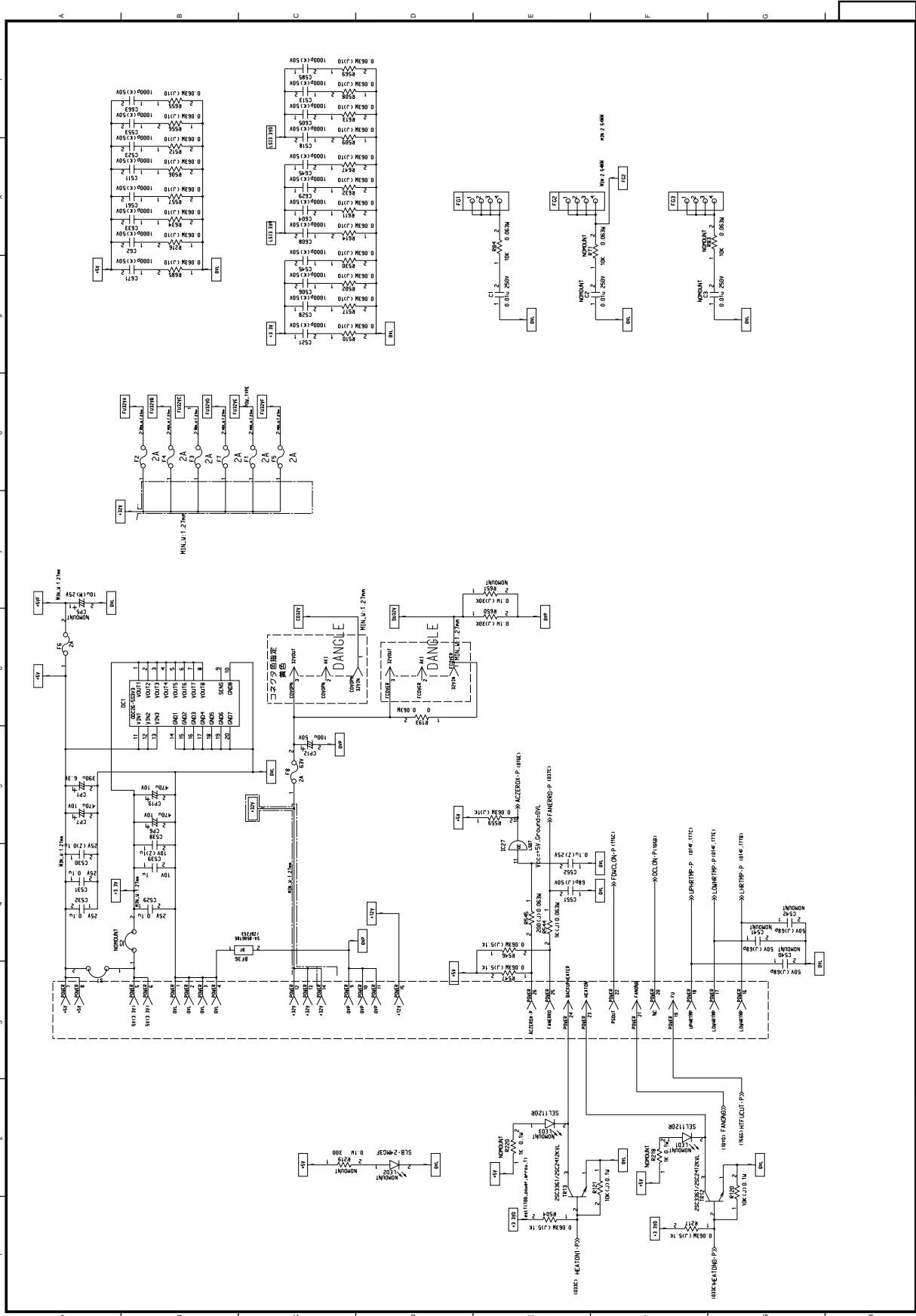


Figure 1-1 Print Engine Controller PWB (K7N Rev.4) (21/23)



Figure 1-1 Print Engine Controller PWB (K7N Rev.4) (22/23)



Figure 1-1 Print Engine Controller PWB (K7N Rev.4) (23/23)

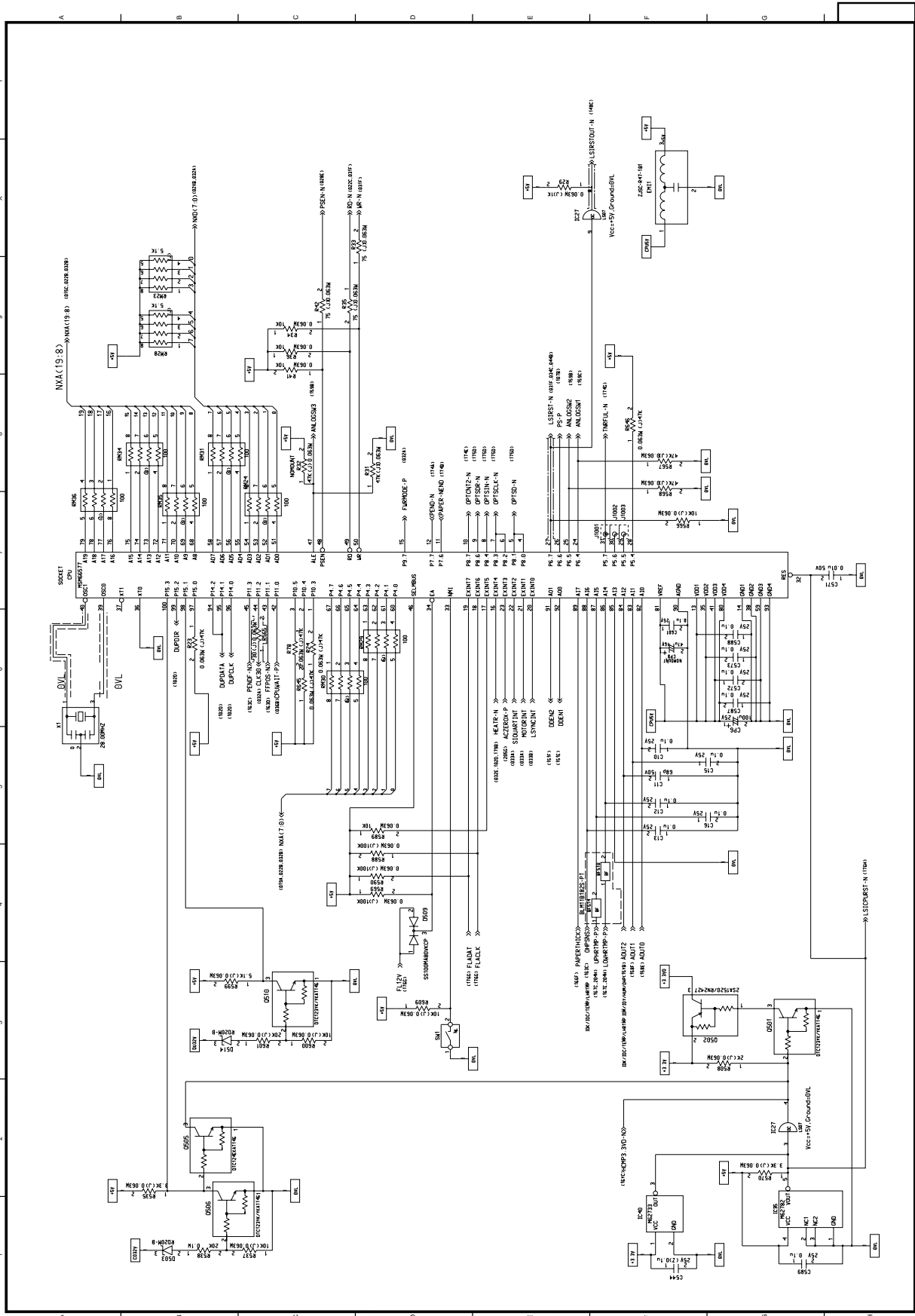


Figure 1-2 Print Engine Controller PWB (K7V Rev.3 C7300/C7100) (1/20)

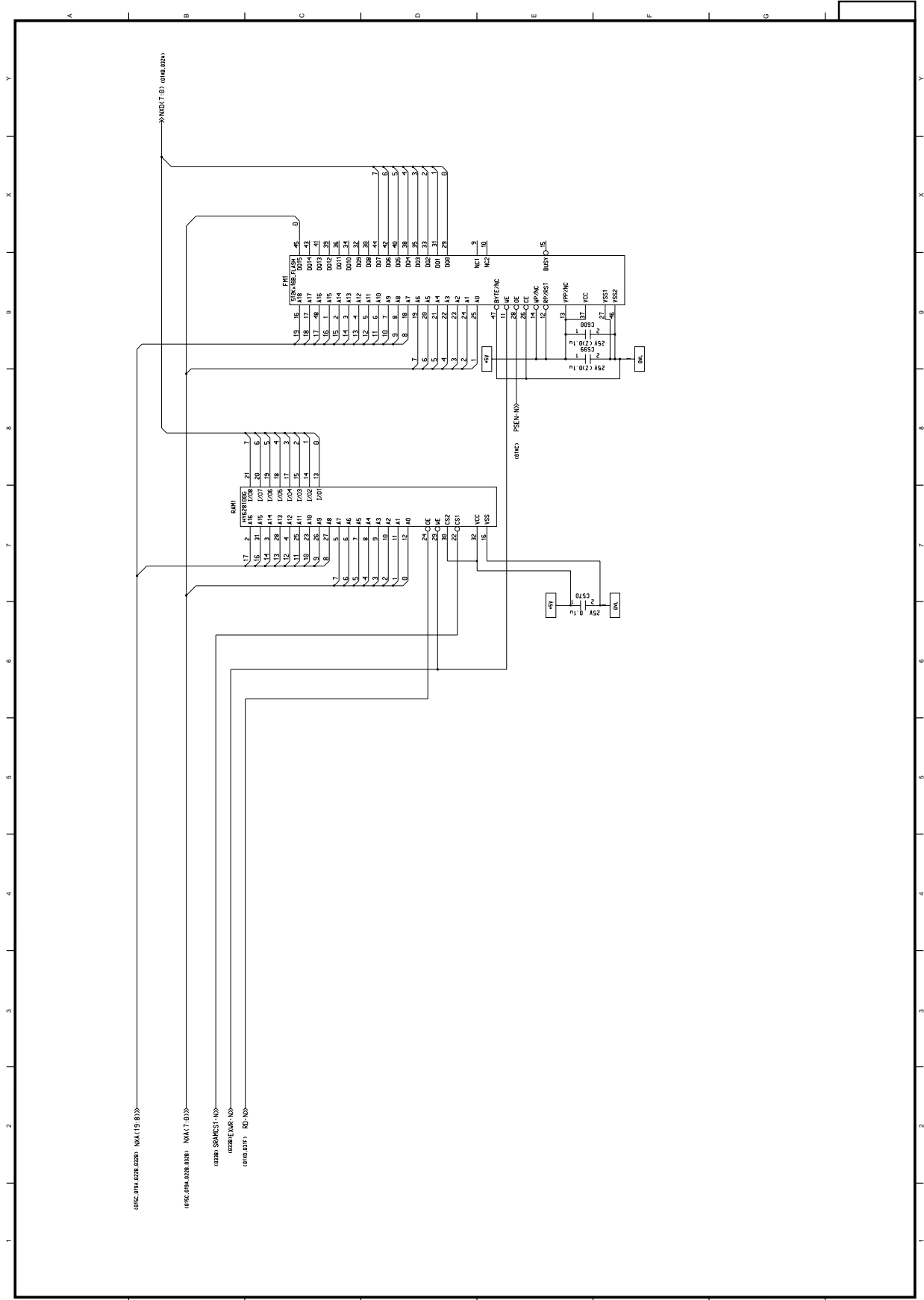


Figure 1-2 Print Engine Controller PWB (K7V Rev.3 C7300/C7100) (2/20)

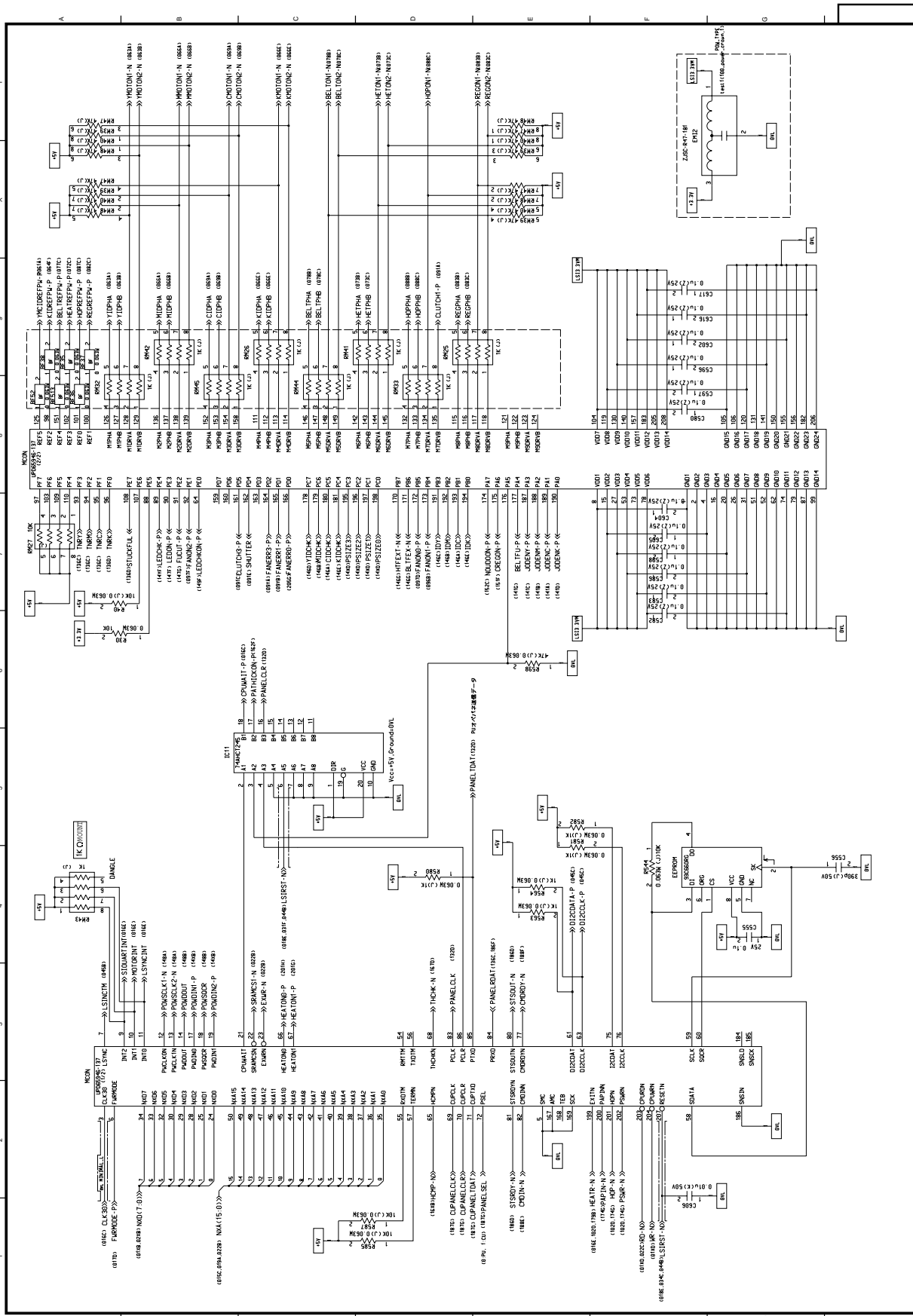


Figure 1-2 Print Engine Controller PWB (K7V Rev.3 C7300/C7100) (3/20)

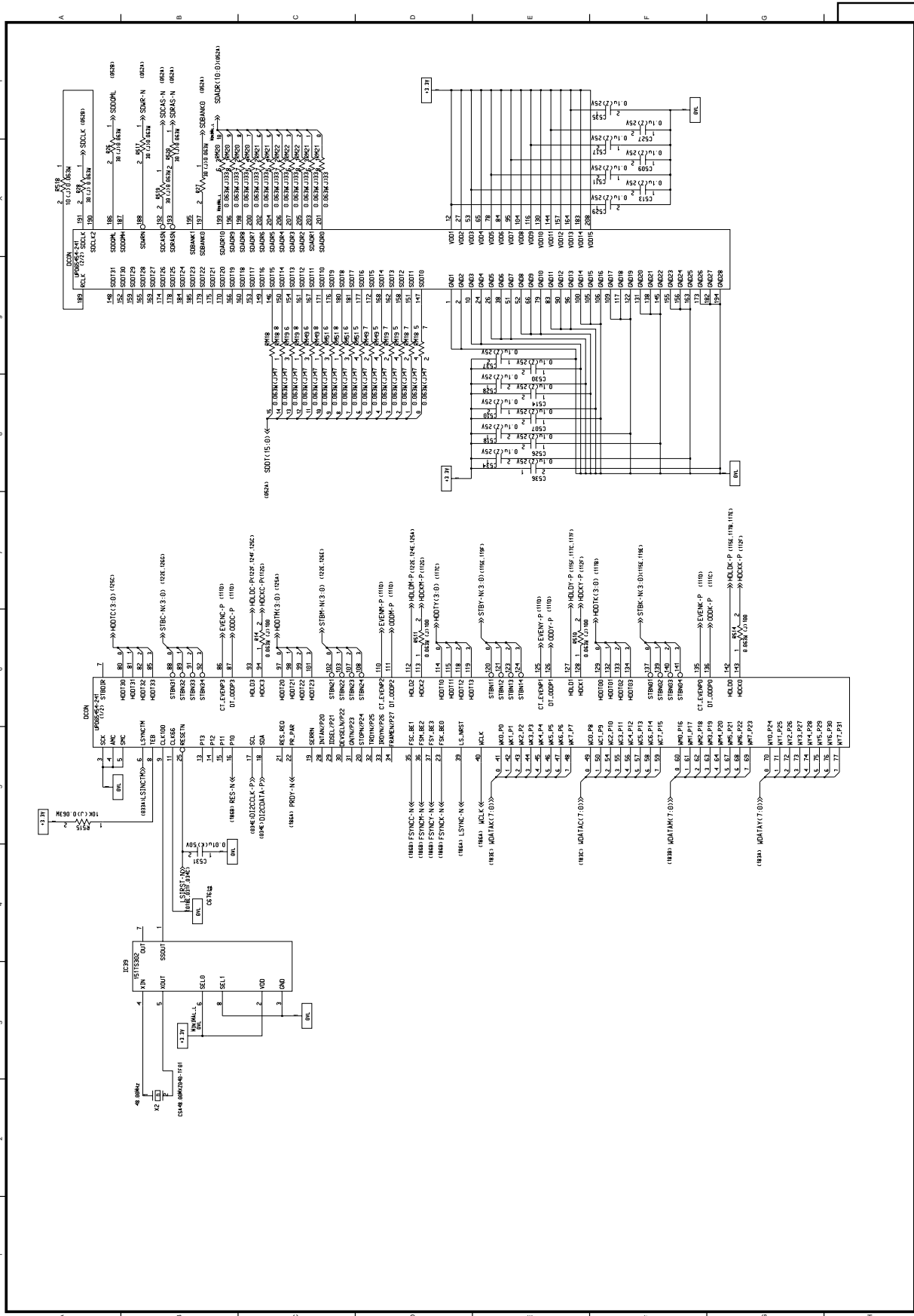


Figure 1-2 Print Engine Controller PWB (K7V Rev.3 C7300/C7100) (4/20)

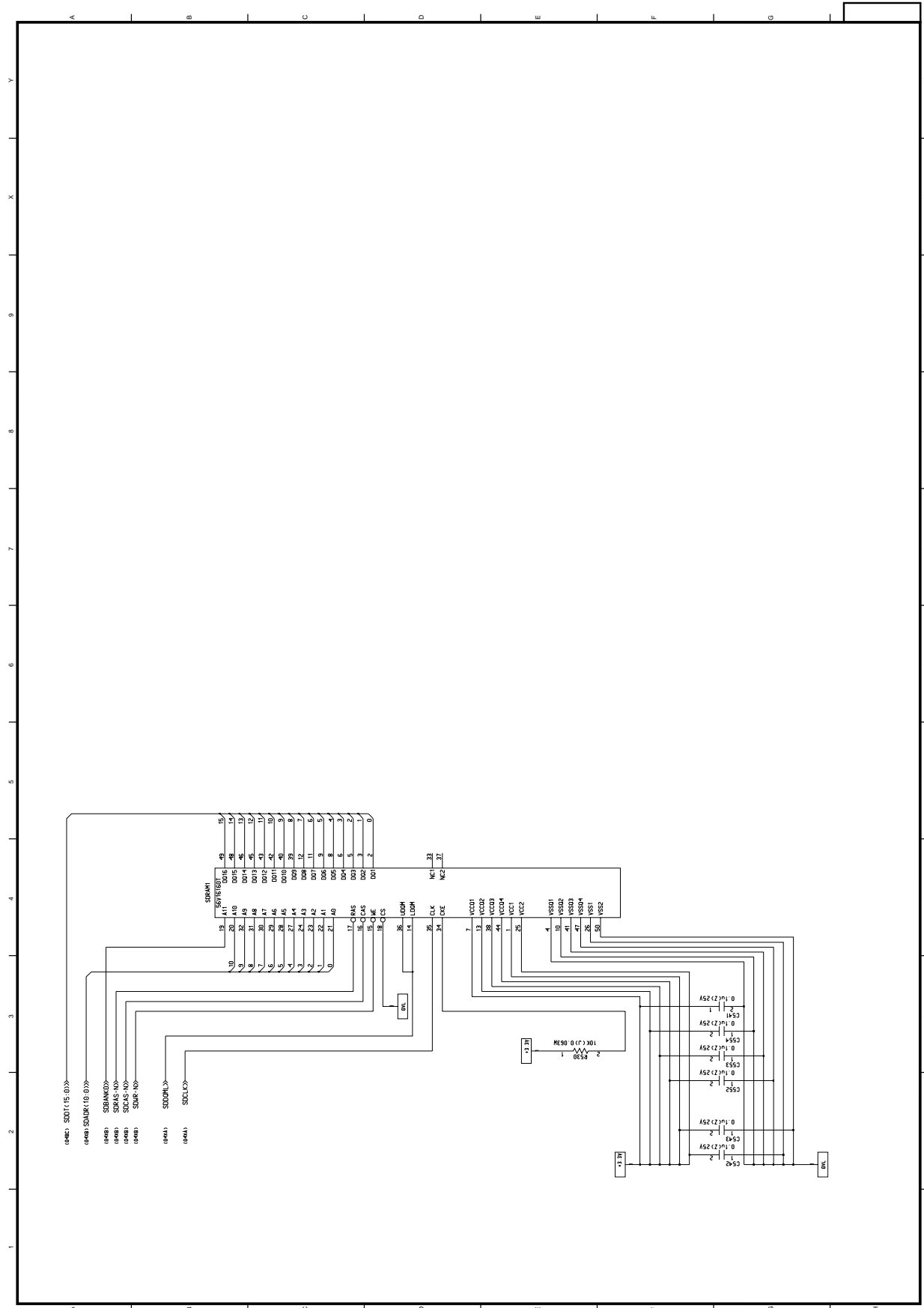
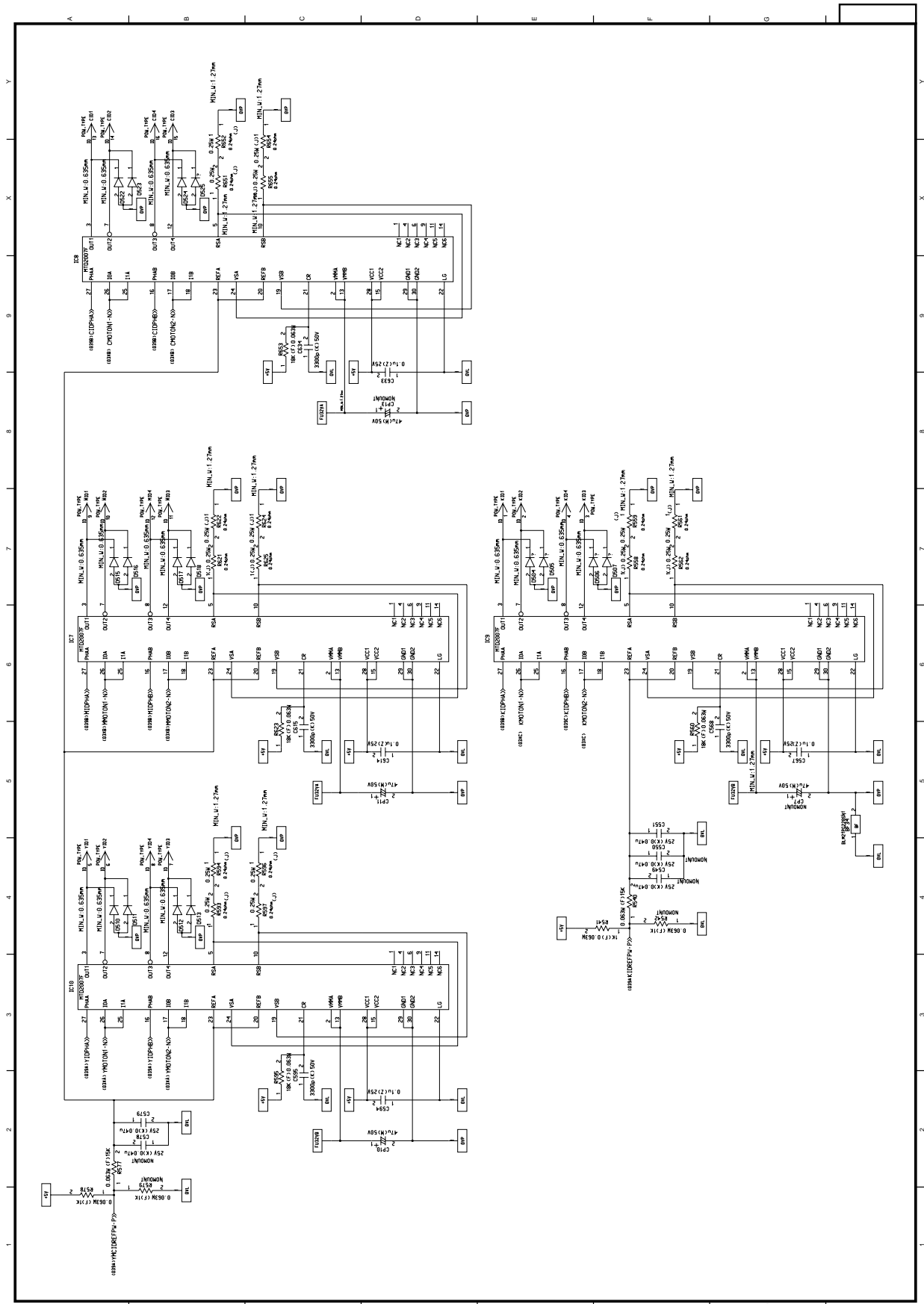


Figure 1-2 Print Engine Controller PWB (K7V Rev.3 C7300/C7100) (5/20)





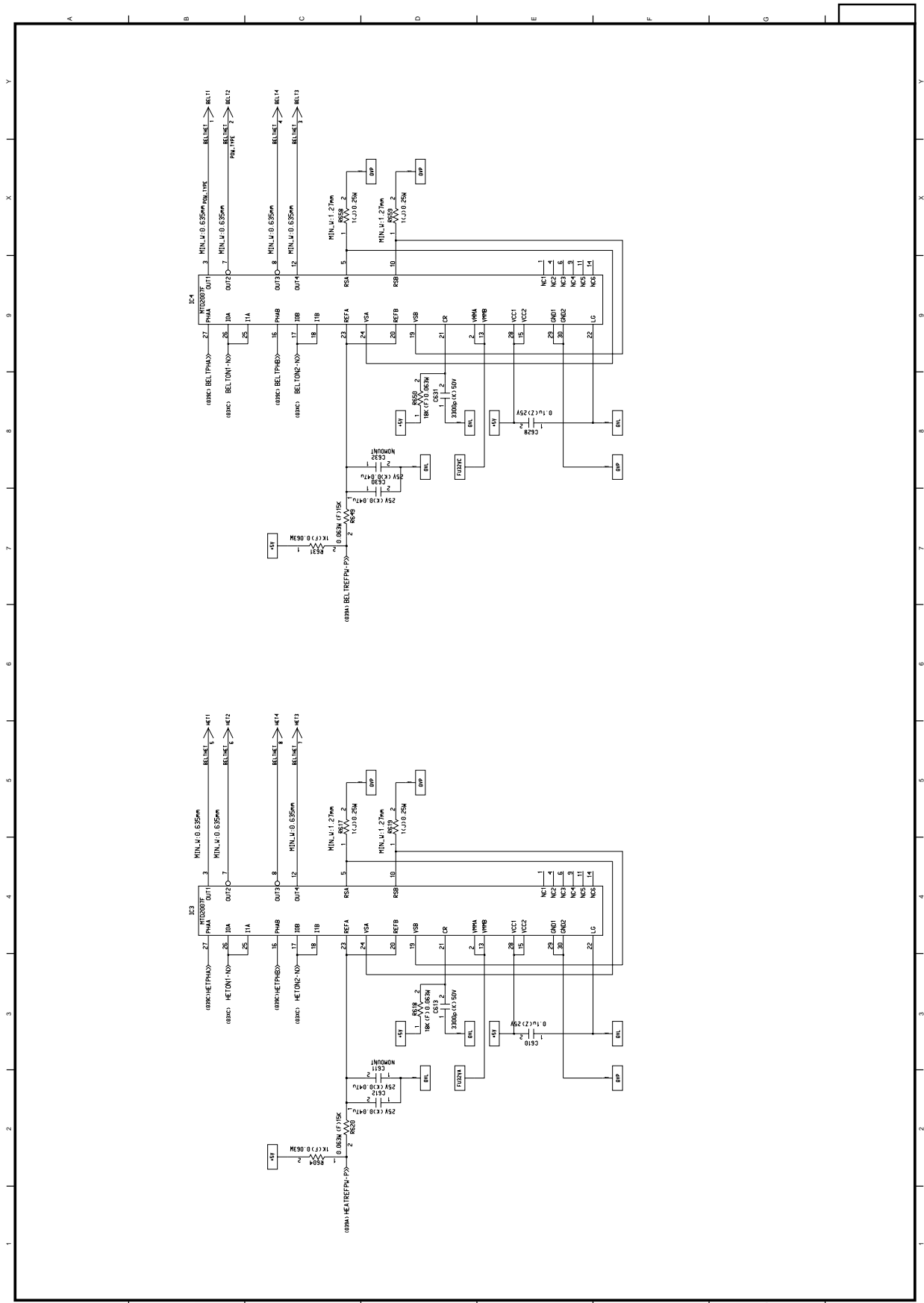


Figure 1-2 Print Engine Controller PWB (K7V Rev.3 C7300/C7100) (7/20)

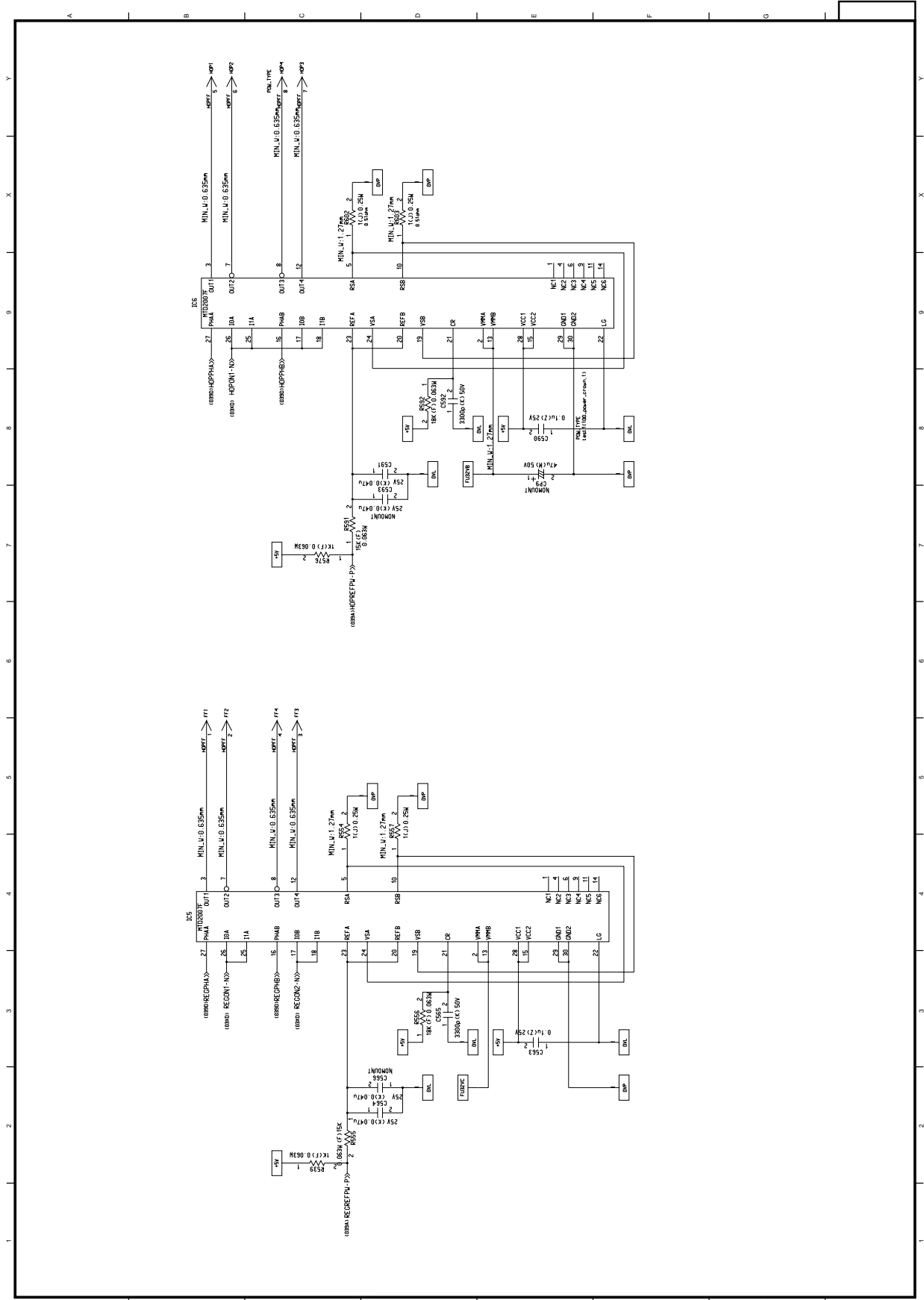


Figure 1-2 Print Engine Controller PWB (K7V Rev.3 C7300/C7100) (8/20)

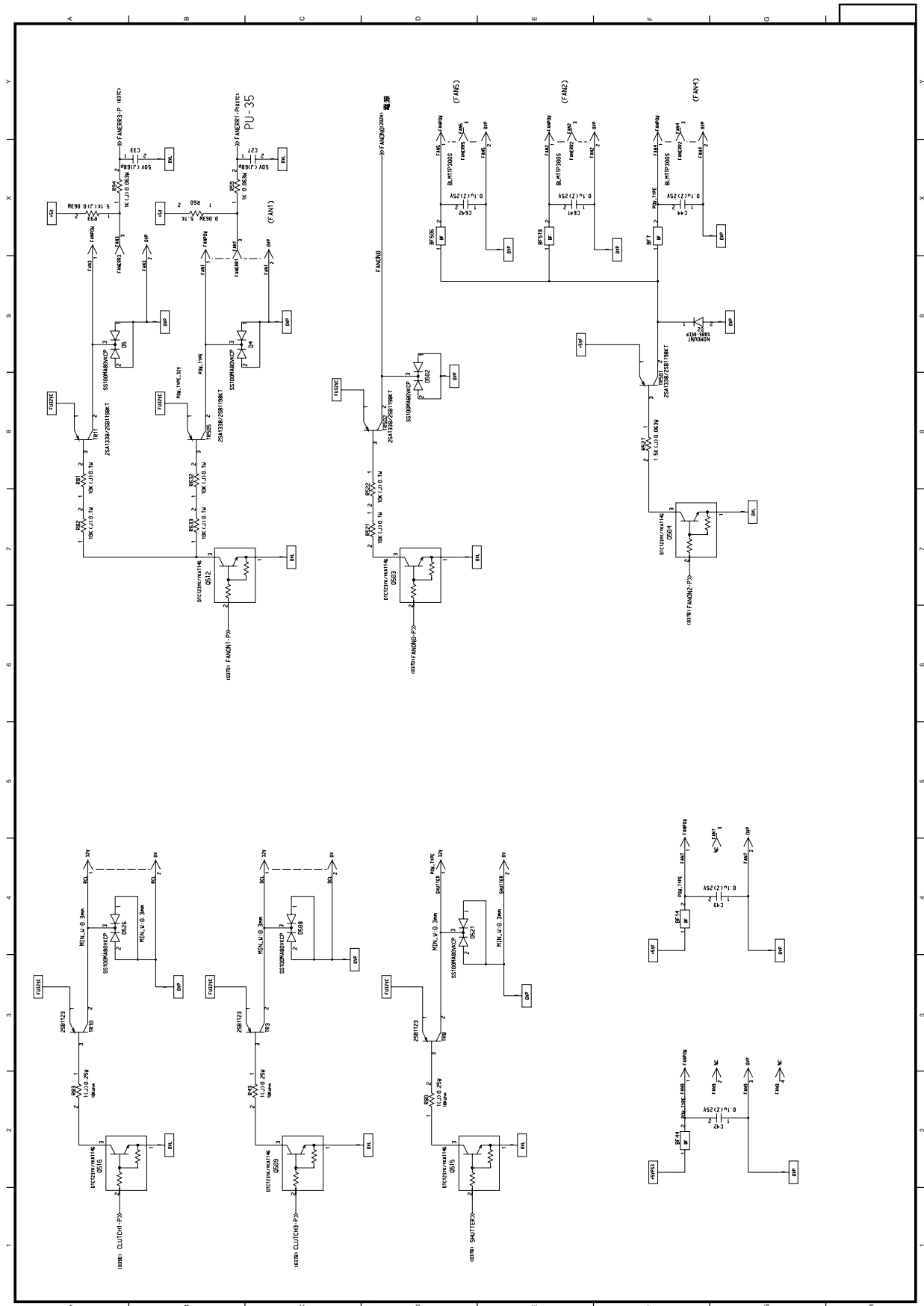


Figure 1-2 Print Engine Controller PWB (K7V Rev.3 C7300/C7100) (9/20)

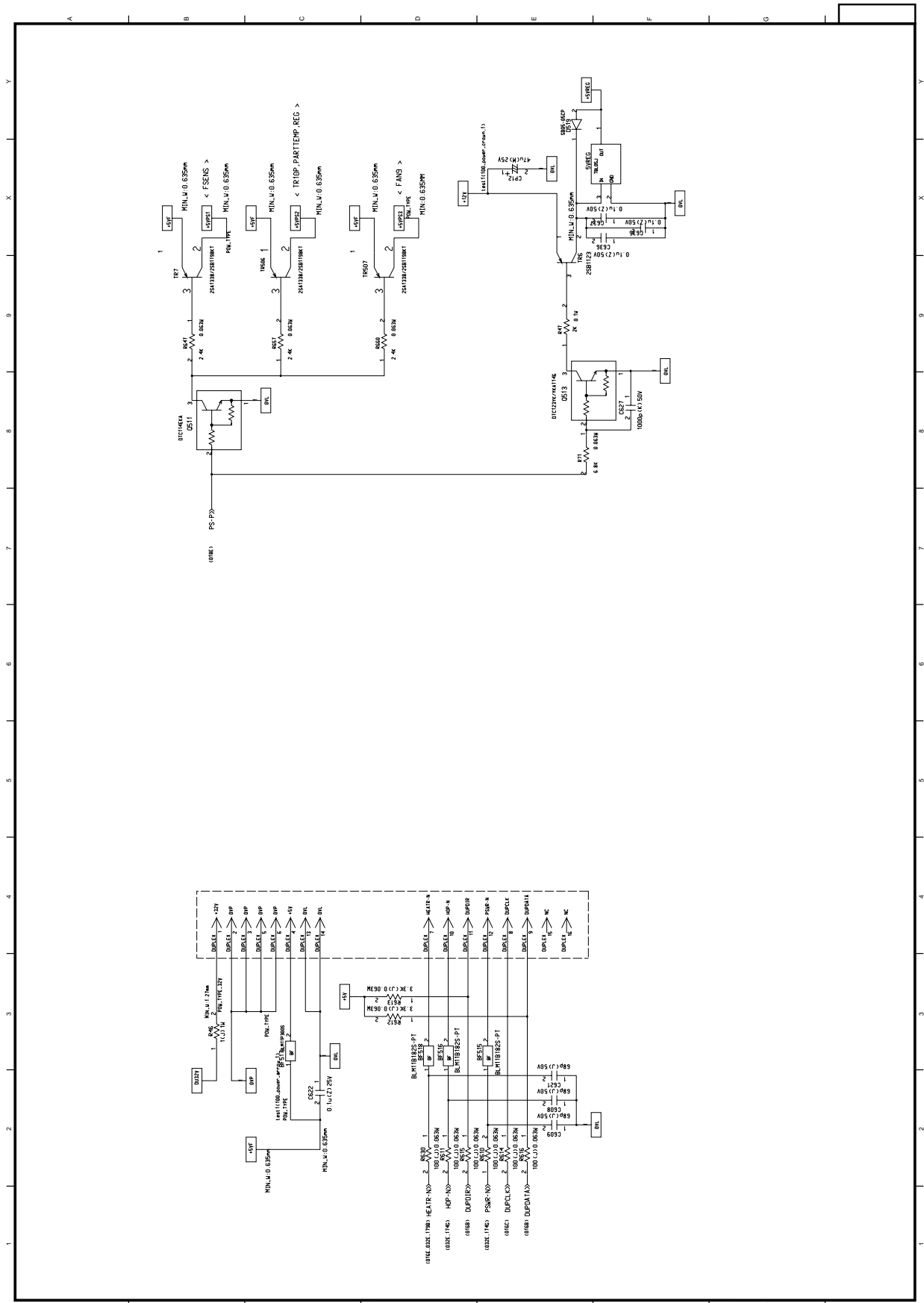


Figure 1-2 Print Engine Controller PWB (K7V Rev.3 C7300/C7100) (10/20)

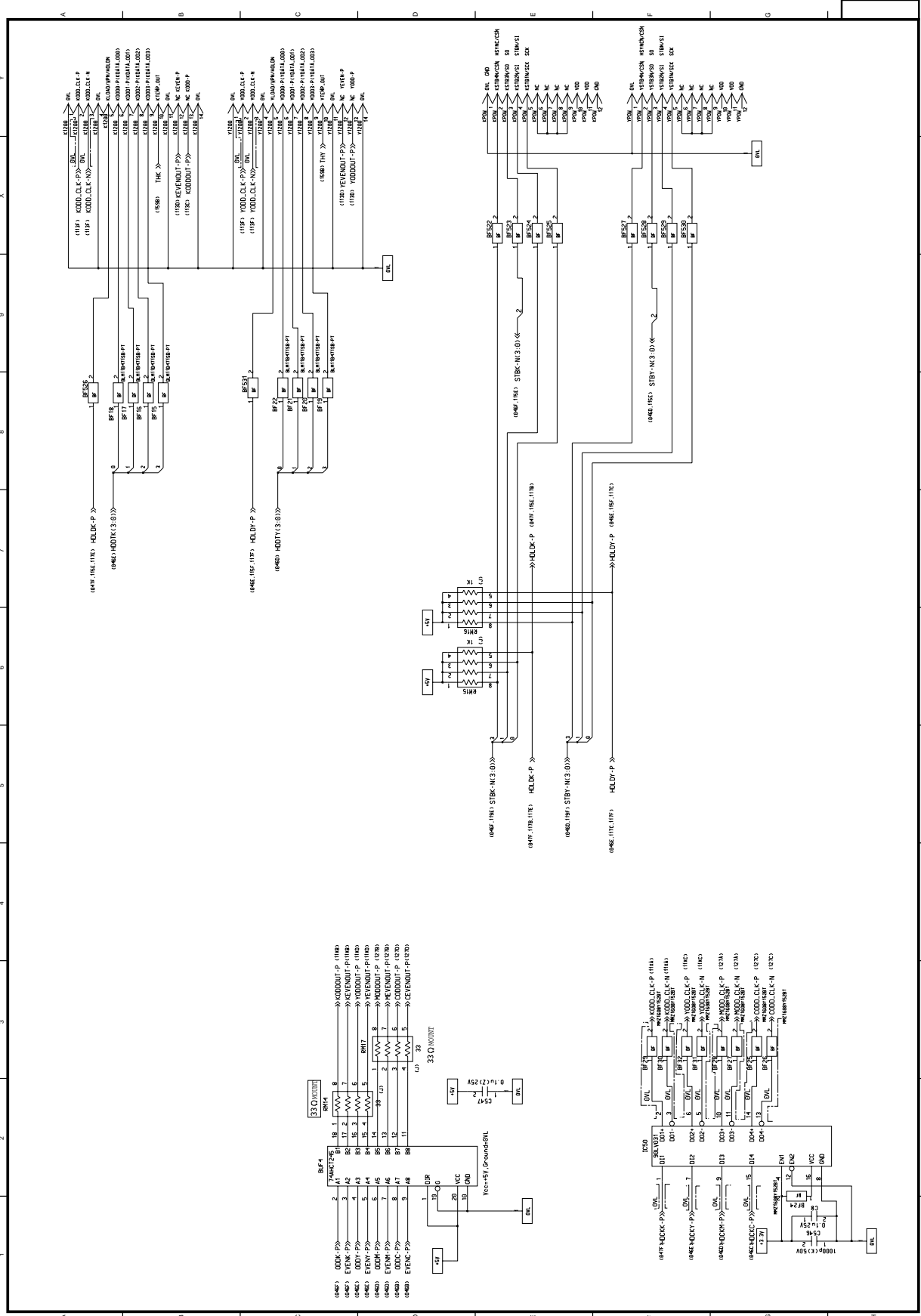


Figure 1-2 Print Engine Controller PWB (K7V Rev.3 C7300/C7100) (11/20)

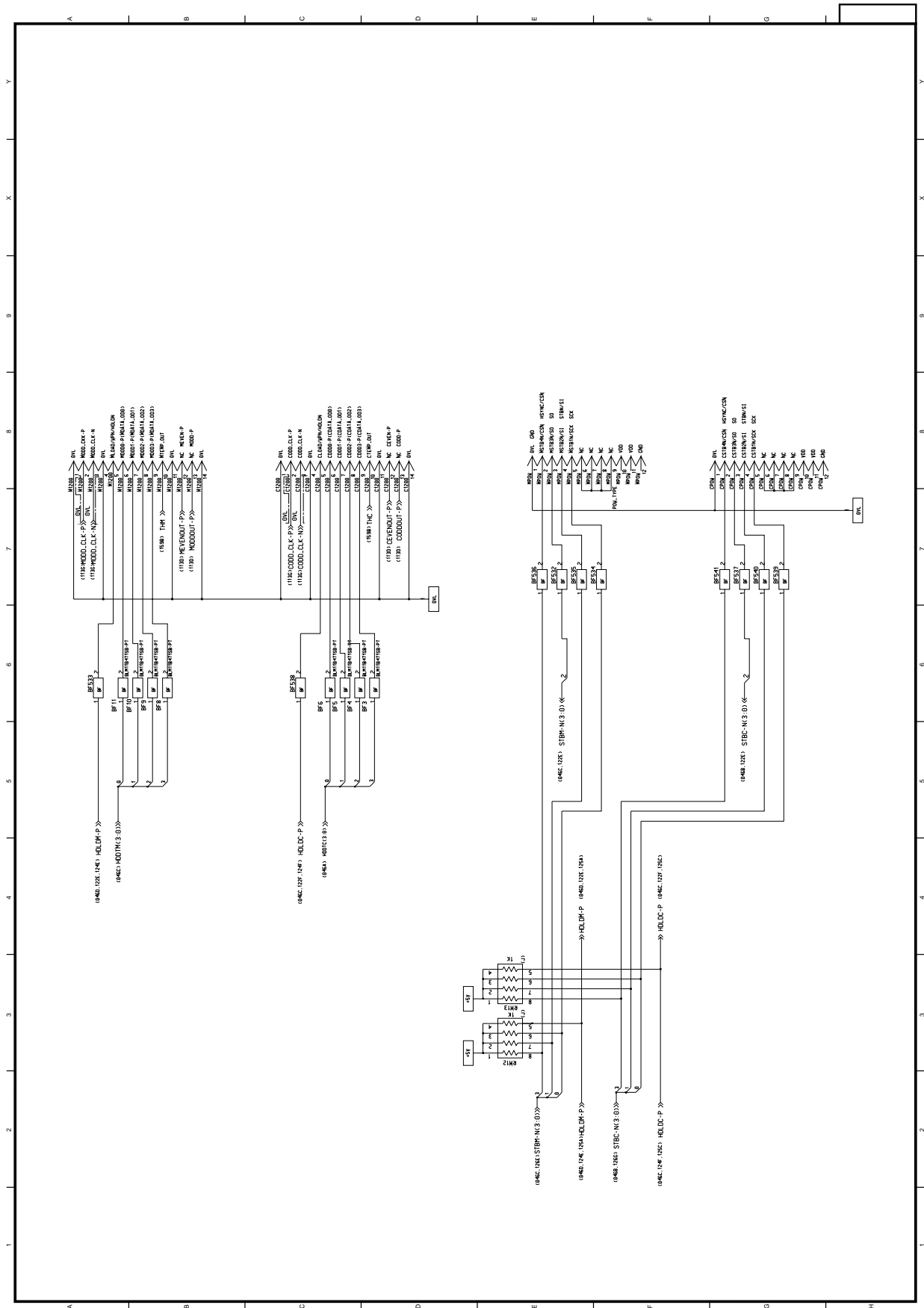


Figure 1-2 Print Engine Controller PWB (K7V Rev.3 C7300/C7100) (12/20)





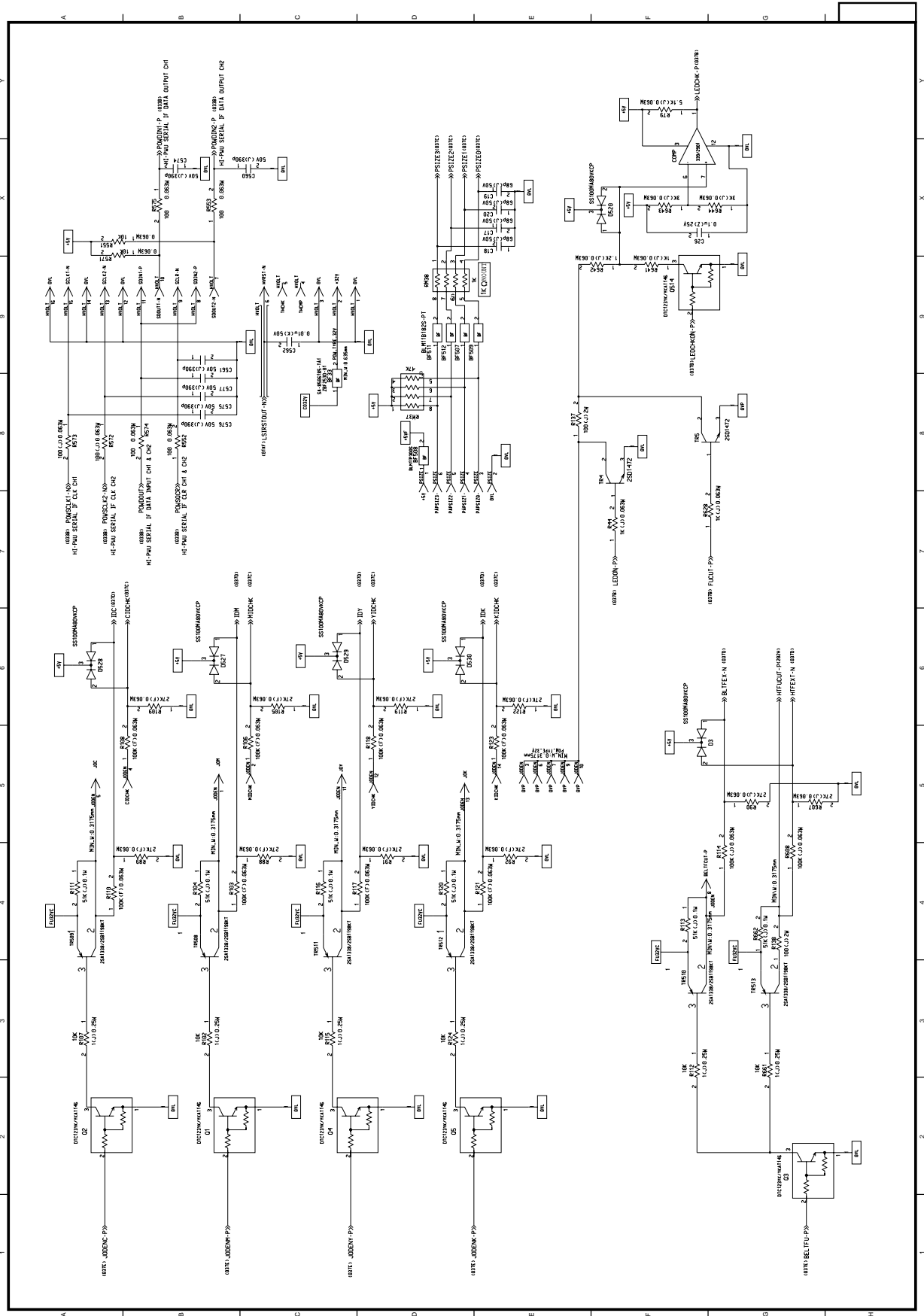


Figure 1-2 Print Engine Controller PWB (K7V Rev.3 C7300/C7100) (14/20)



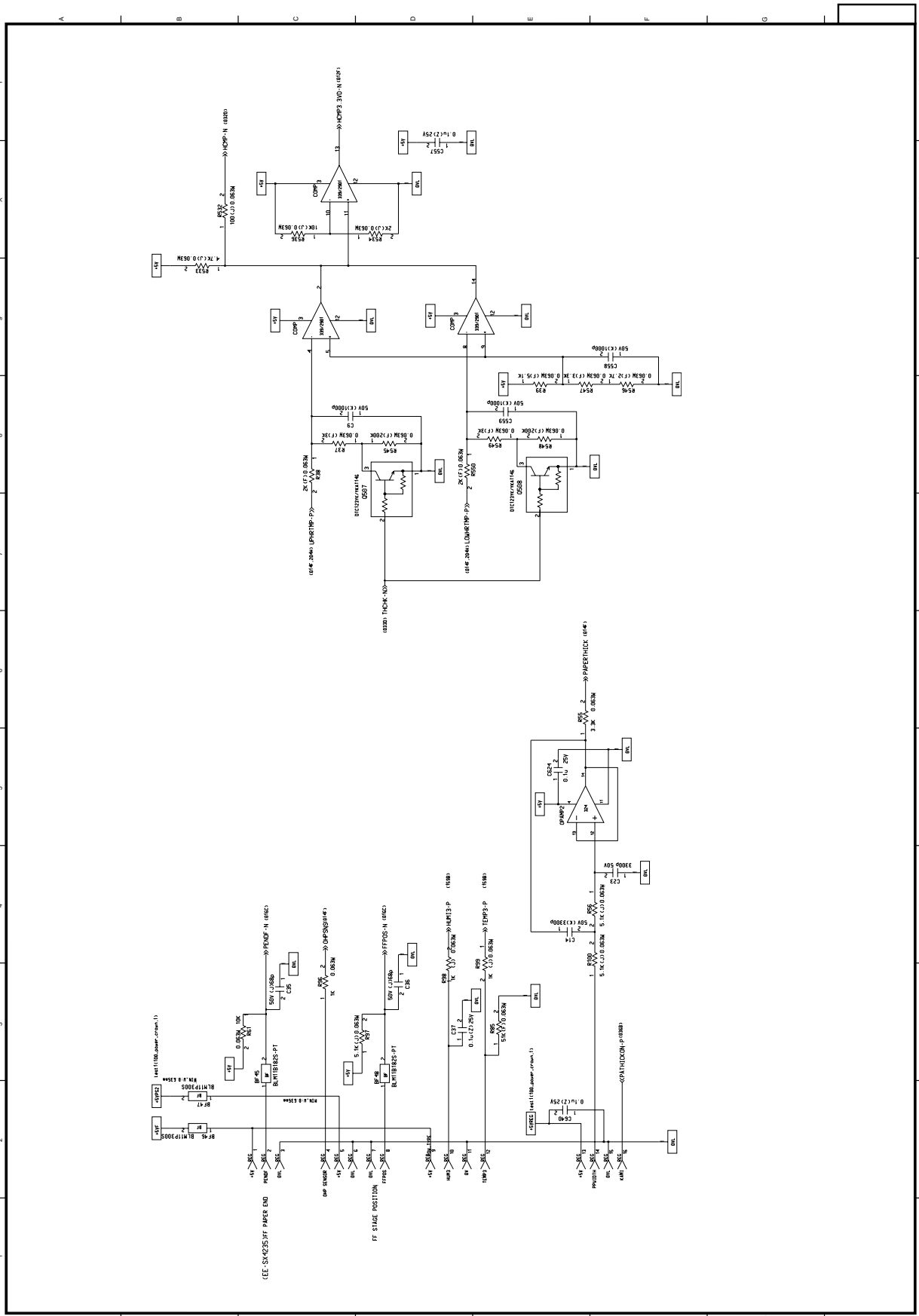


Figure 1-2 Print Engine Controller PWB (K7V Rev.3 C7300/C7100) (16/20)

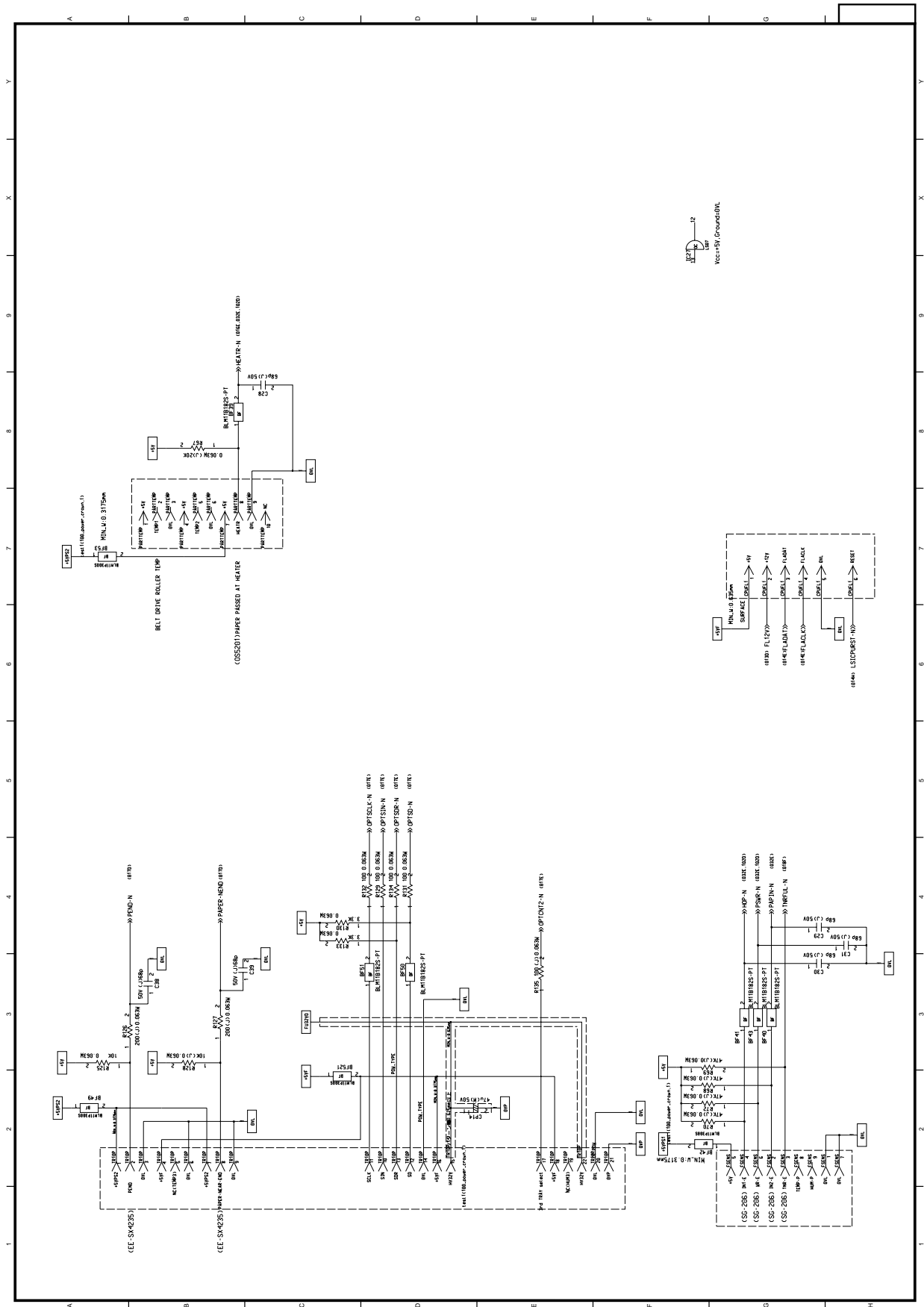


Figure 1-2 Print Engine Controller PWB (K7V Rev.3 C7300/C7100) (17/20)

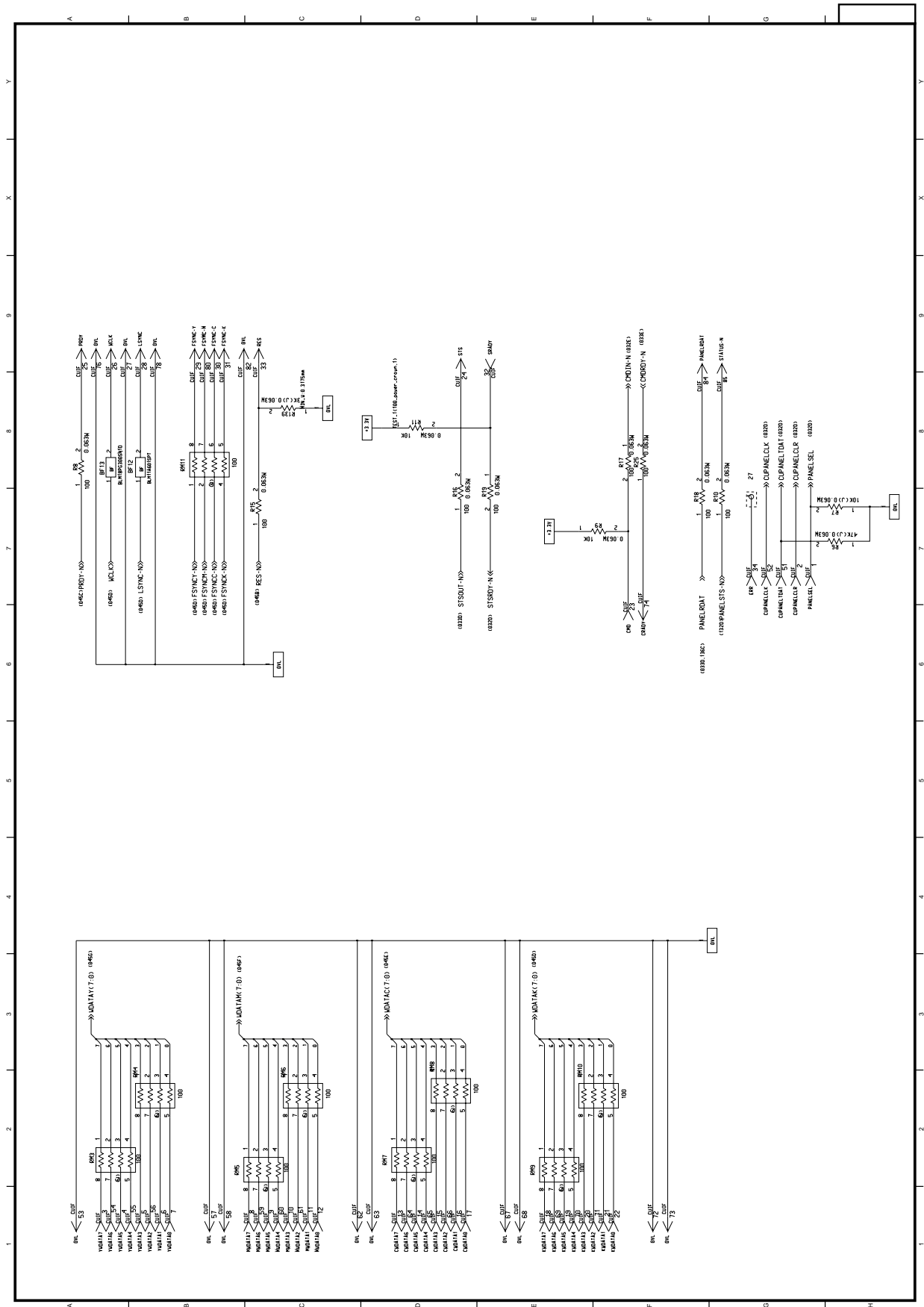


Figure 1-2 Print Engine Controller PWB (K7V Rev.3 C7300/C7100) (18/20)

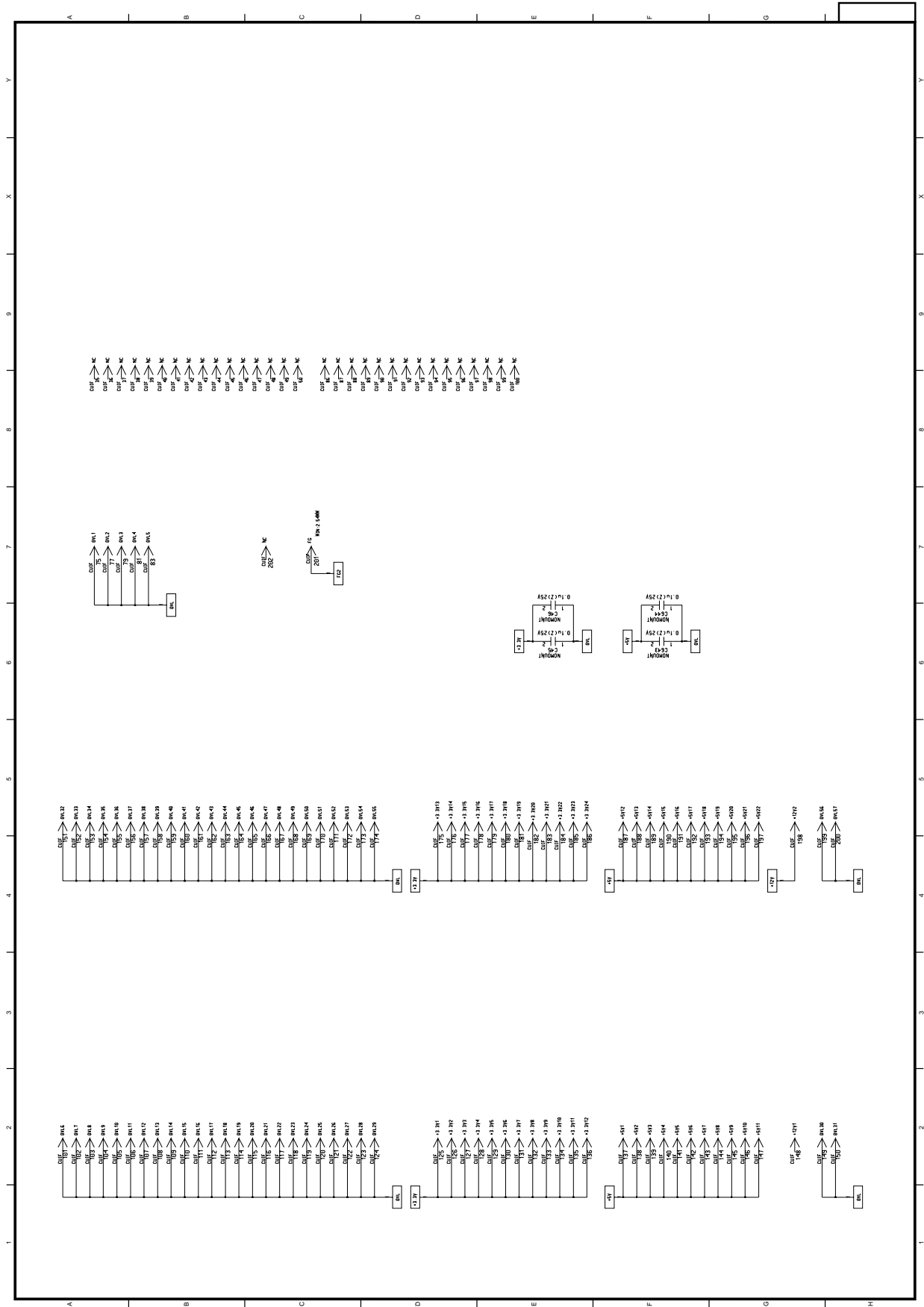


Figure 1-2 Print Engine Controller PWB (K7V Rev.3 C7300/C7100) (19/20)

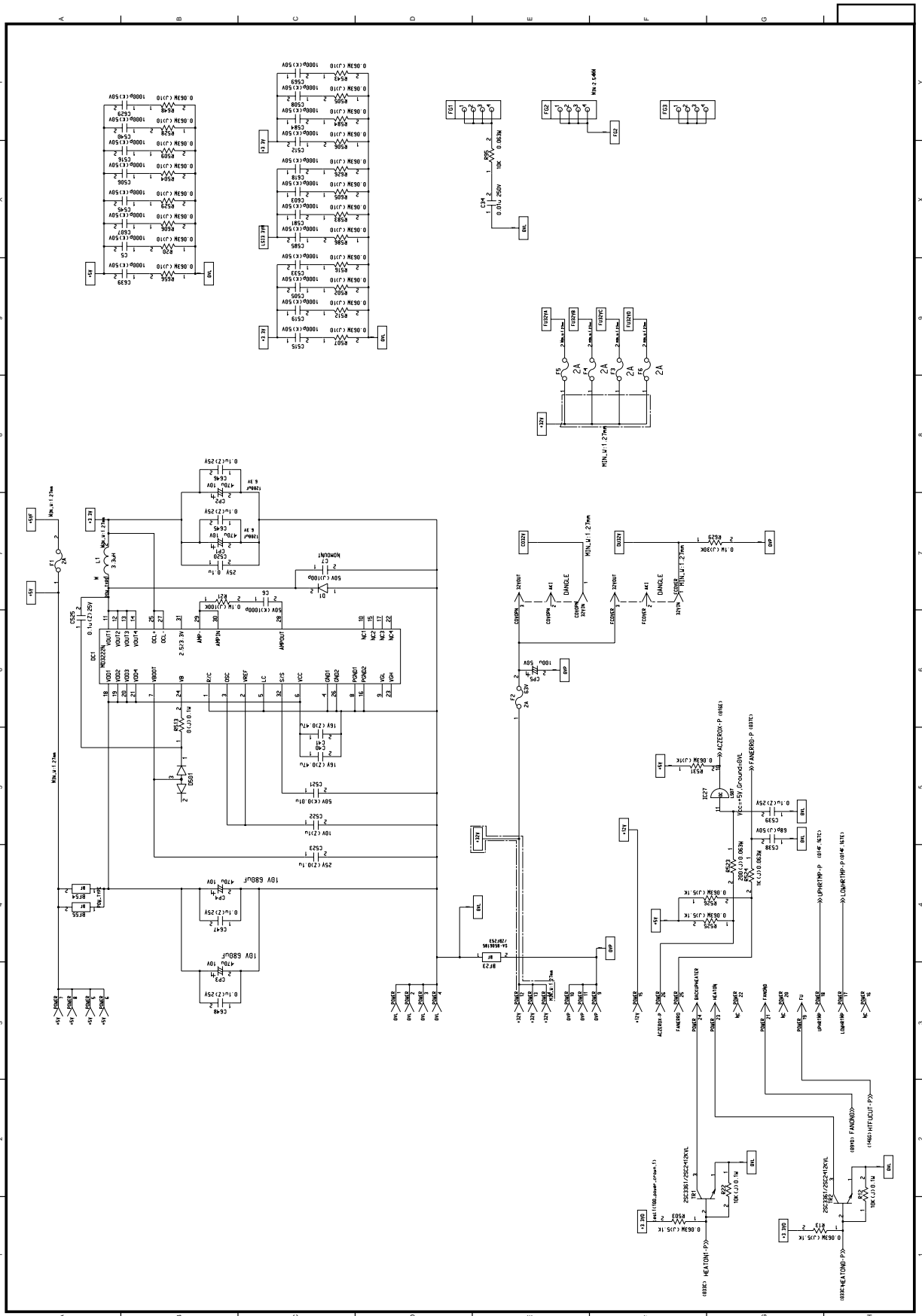


Figure 1-2 Print Engine Controller PWB (K7V Rev.3 C7300/C7100) (20/20)

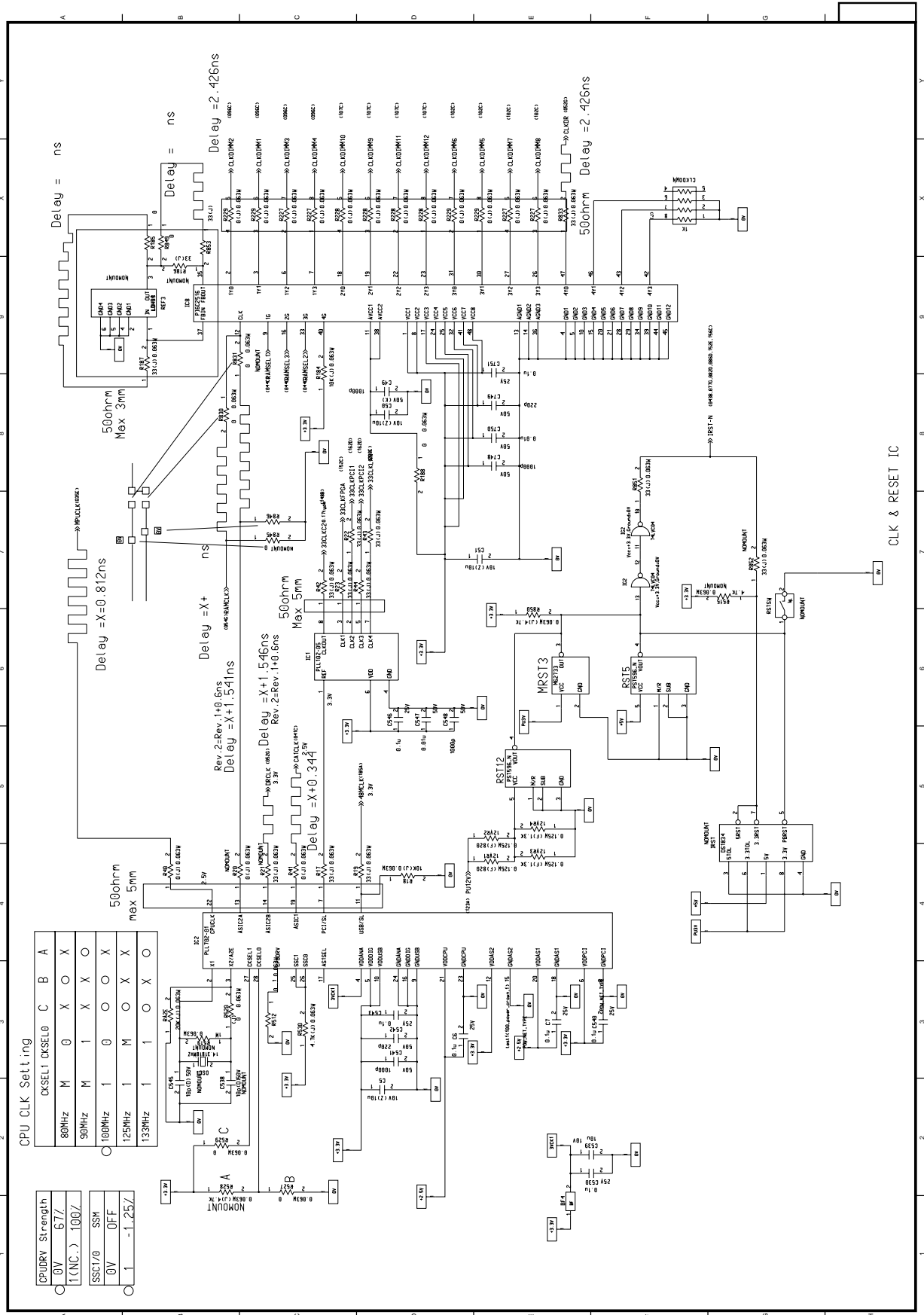


Figure 1-3 Main Controller PWB (TIG) (1/22)



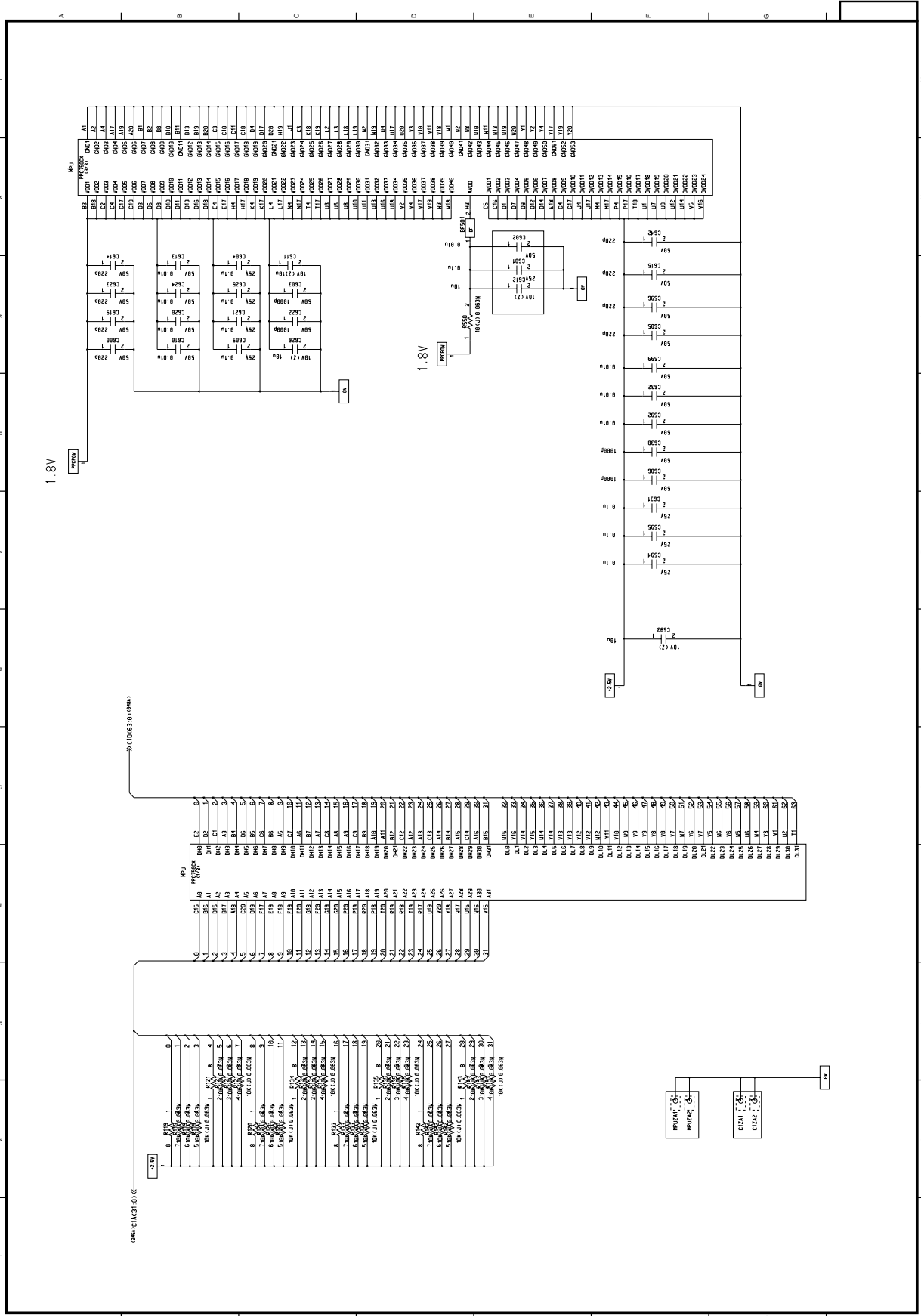


Figure 1-3 Main Controller PWB (TIG) (2/22)

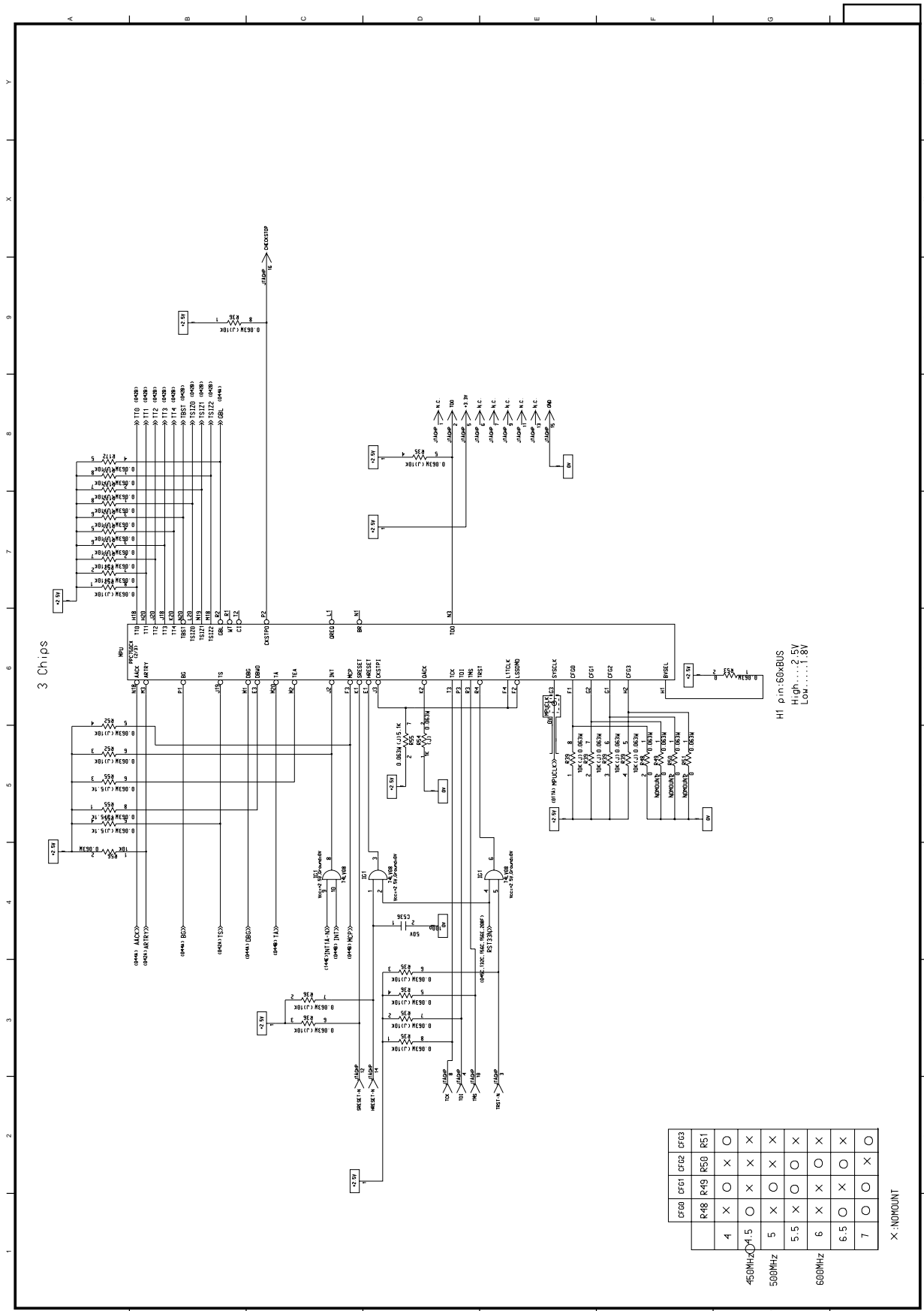


Figure 1-3 Main Controller PWB (TIG) (3/22)

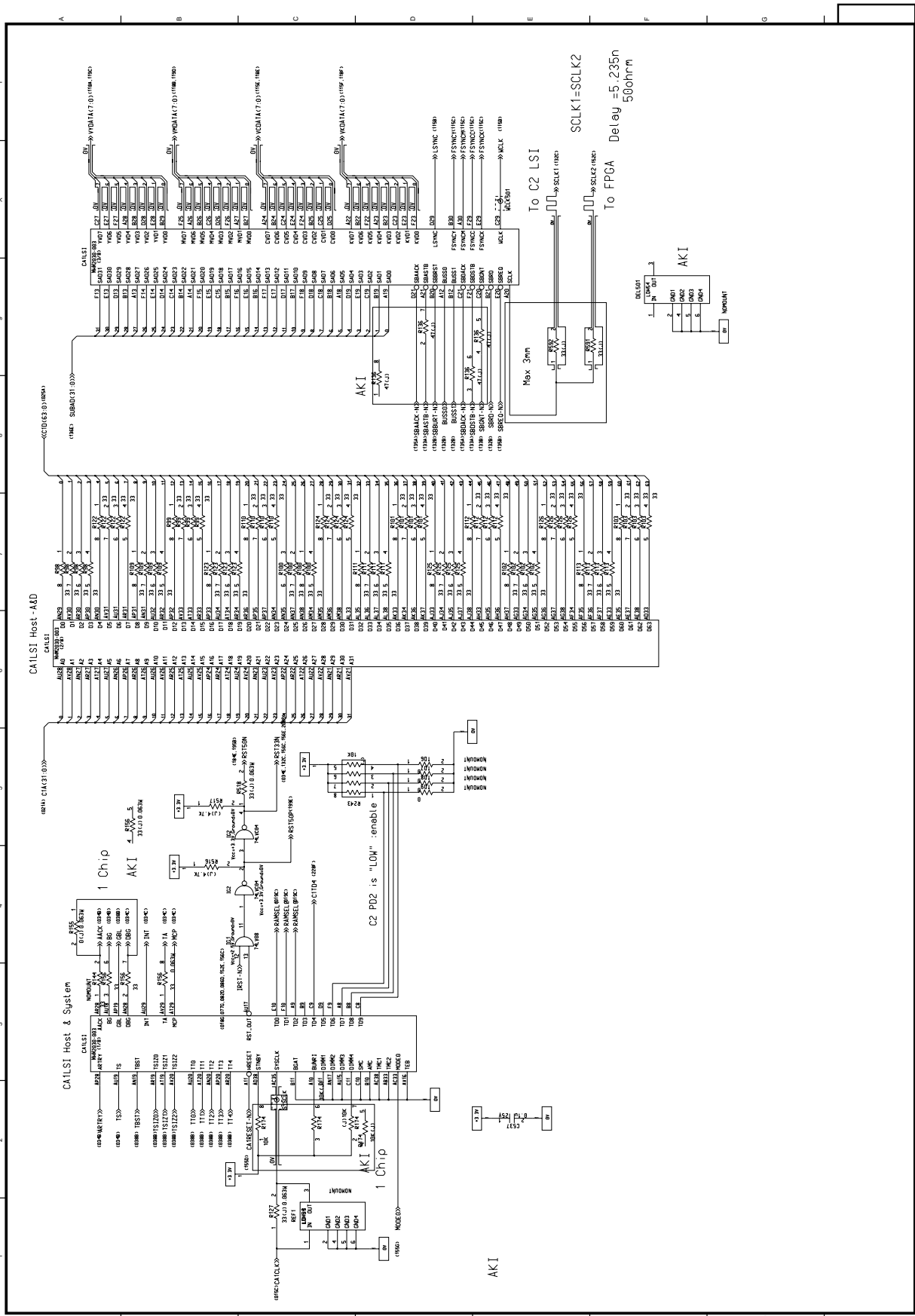


Figure 1-3 Main Controller PWB (TIG) (4/22)

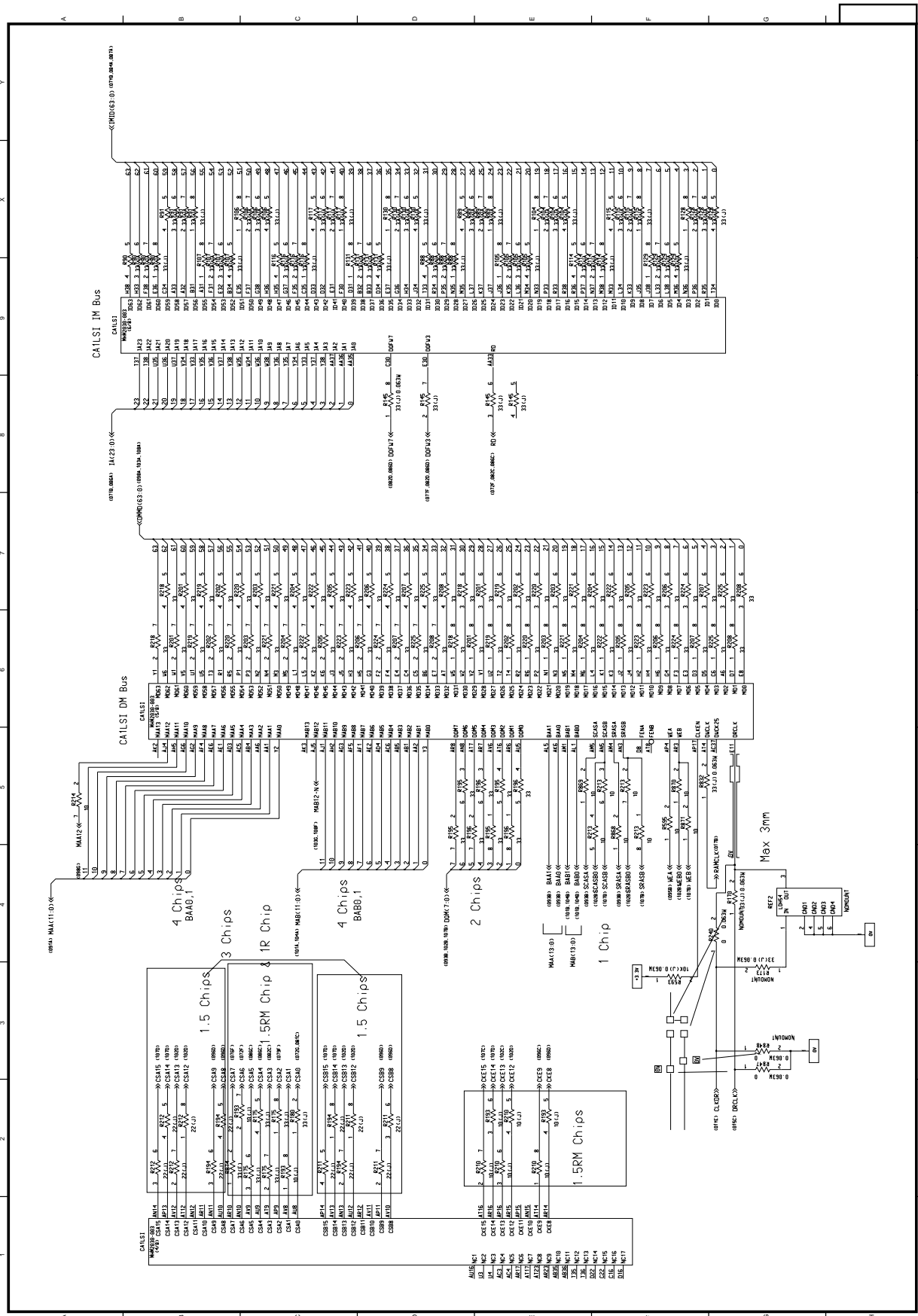


Figure 1-3 Main Controller PWB (TIG) (5/22)

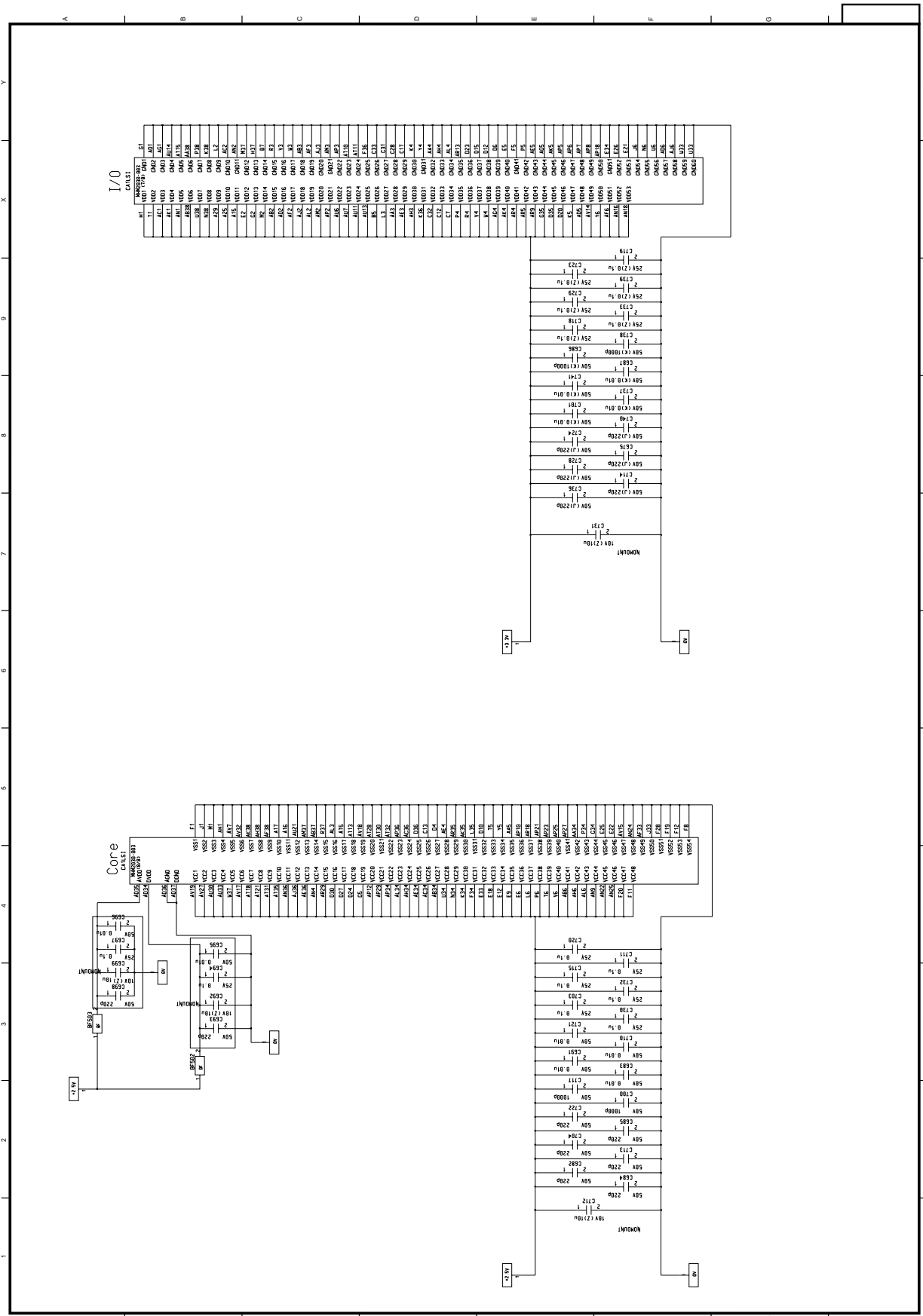


Figure 1-3 Main Controller PWB (TIG) (6/22)

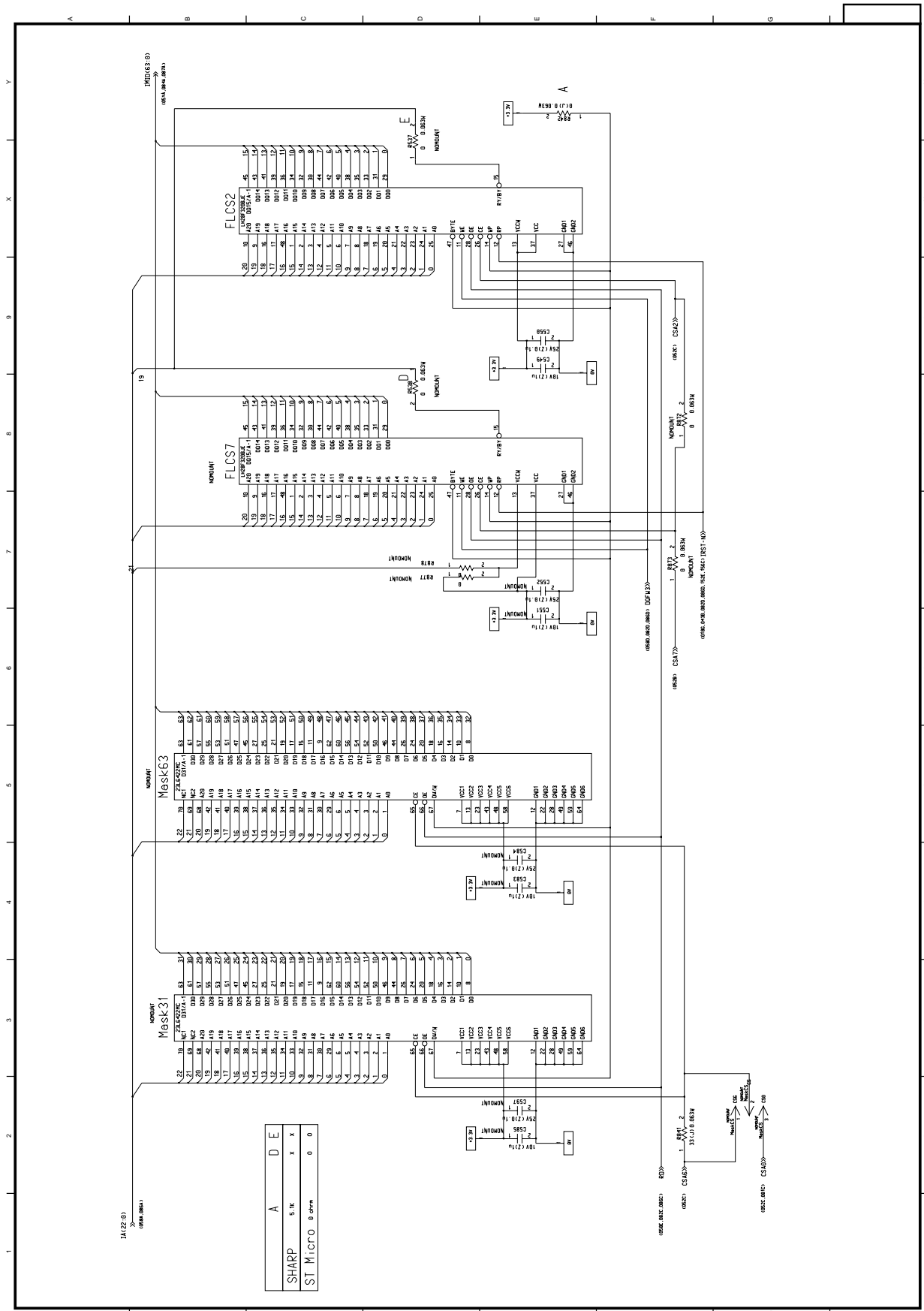


Figure 1-3 Main Controller PWB (TIG) (7/22)

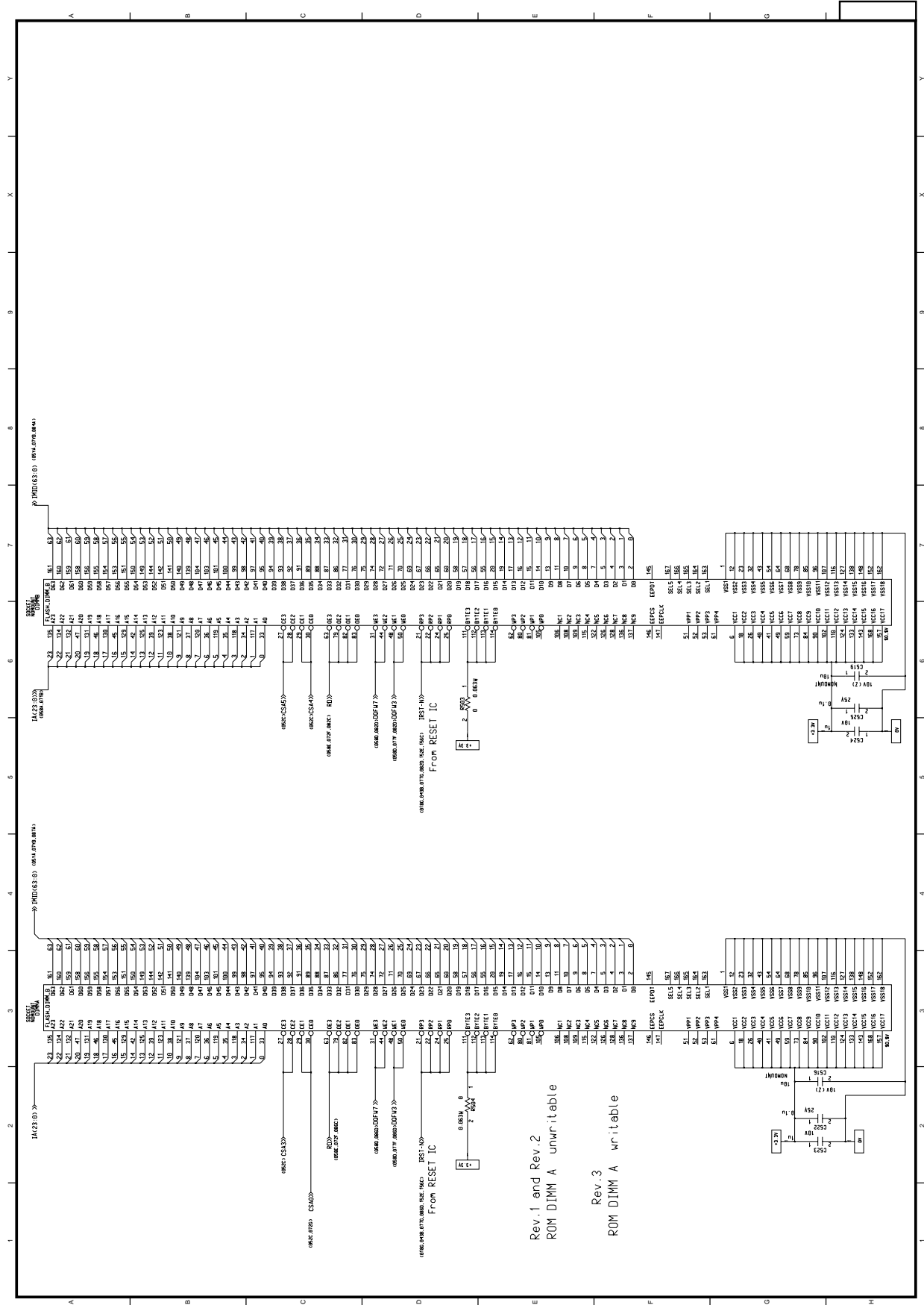


Figure 1-3 Main Controller PWB (TIG) (8/22)

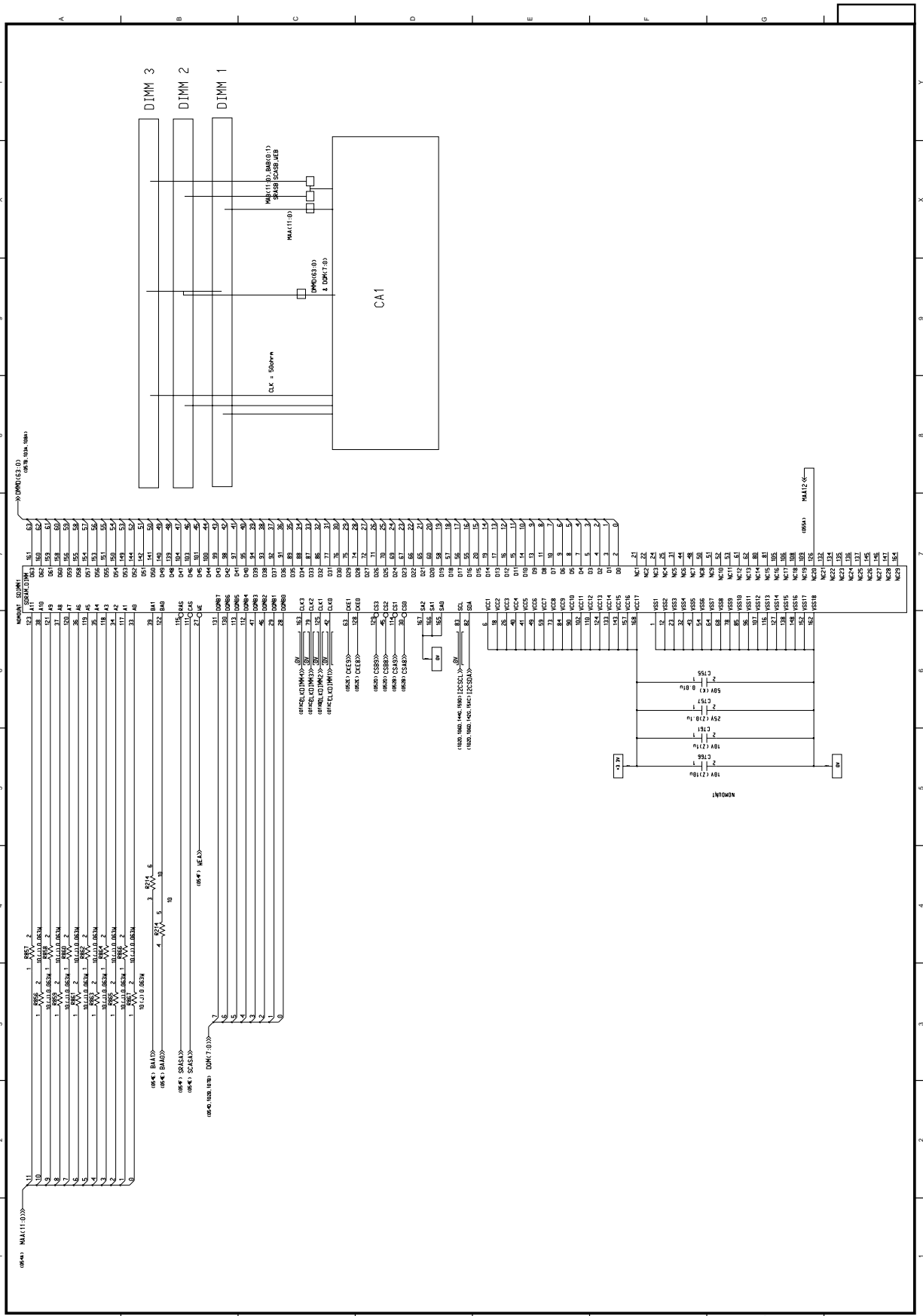


Figure 1-3 Main Controller PWB (TIG) (9/22)



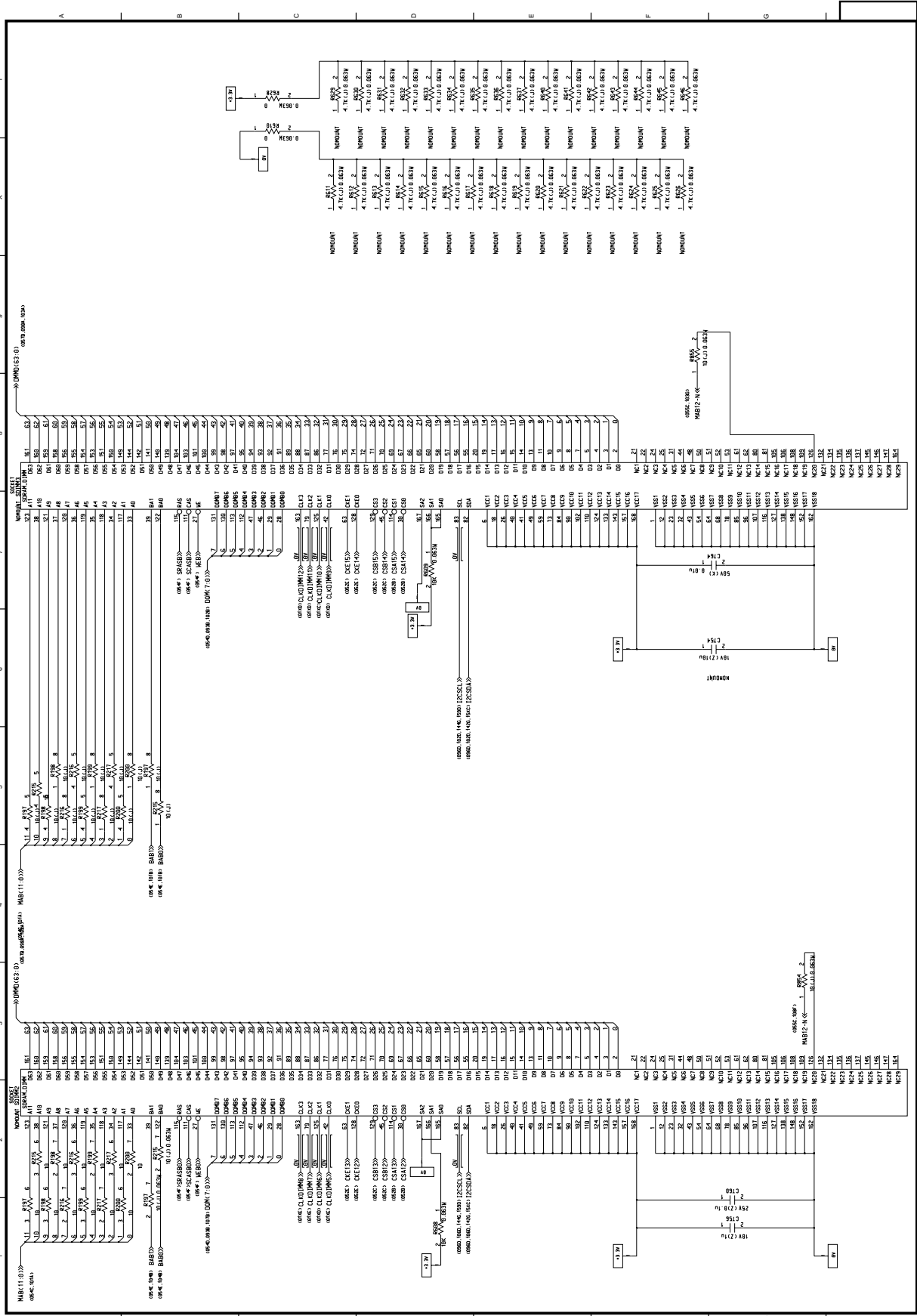


Figure 1-3 Main Controller PWB (TIG) (10/22)

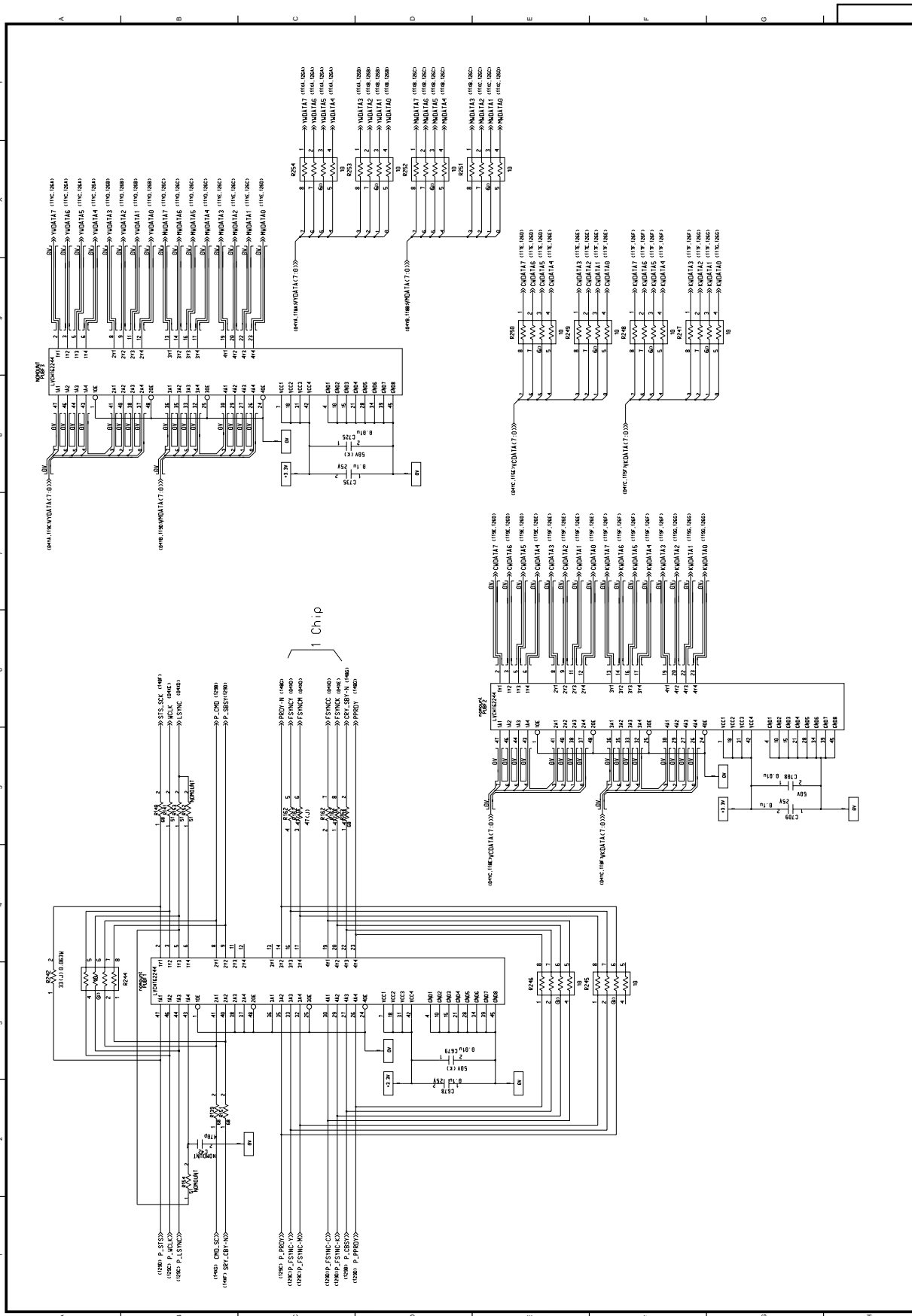


Figure 1-3 Main Controller PWB (TIG) (11/22)

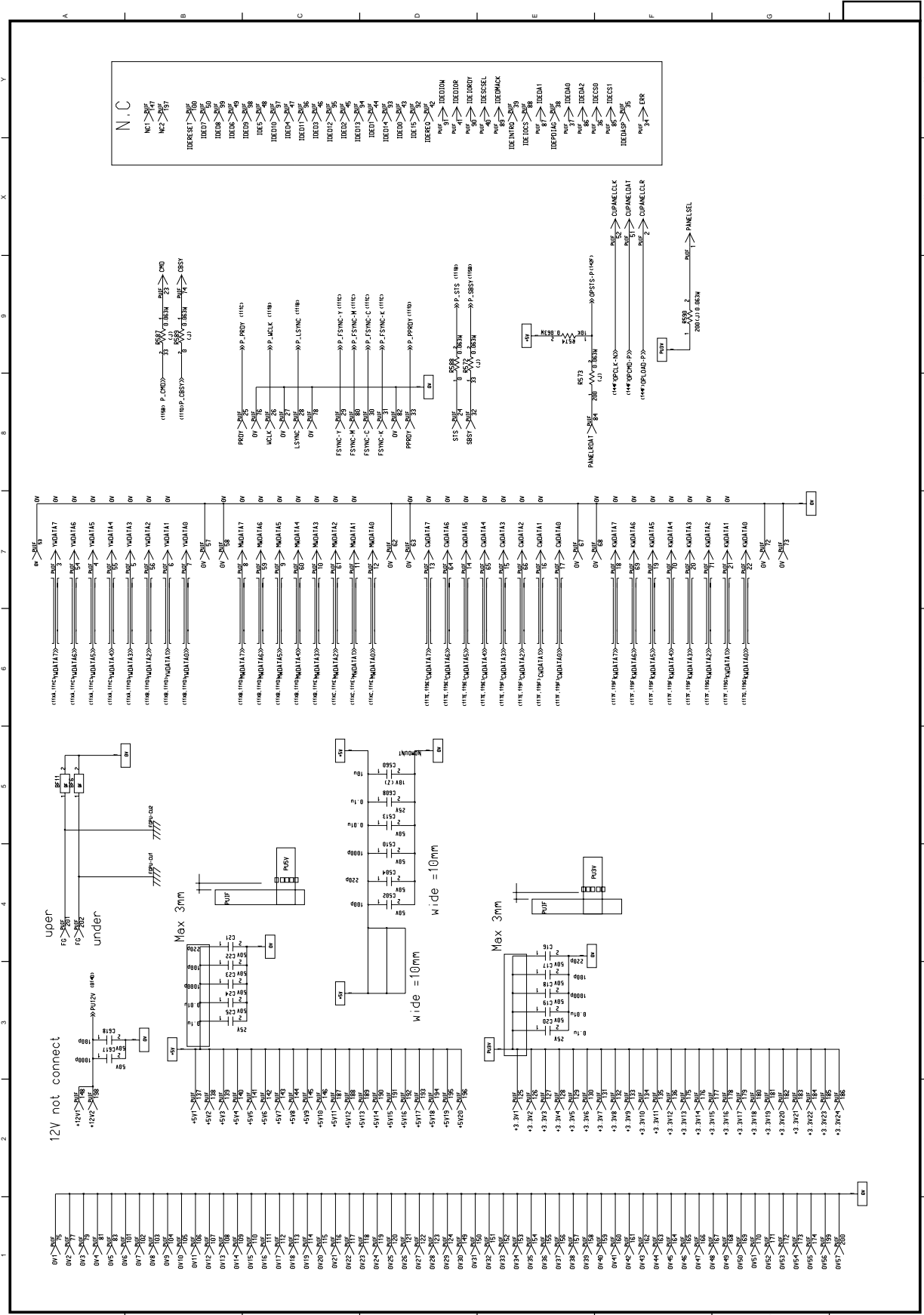


Figure 1-3 Main Controller PWB (TIG) (12/22)

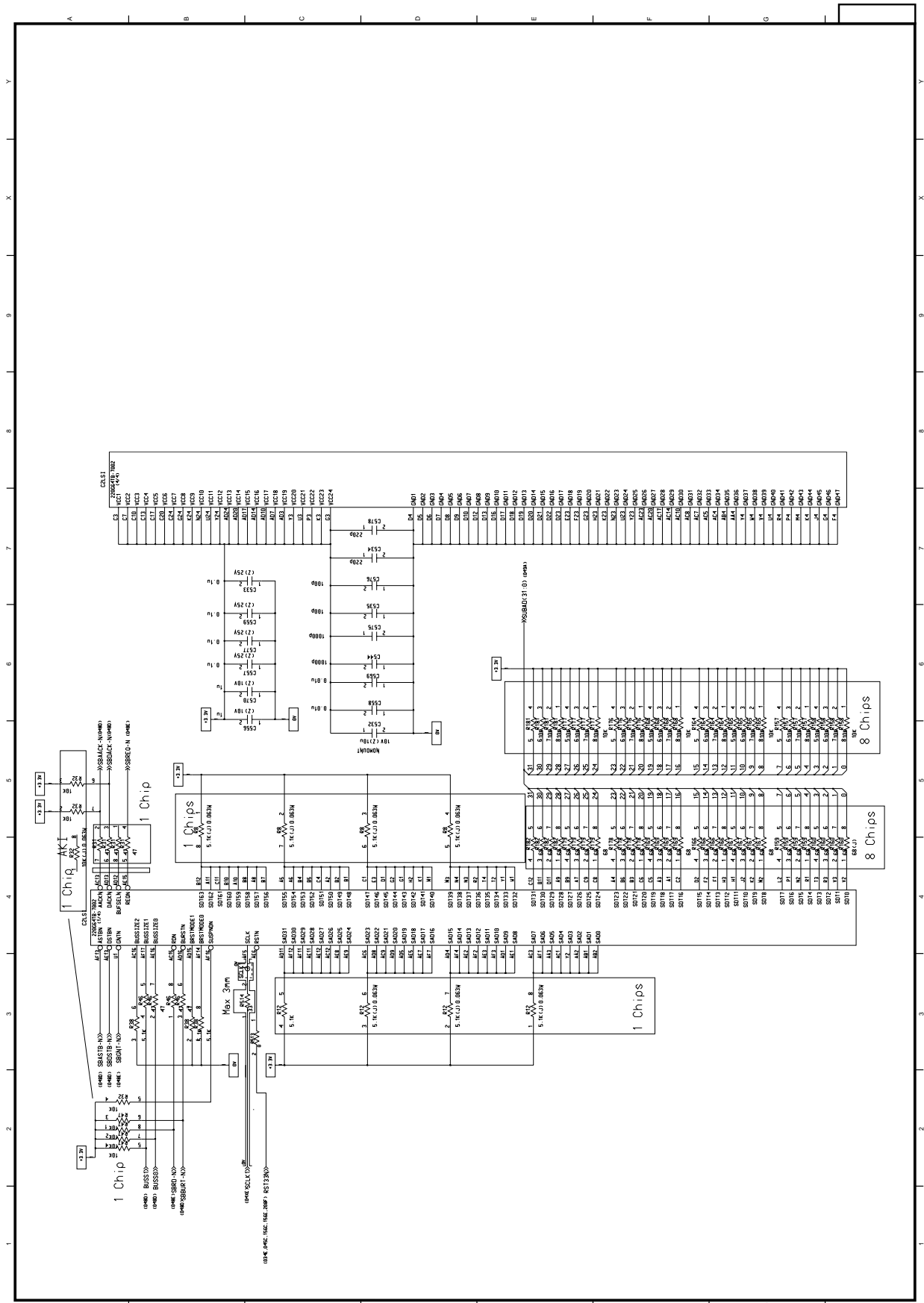


Figure 1-3 Main Controller PWB (TIG) (13/22)

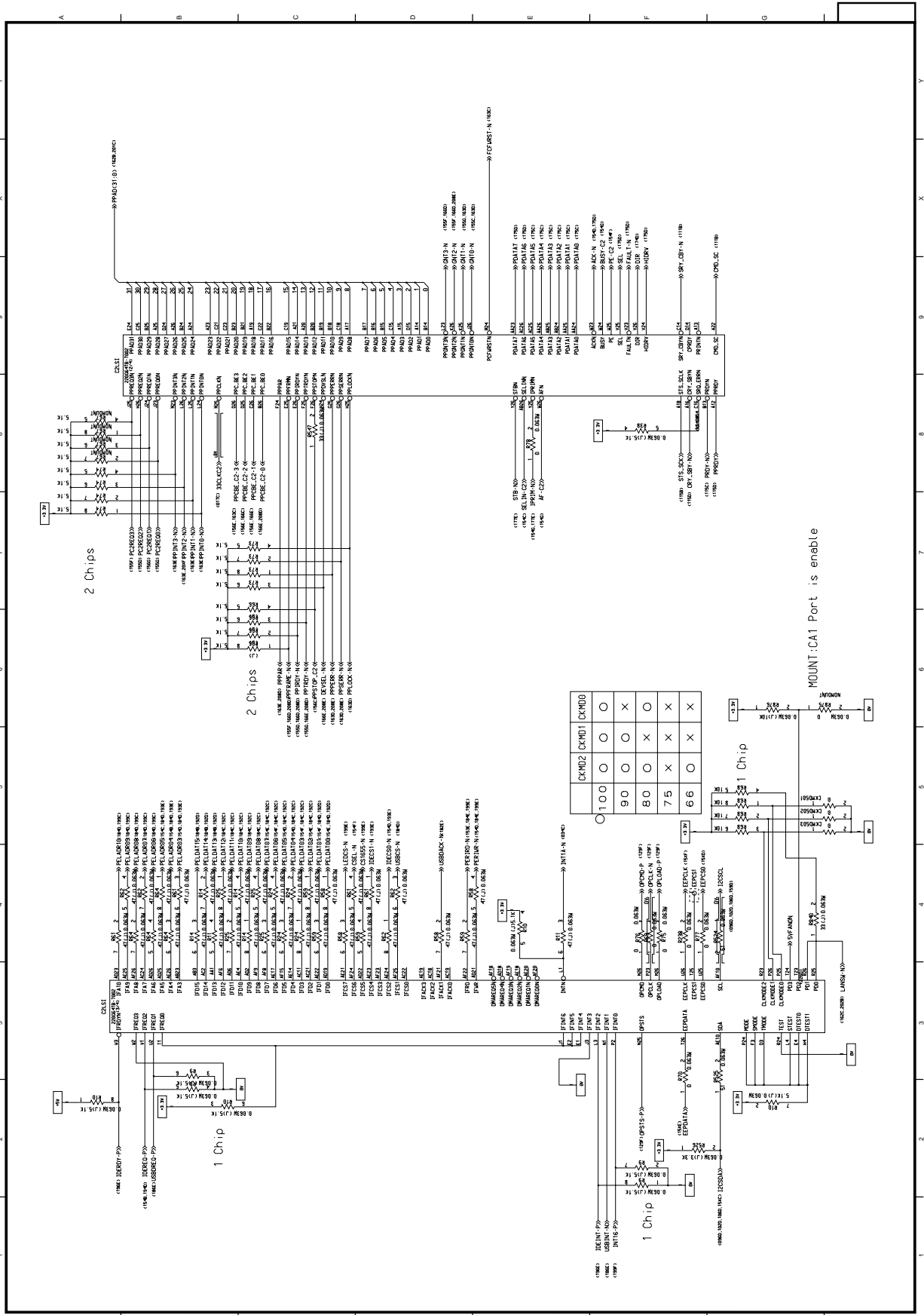


Figure 1-3 Main Controller PWB (TIG) (14/22)

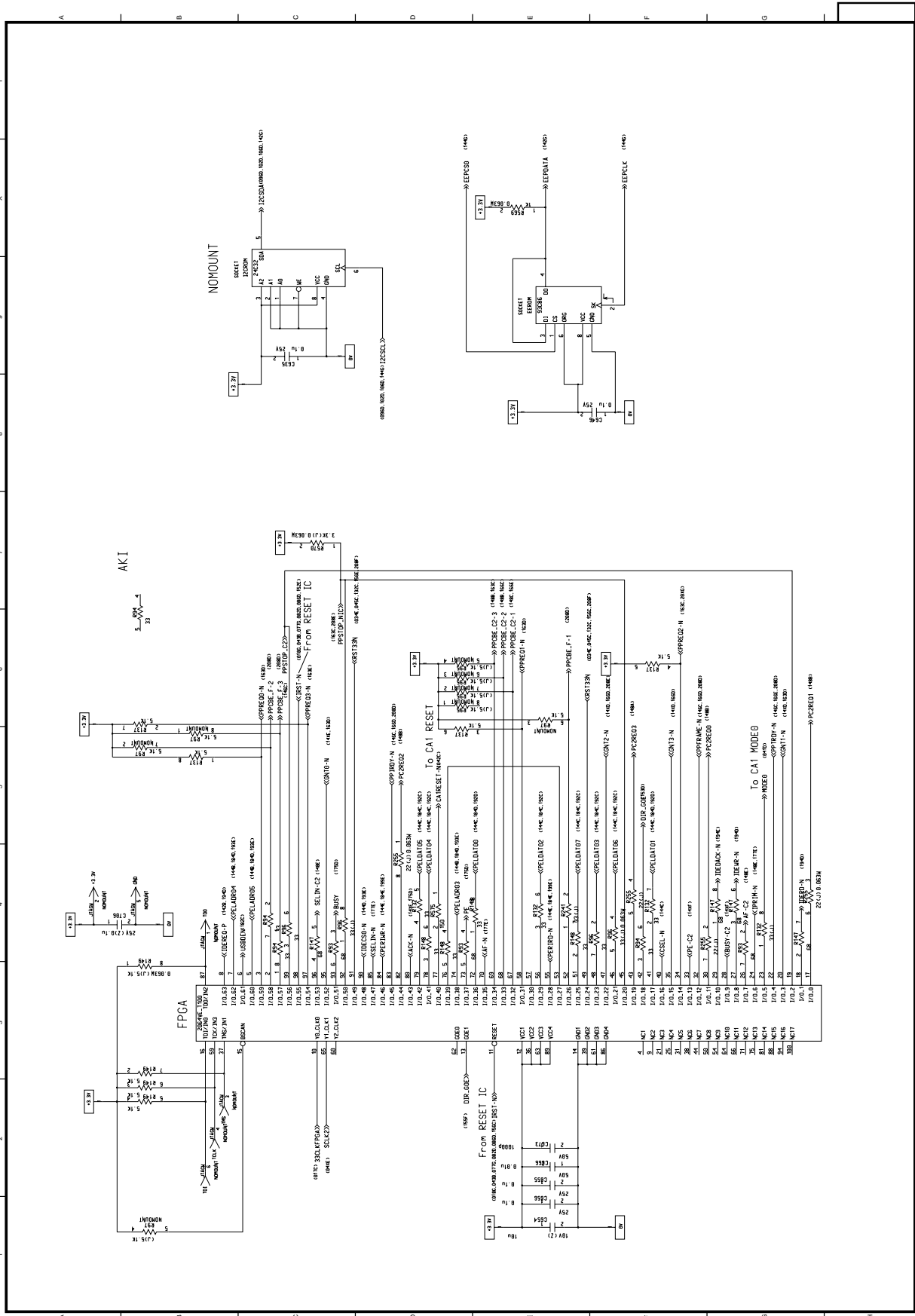


Figure 1-3 Main Controller PWB (TIG) (15/22)

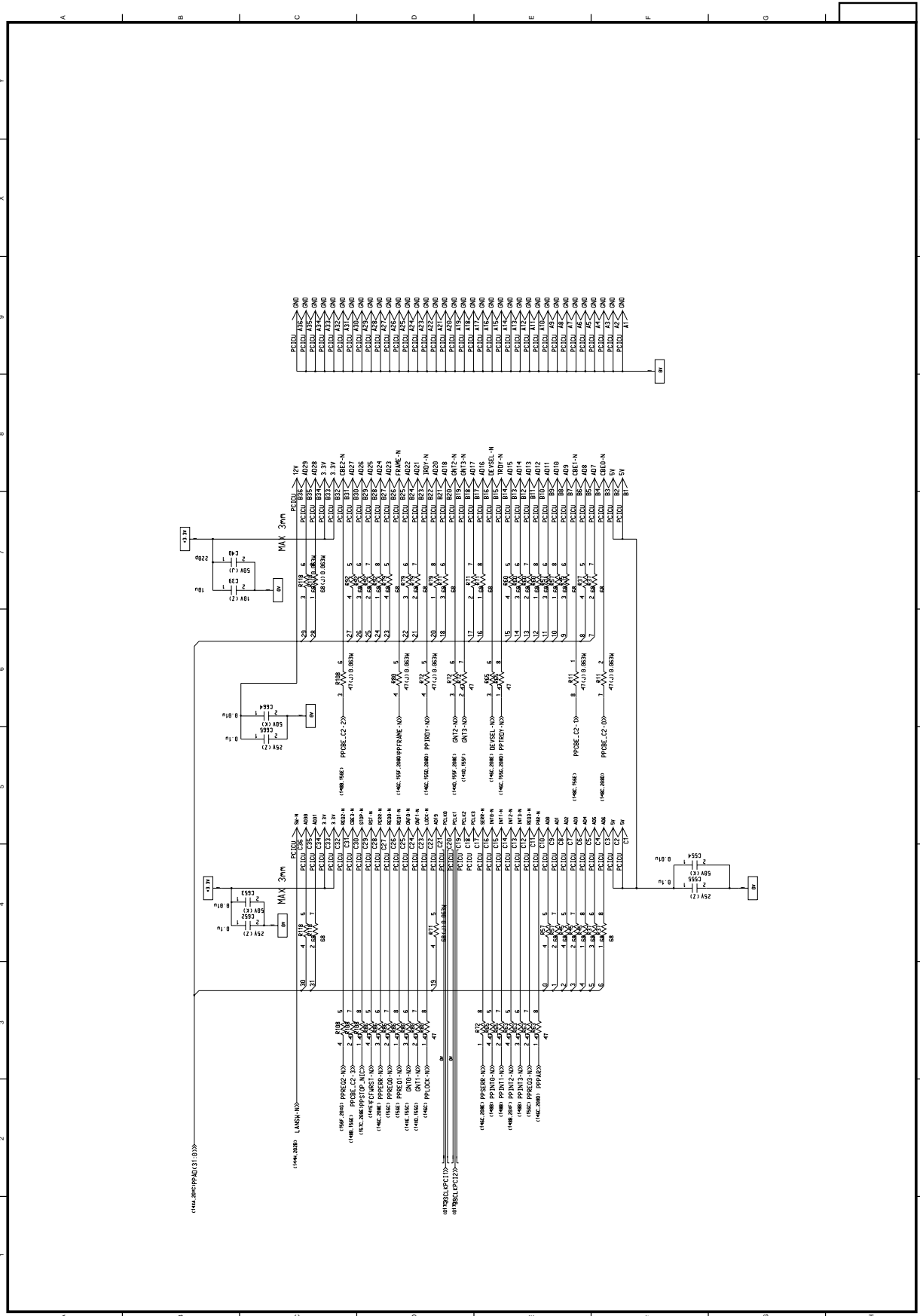


Figure 1-3 Main Controller PWB (TIG) (16/22)

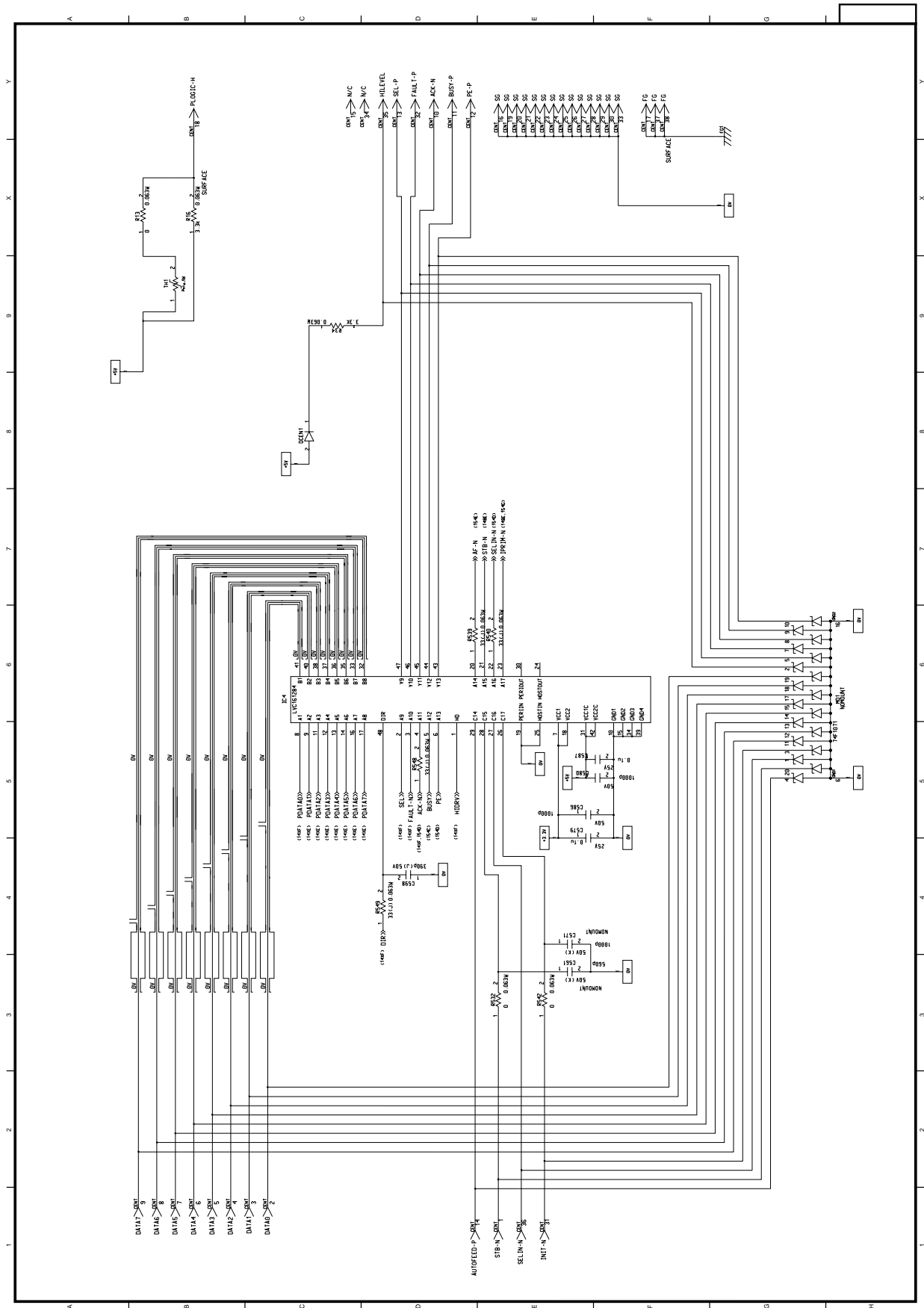


Figure 1-3 Main Controller PWB (TIG) (17/22)



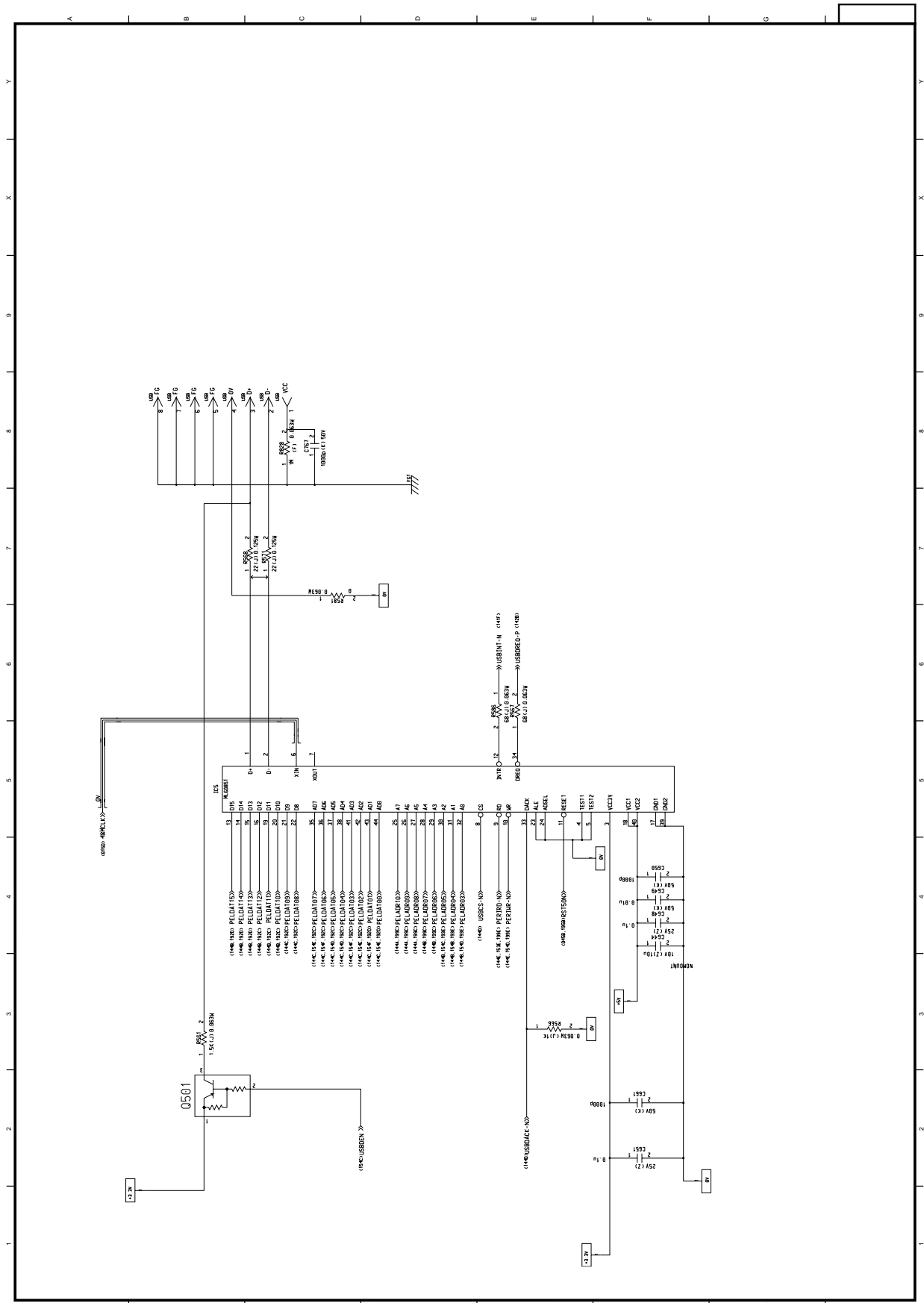


Figure 1-3 Main Controller PWB (TIG) (18/22)

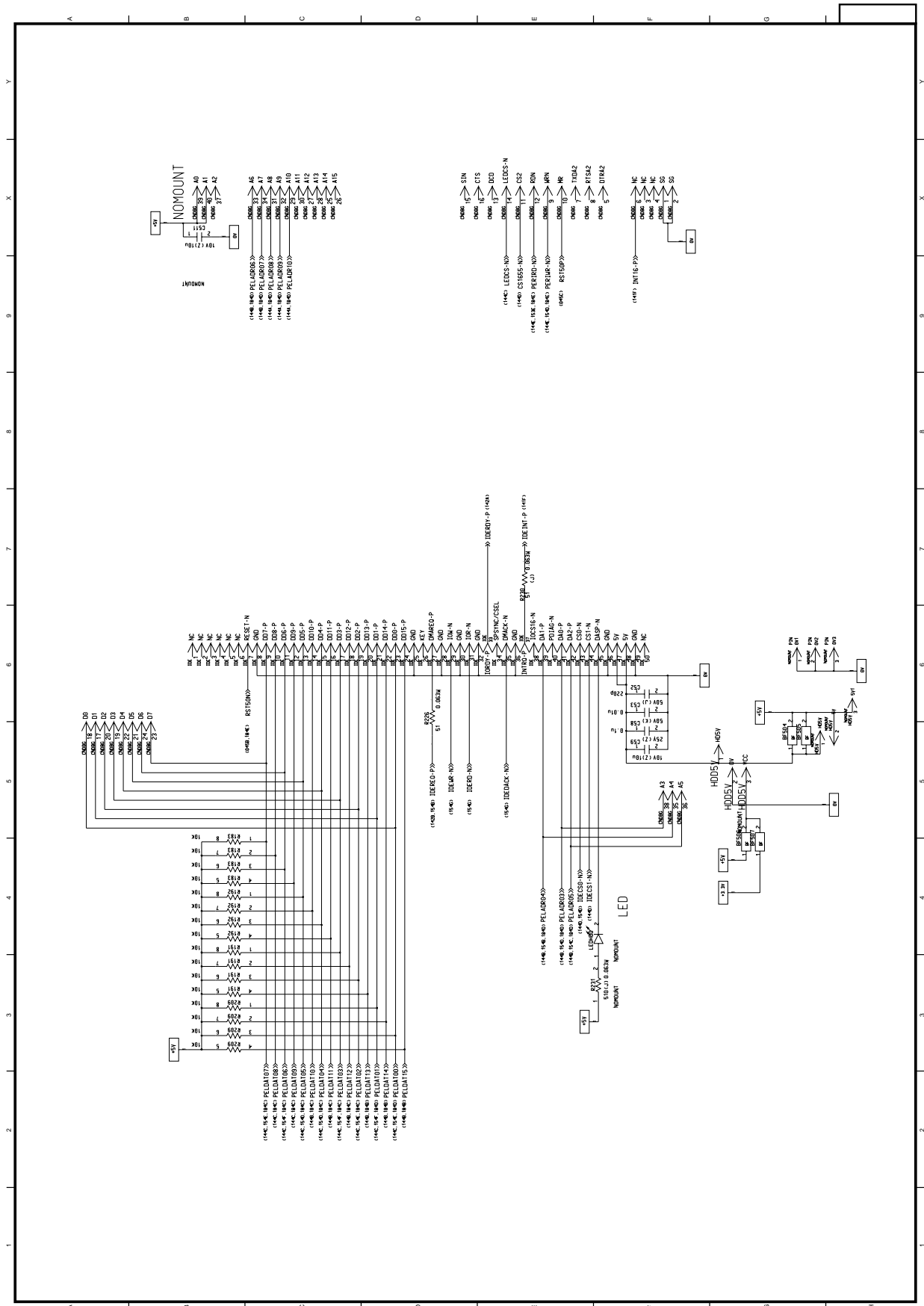


Figure 1-3 Main Controller PWB (TIG) (19/22)

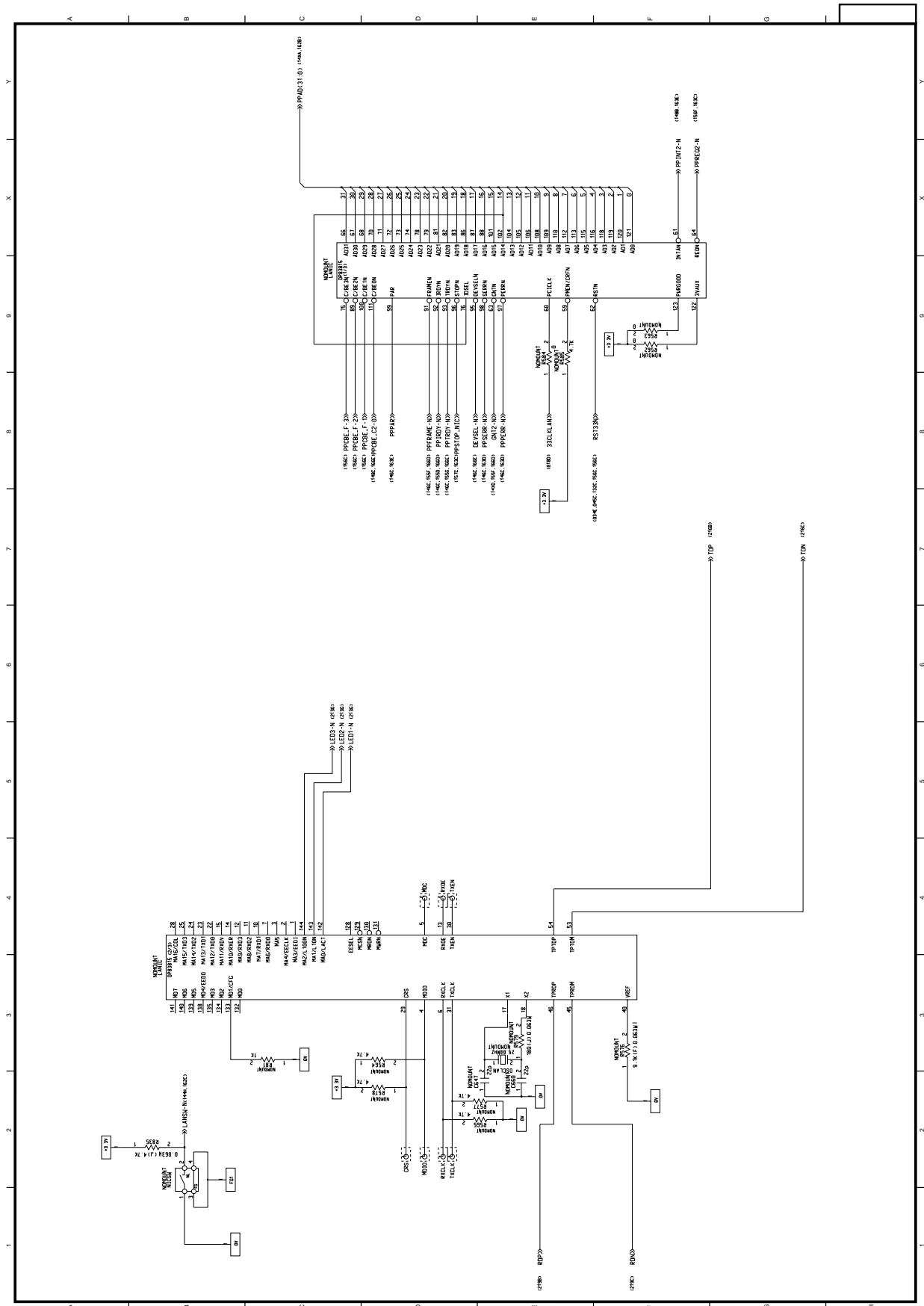


Figure 1-3 Main Controller PWB (TIG) (20/22)

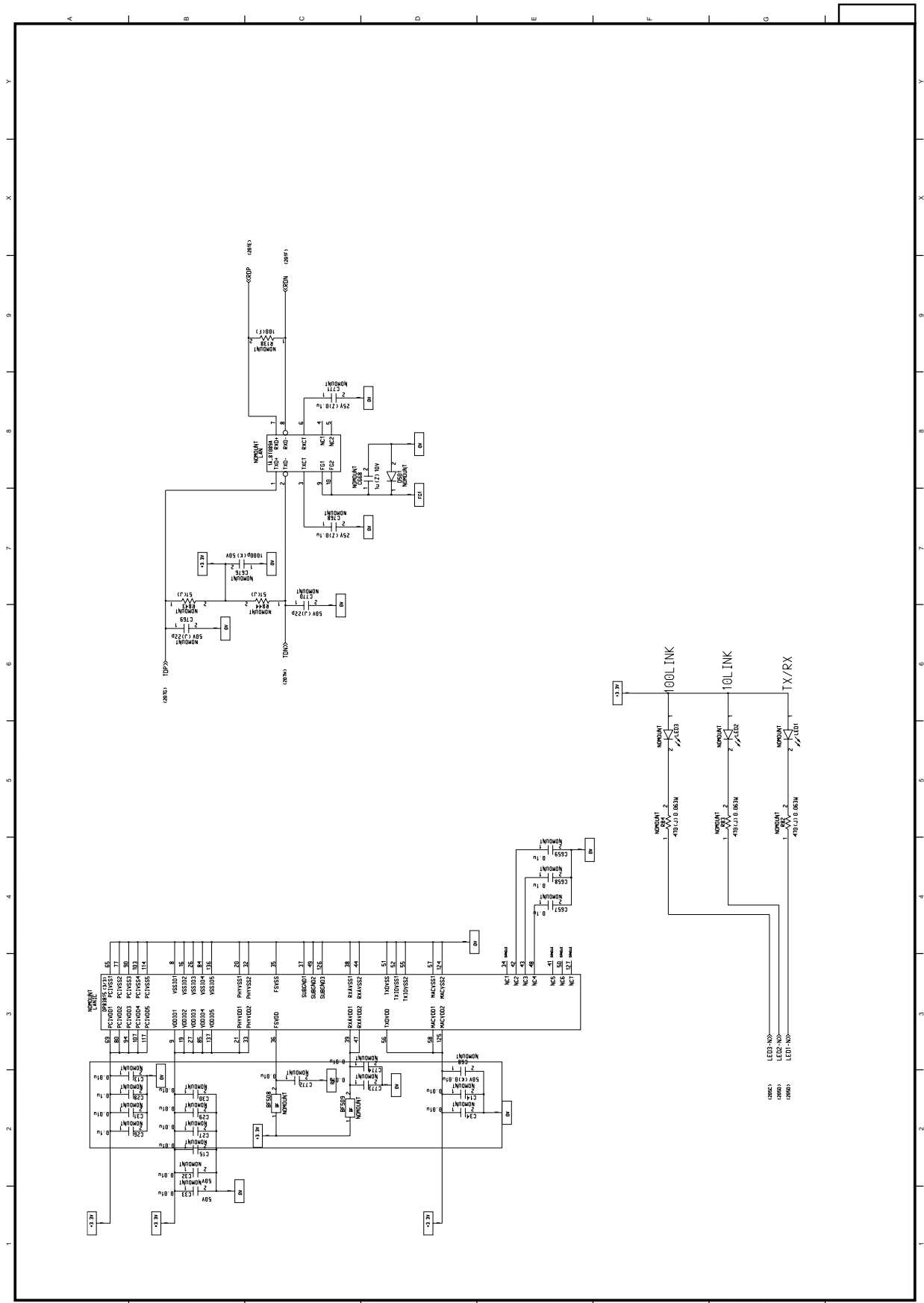


Figure 1-3 Main Controller PWB (TIG) (21/22)

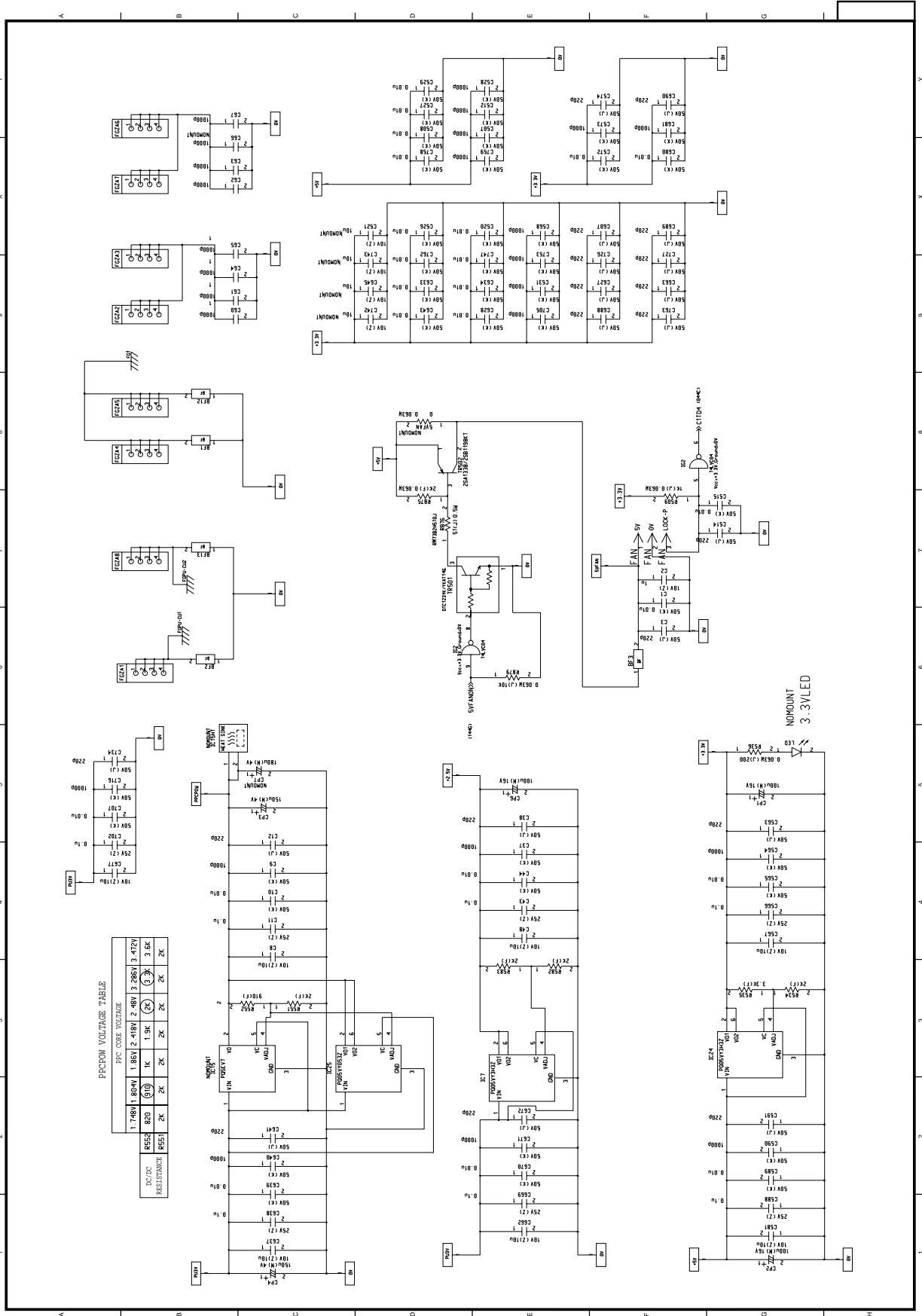


Figure 1-3 Main Controller PWB (TIG) (22/22)



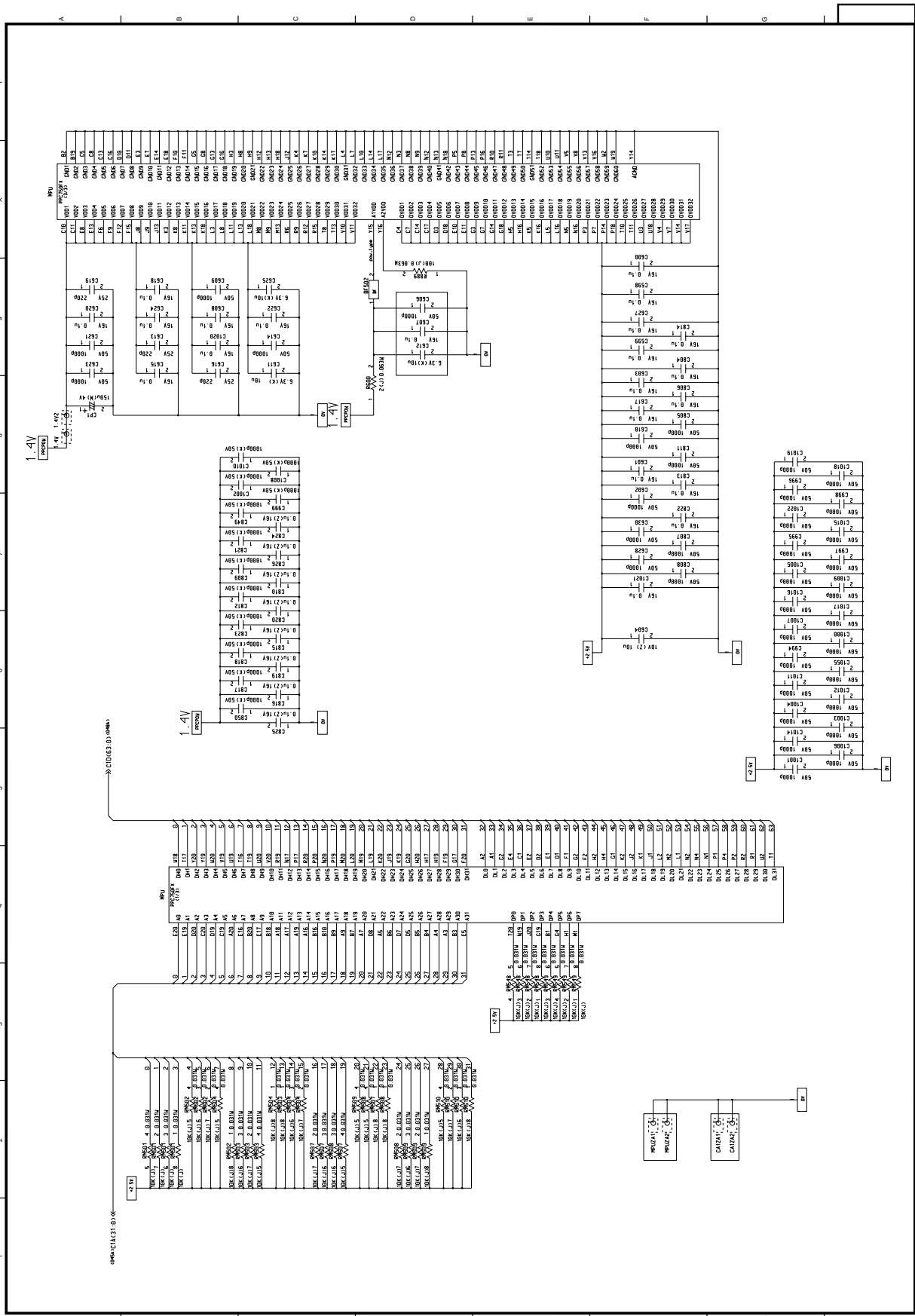


Figure 1-4 Main Controller PWB-VE (HMF C9500) (2/23)

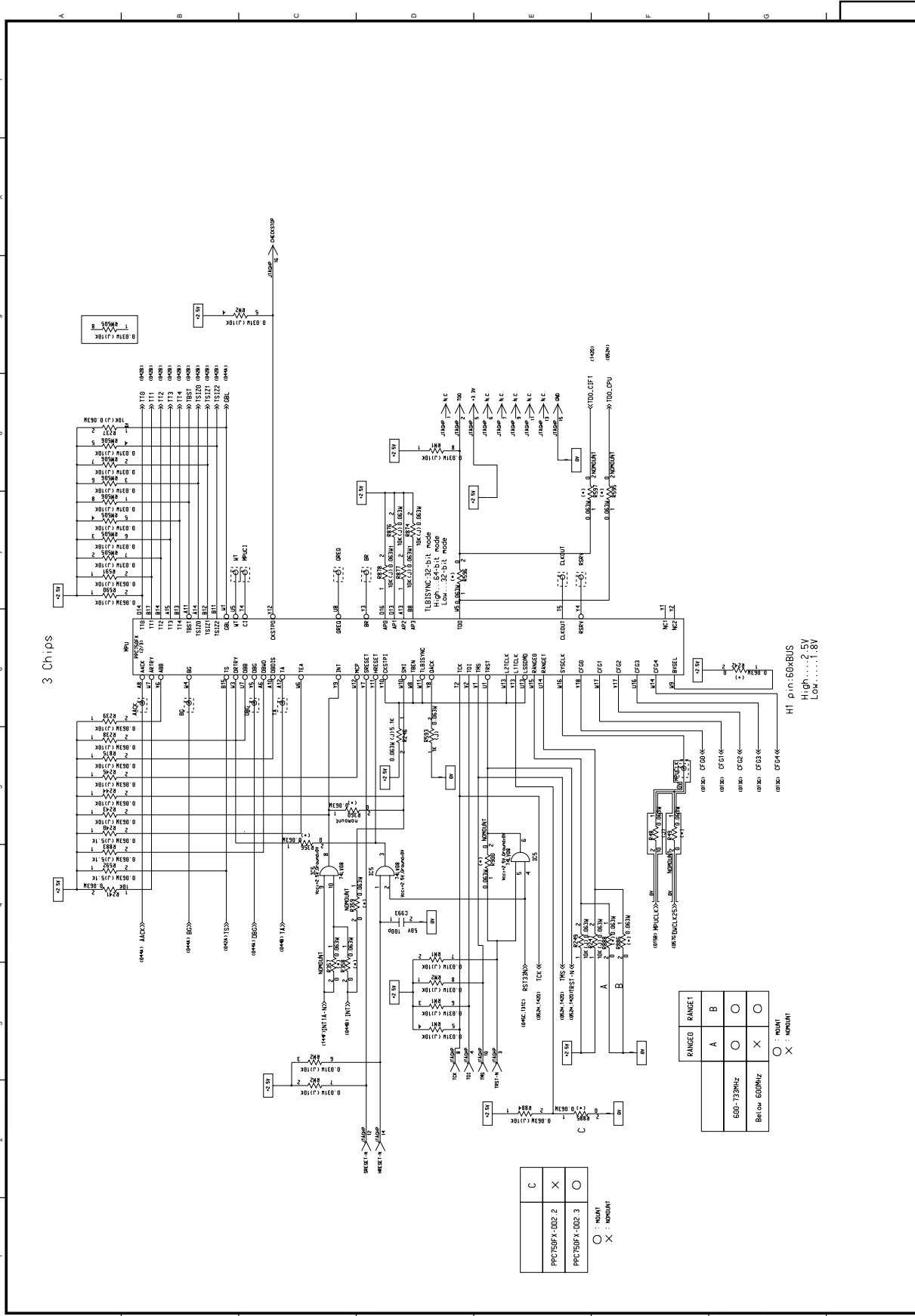


Figure 1-4 Main Controller PWB-VE (HMF C9500) (3/23)





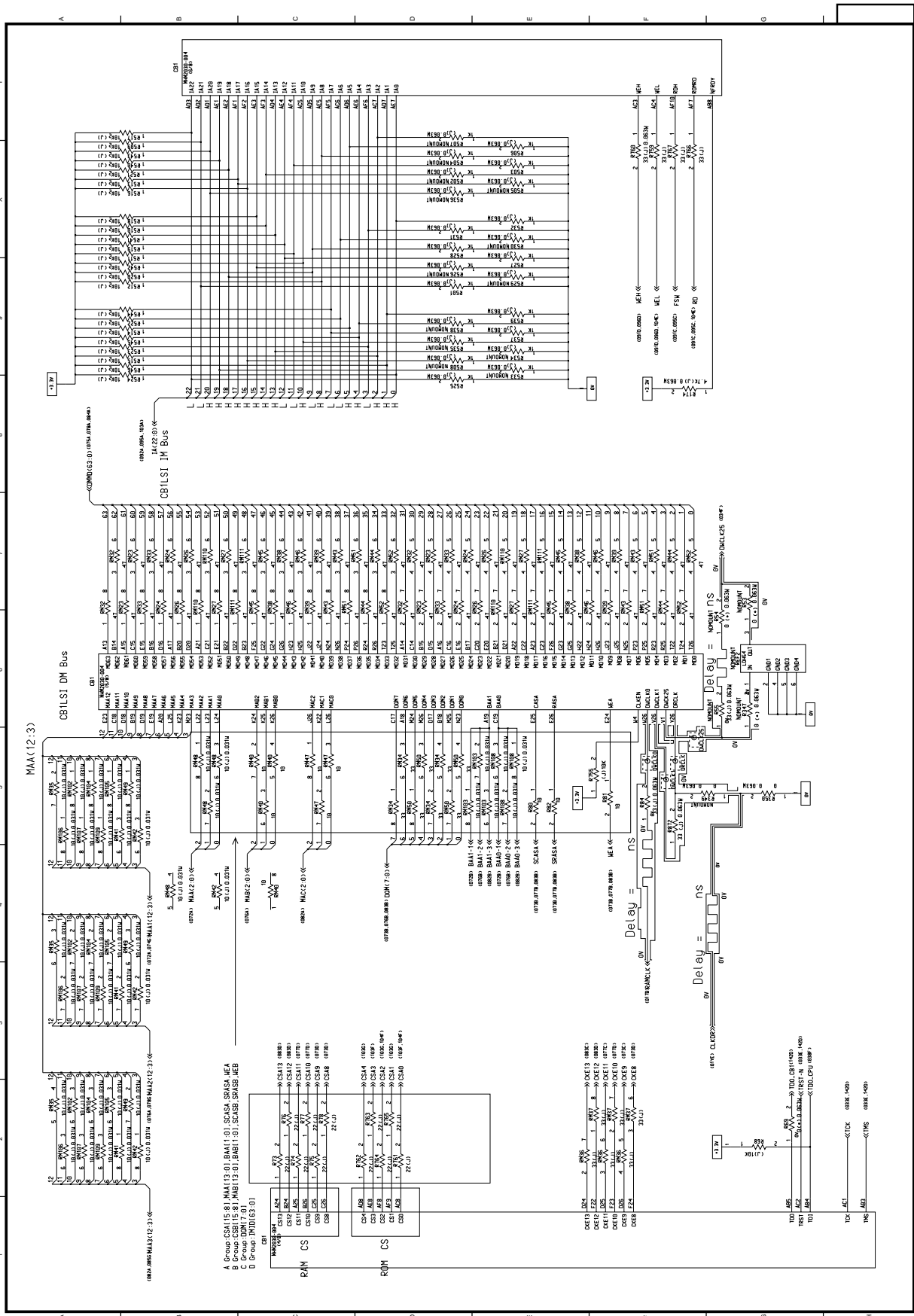


Figure 1-4 Main Controller PWB-VE (HMF C9500) (5/23)

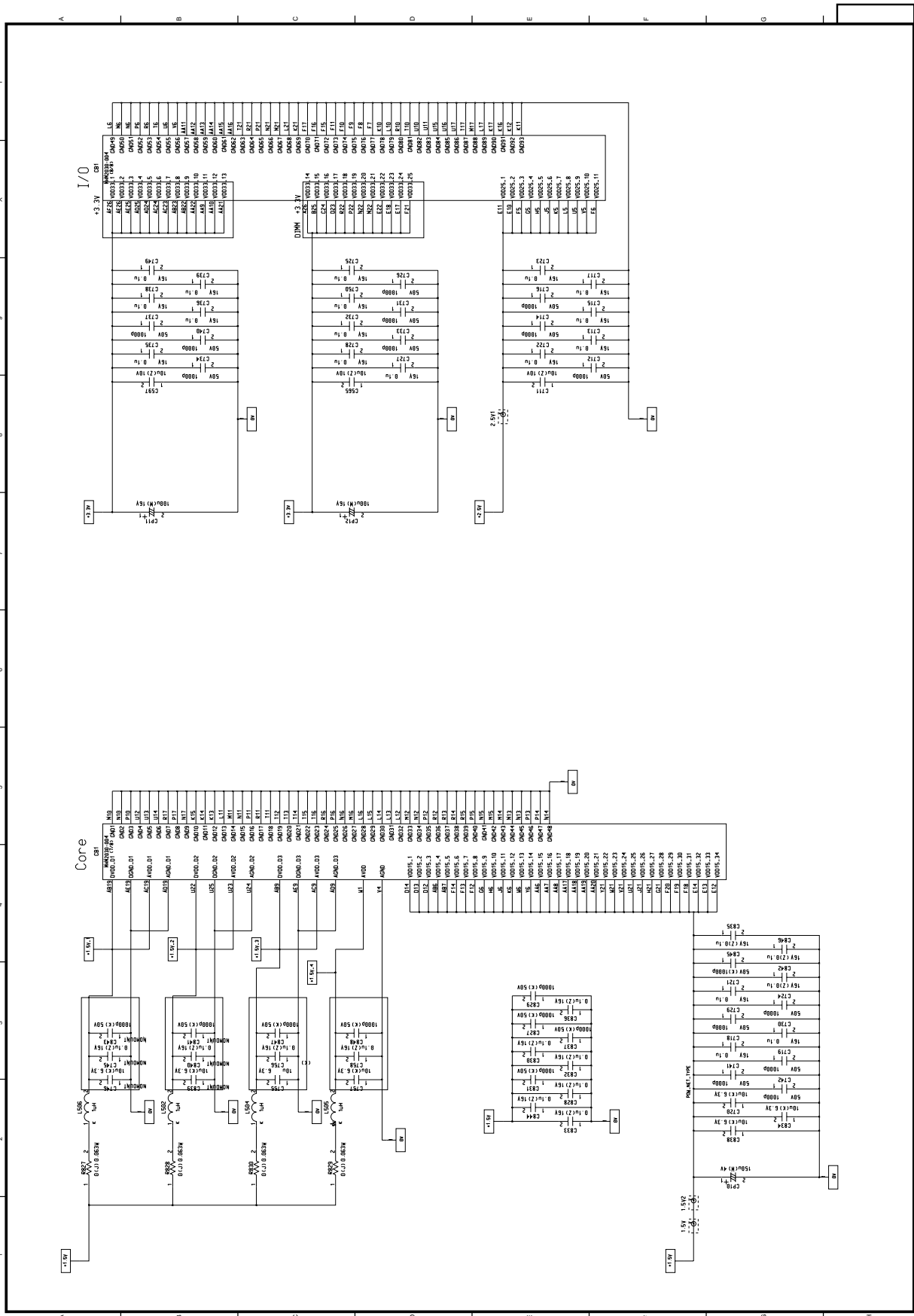


Figure 1-4 Main Controller PWB-VE (HMF C9500) (6/23)

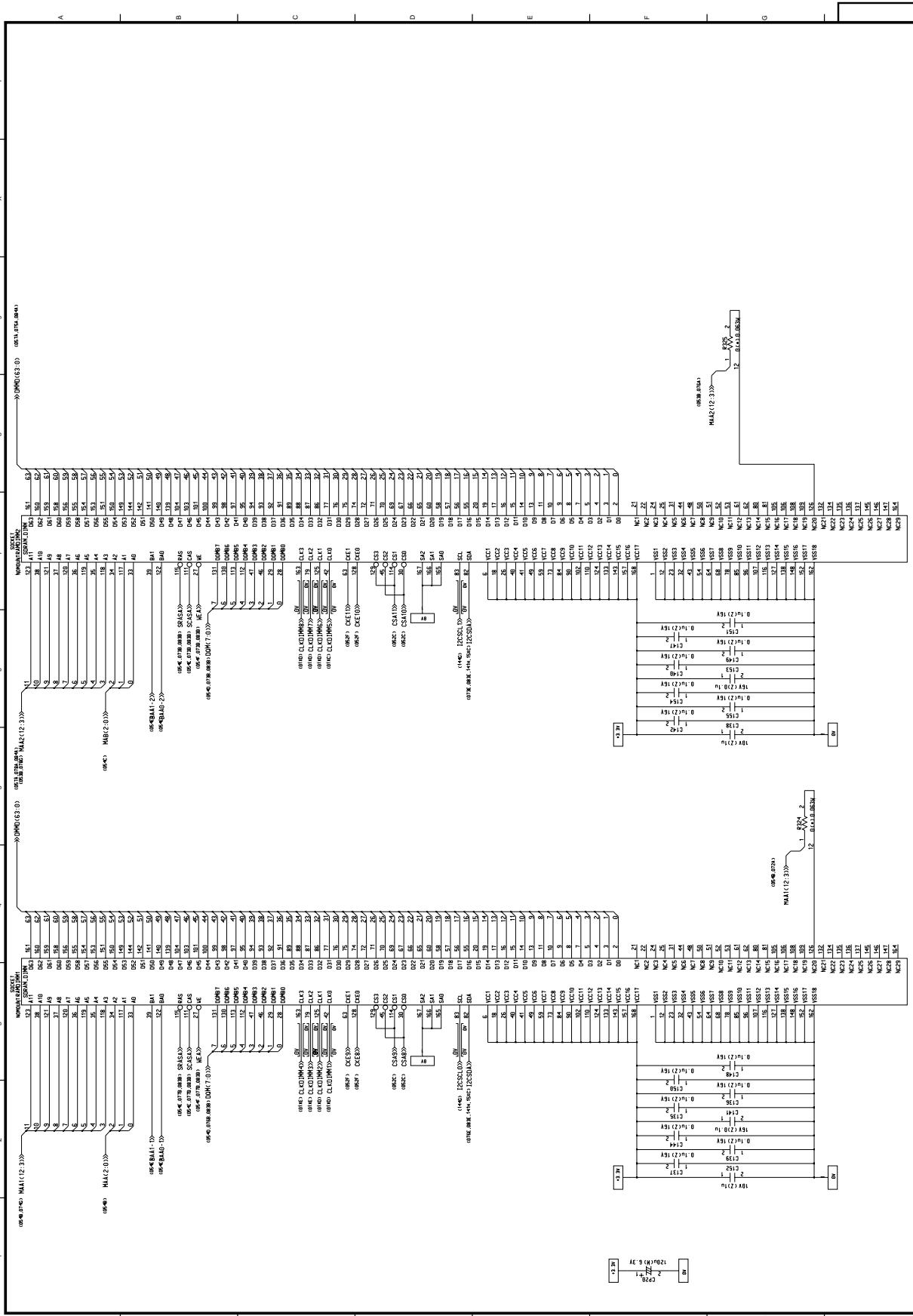


Figure 1-4 Main Controller PWB-VE (HMF C9500) (7/23)

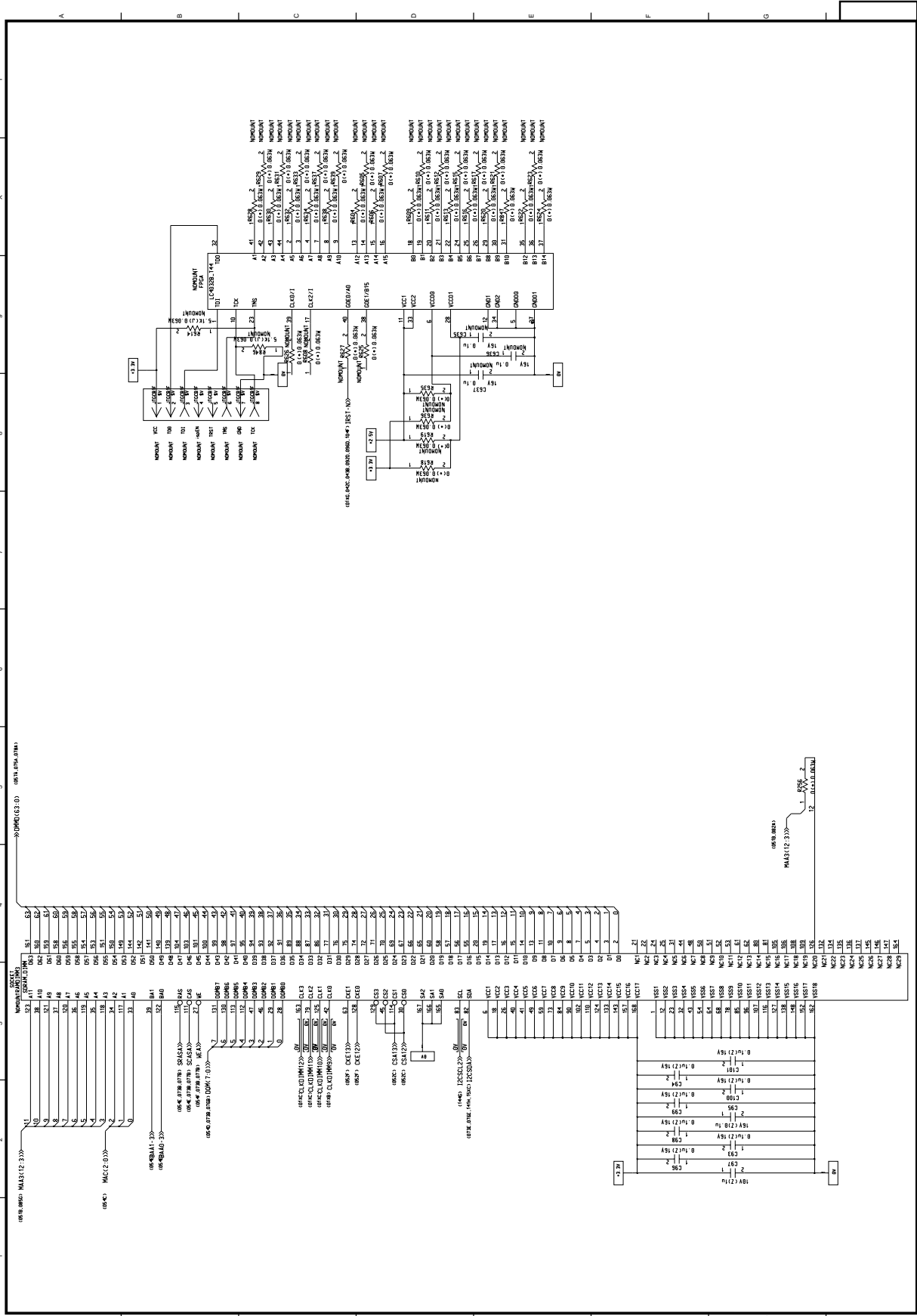


Figure 1-4 Main Controller PWB-VE (HMF C9500) (8/23)

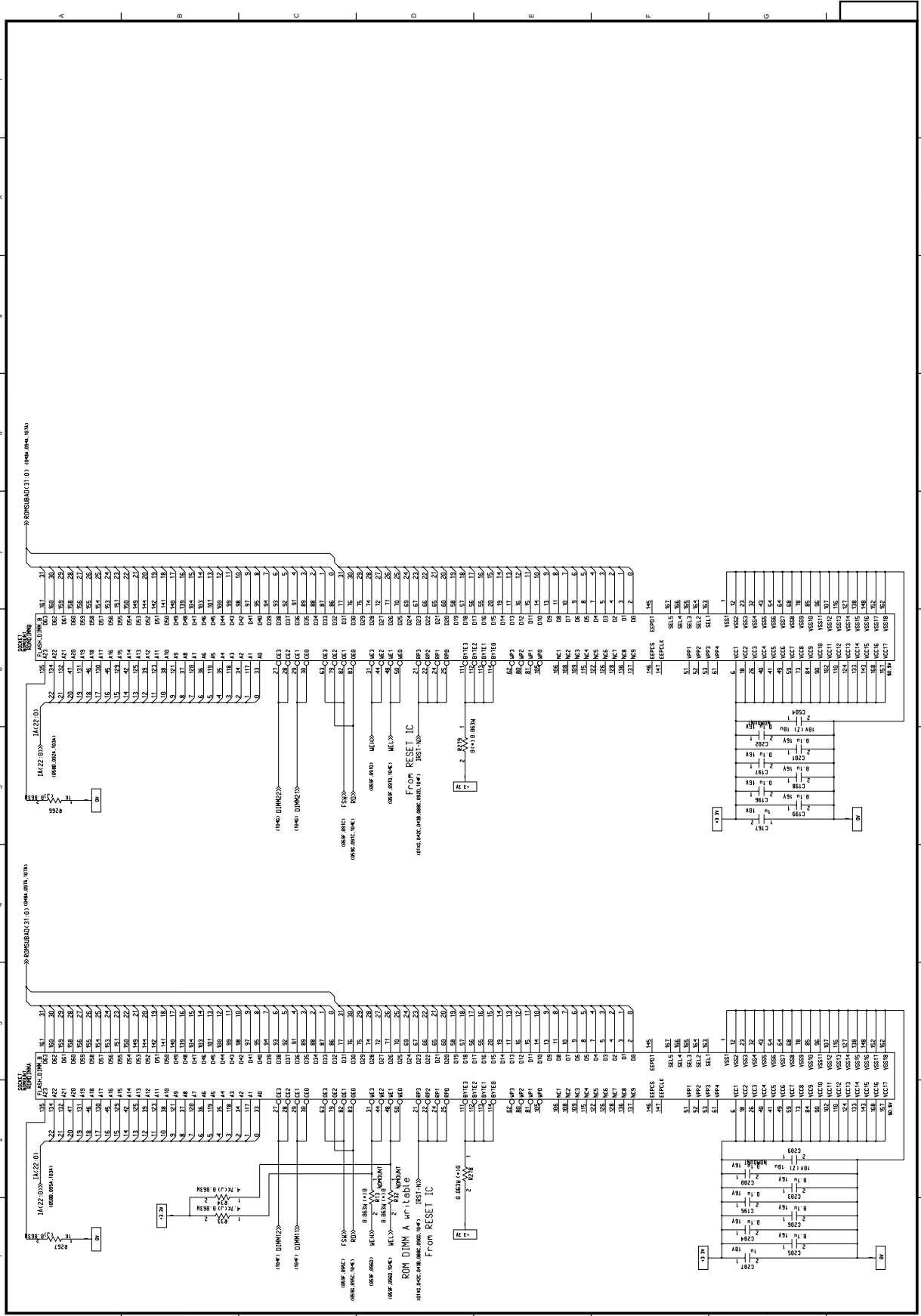


Figure 1-4 Main Controller PWB-VE (HMF C9500) (9/23)

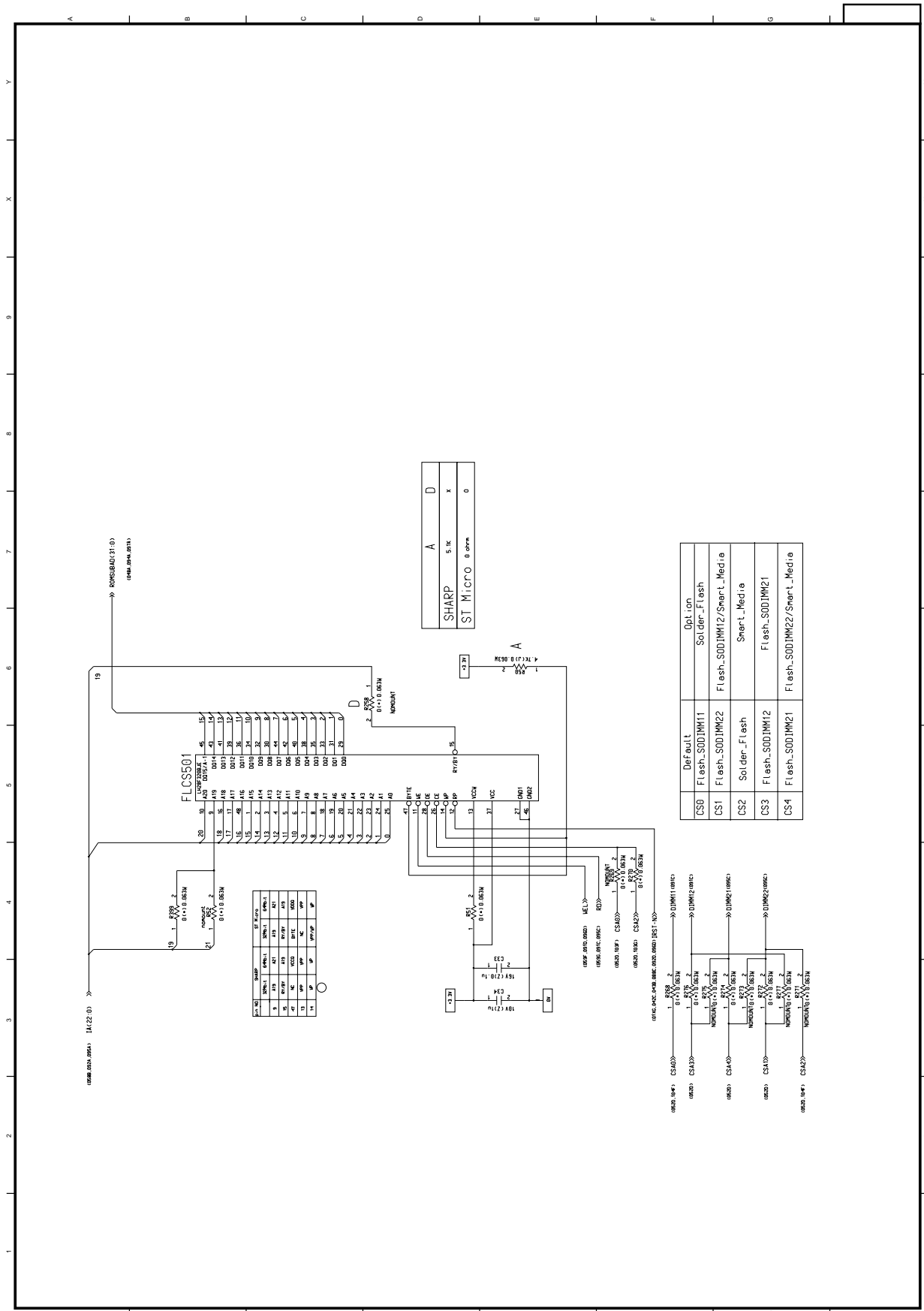
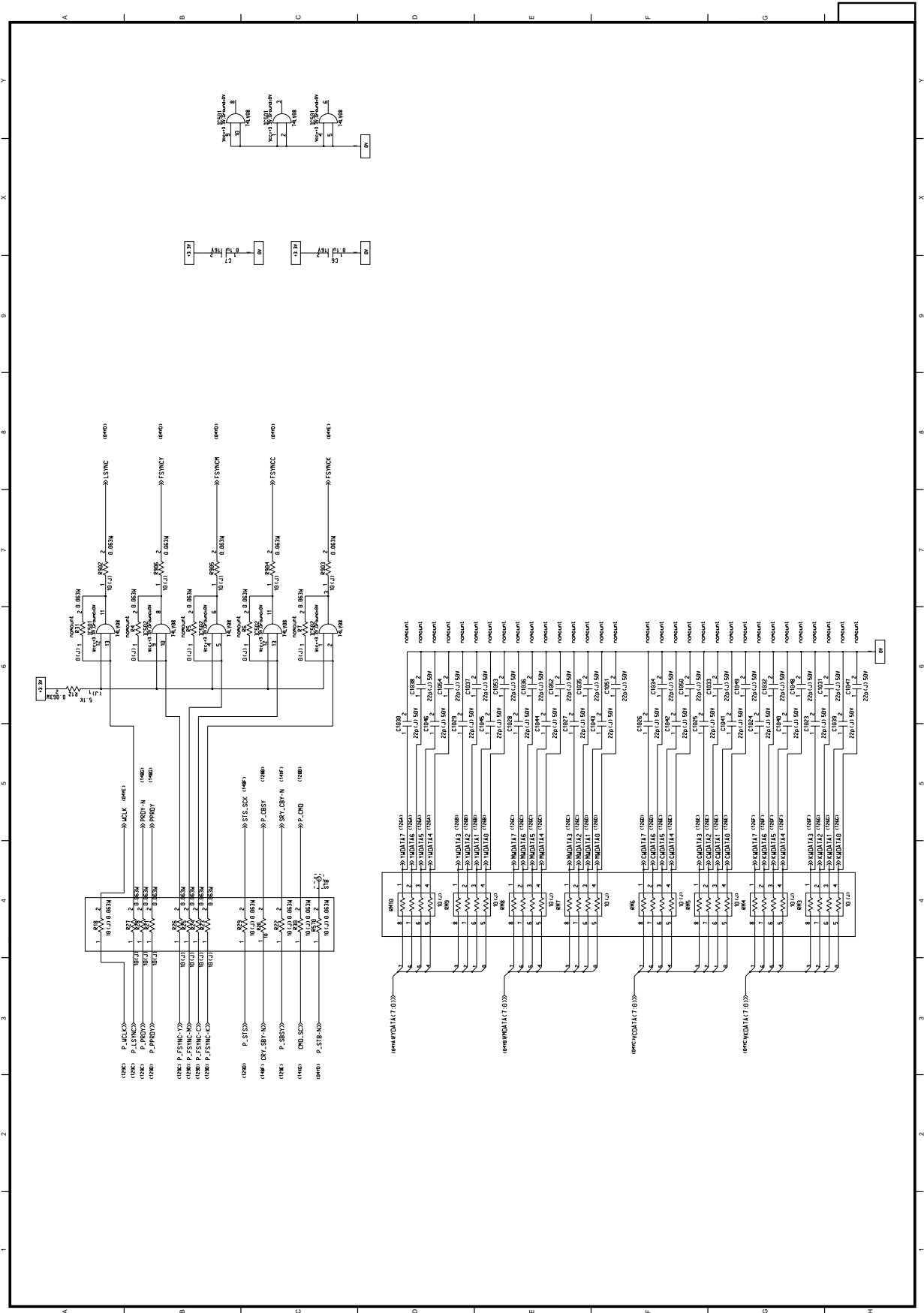


Figure 1-4 Main Controller PWB-VE (HMF C9500) (10/23)





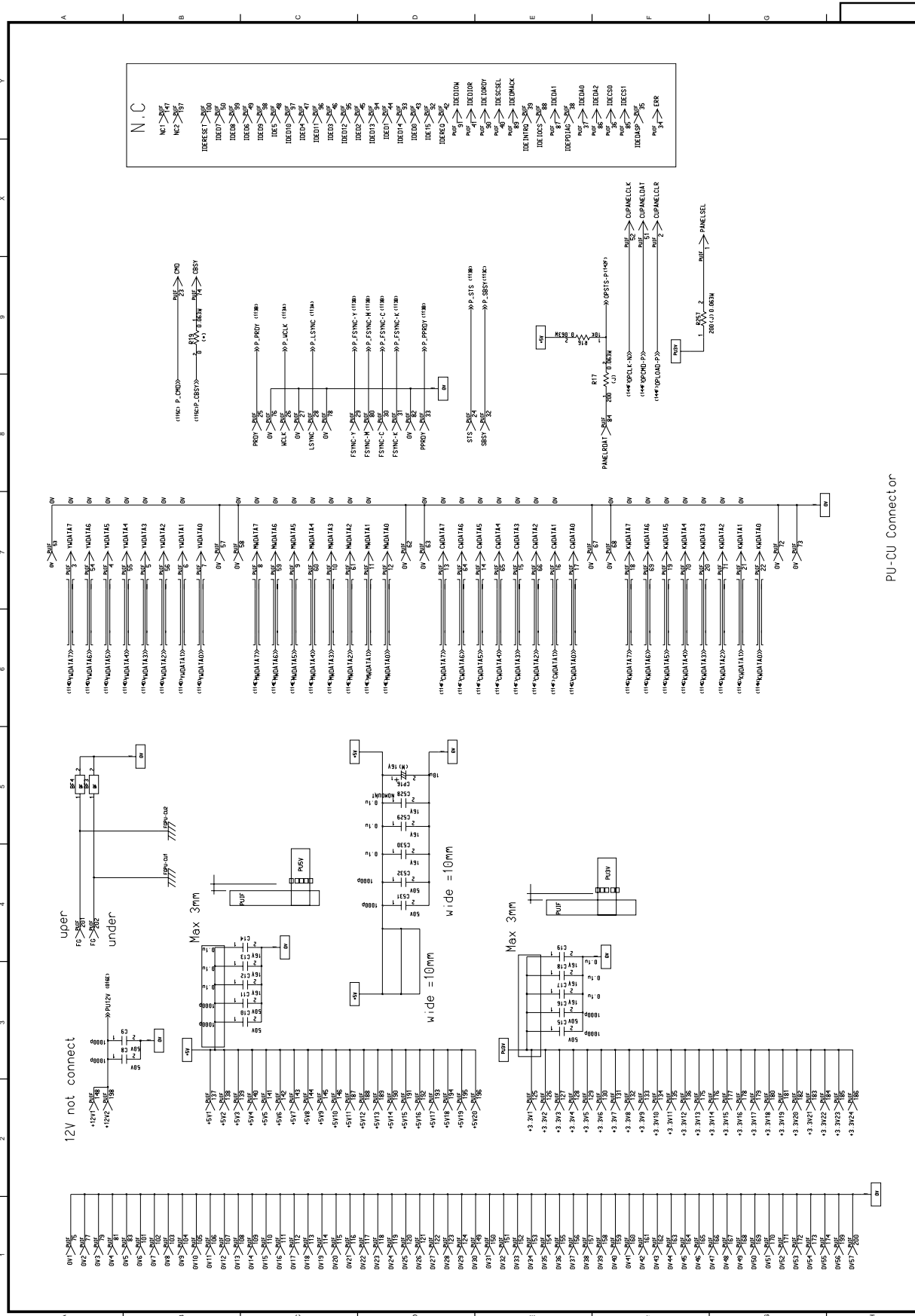


Figure 1-4 Main Controller PWB-VE (HMF C9500) (12/23)

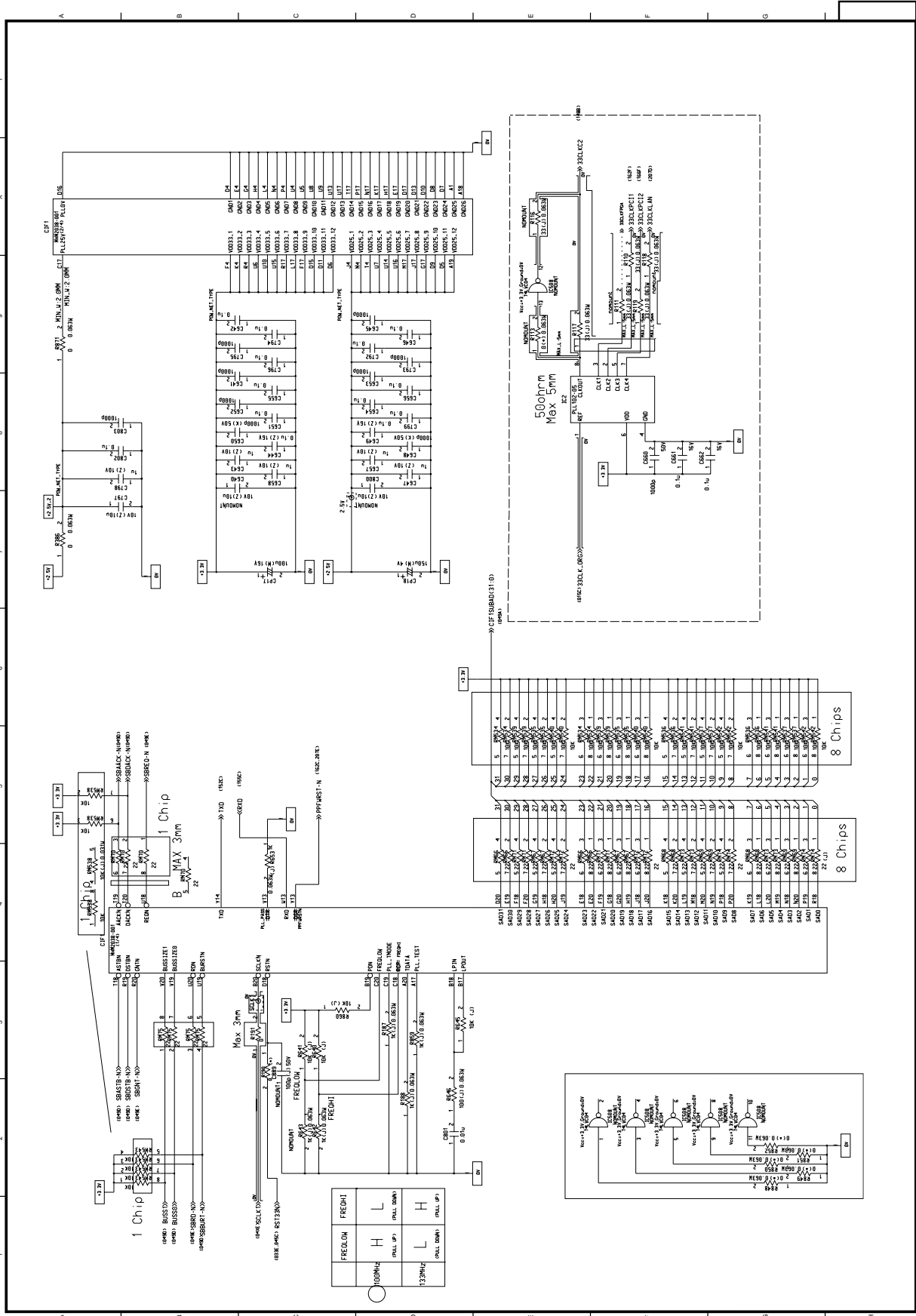


Figure 1-4 Main Controller PWB-VE (HMF C9500) (13/23)

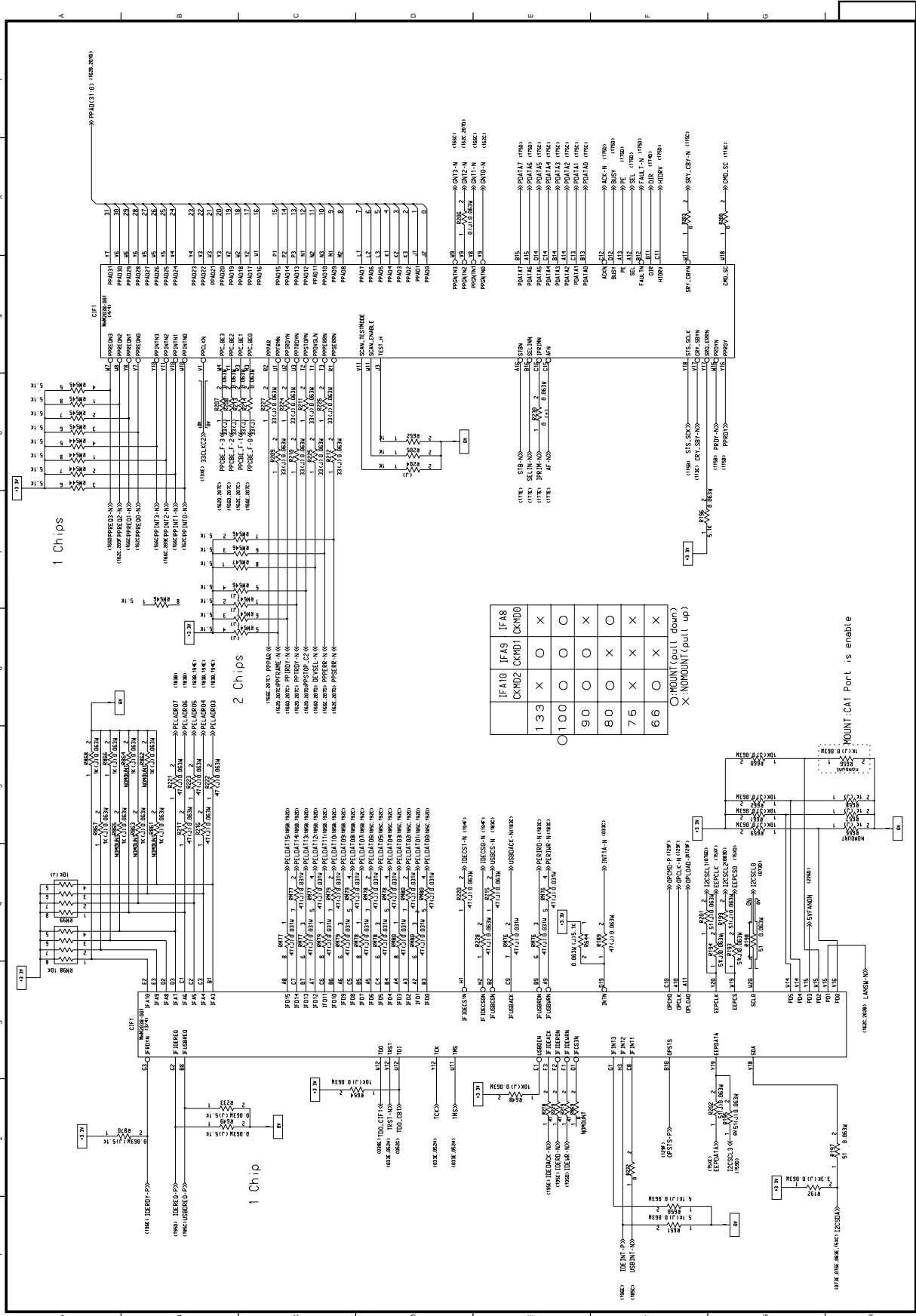


Figure 1-4 Main Controller PWB-VE (HMF C9500) (14/23)

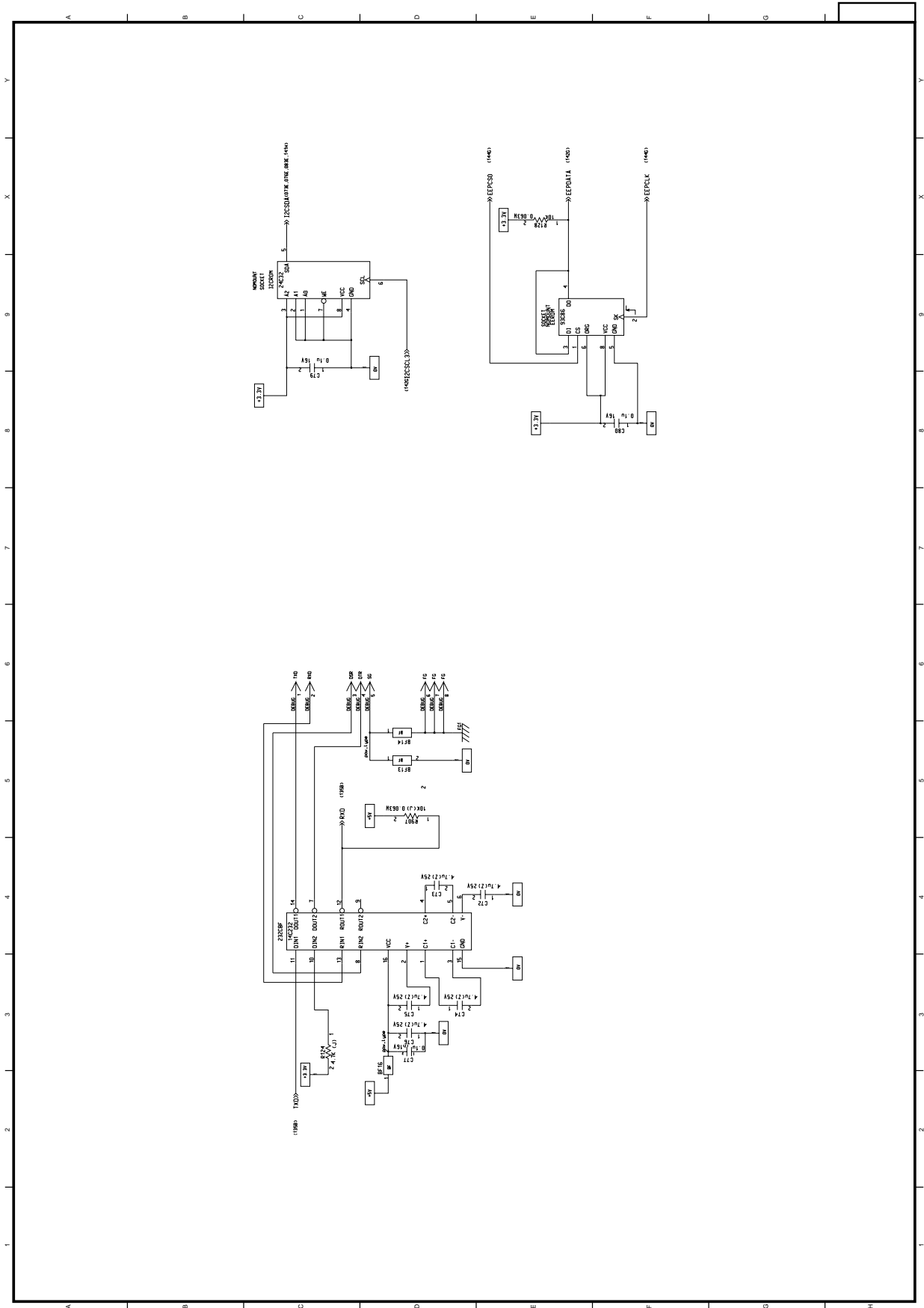


Figure 1-4 Main Controller PWB-VE (HMF C9500) (15/23)

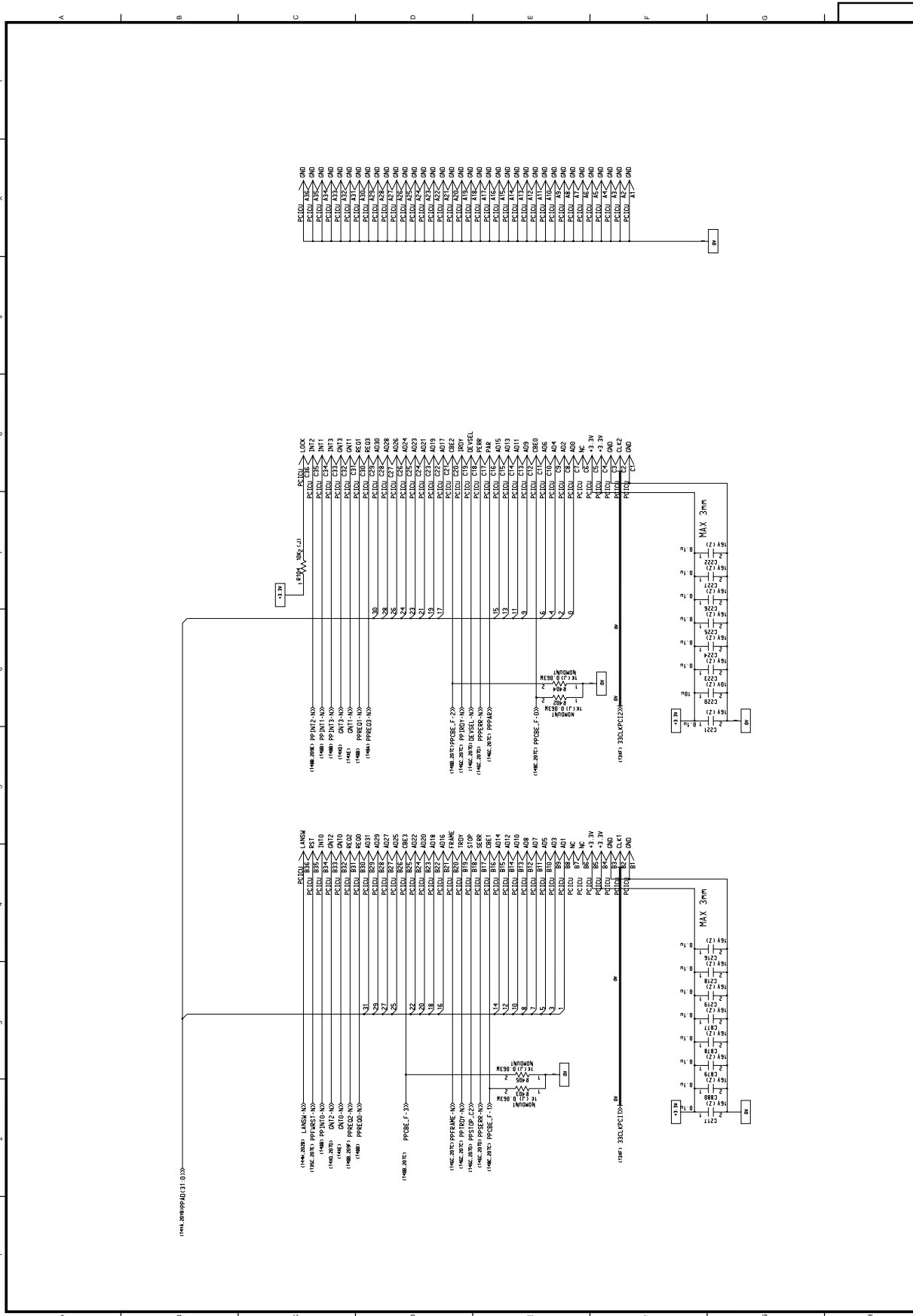


Figure 1-4 Main Controller PWB-VE (HMF C9500) (16/23)

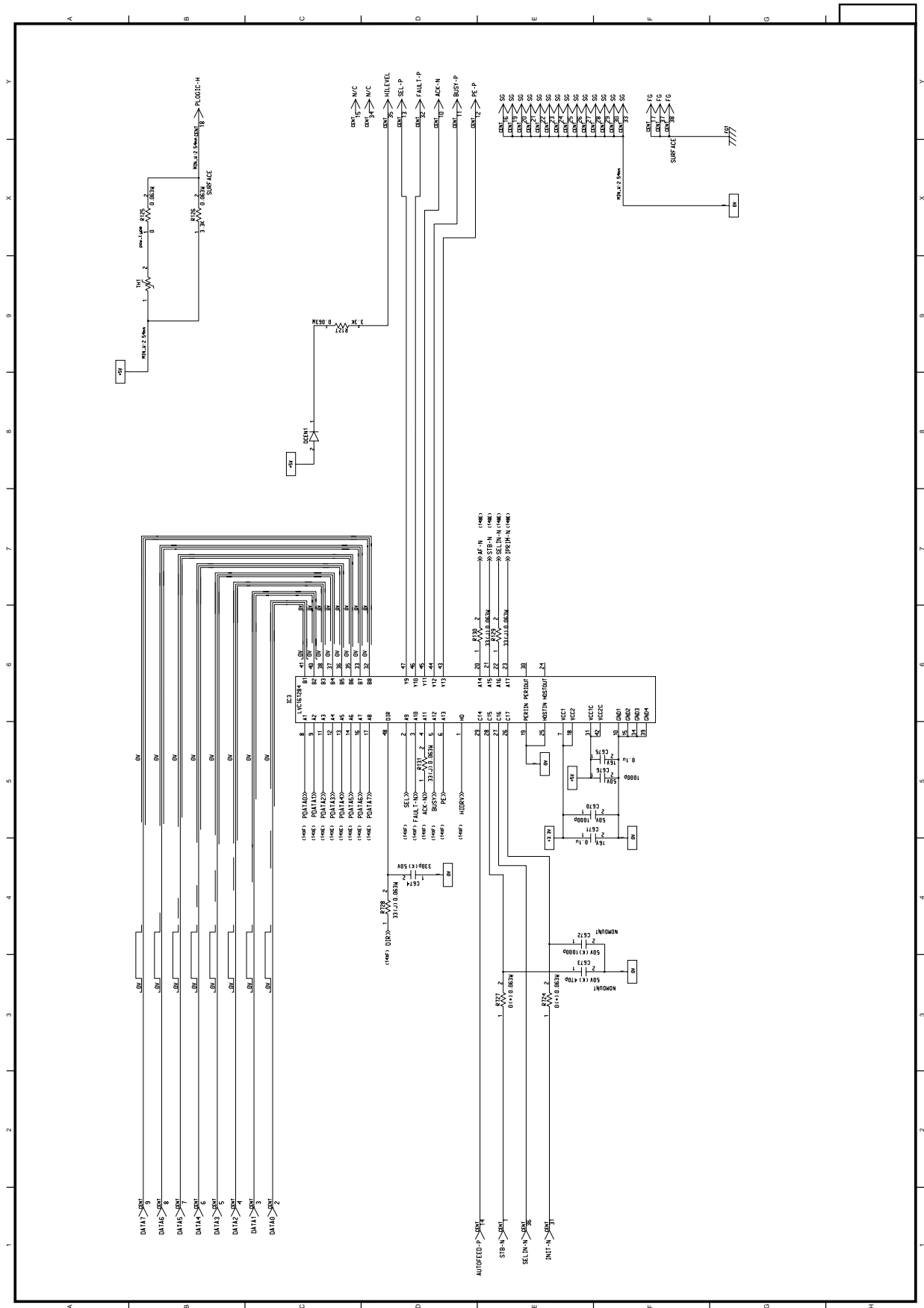


Figure 1-4 Main Controller PWB-VE (HMF C9500) (17/23)

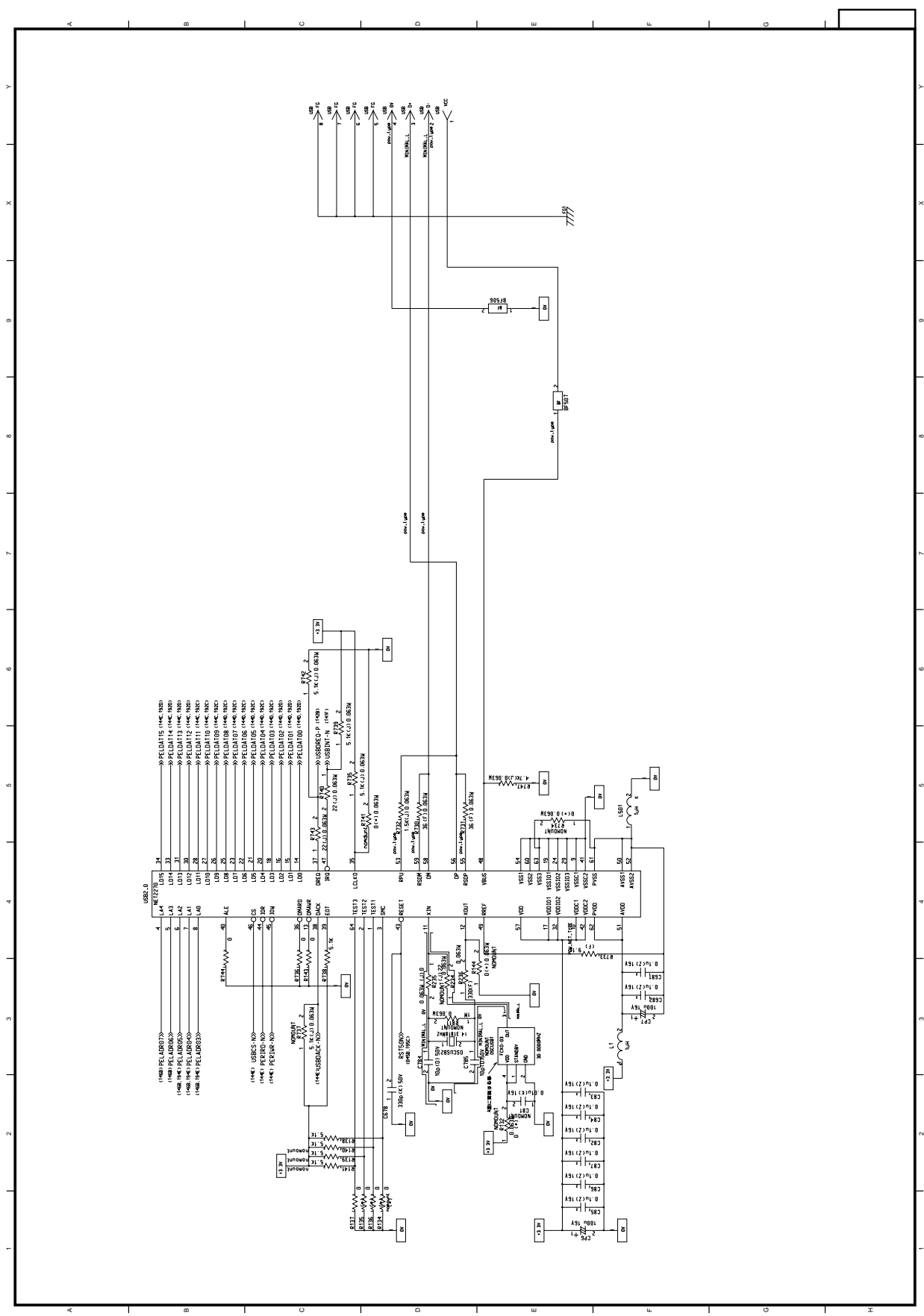


Figure 1-4 Main Controller PWB-VE (HMF C9500) (18/23)

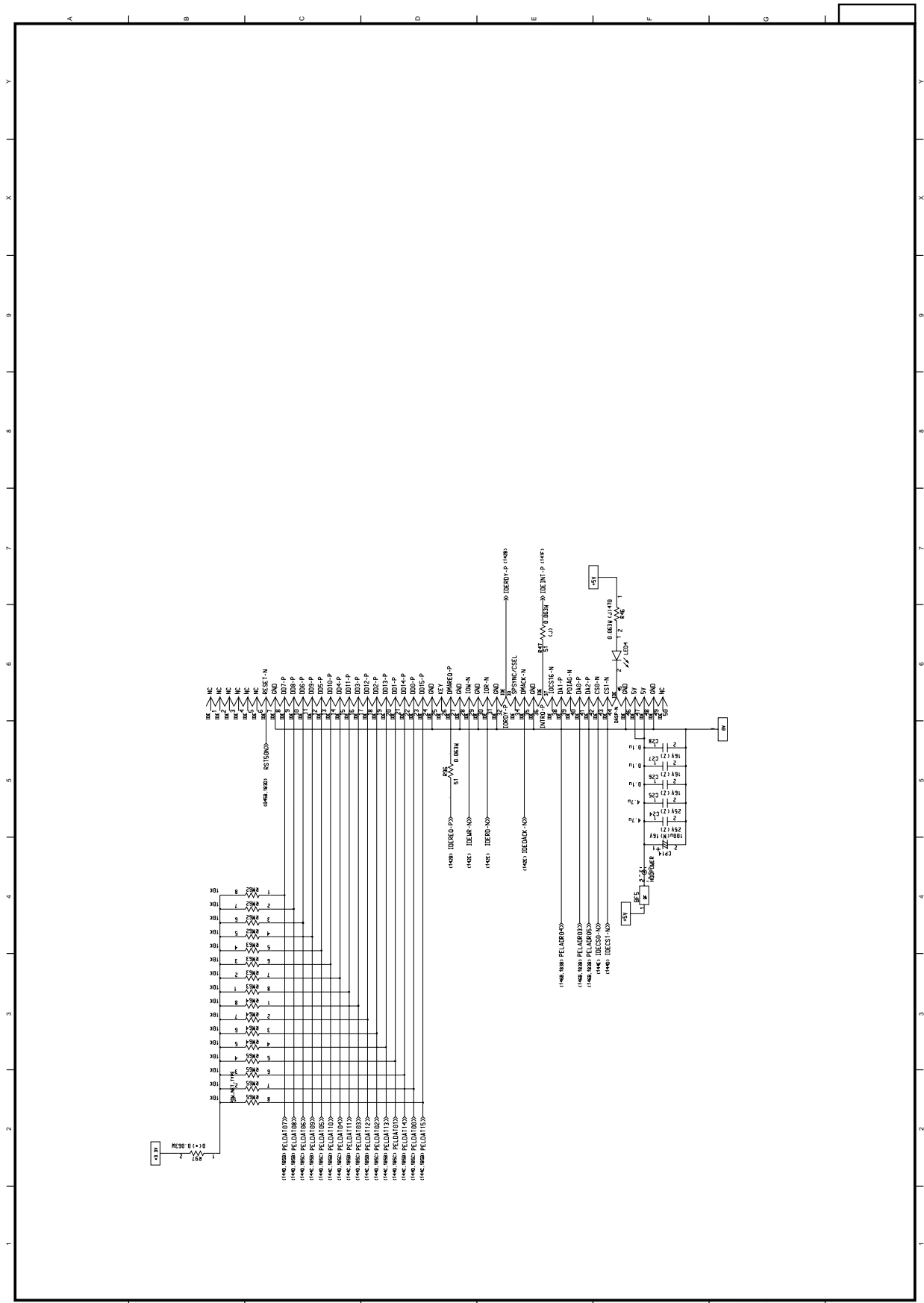


Figure 1-4 Main Controller PWB-VE (HMF C9500) (19/23)



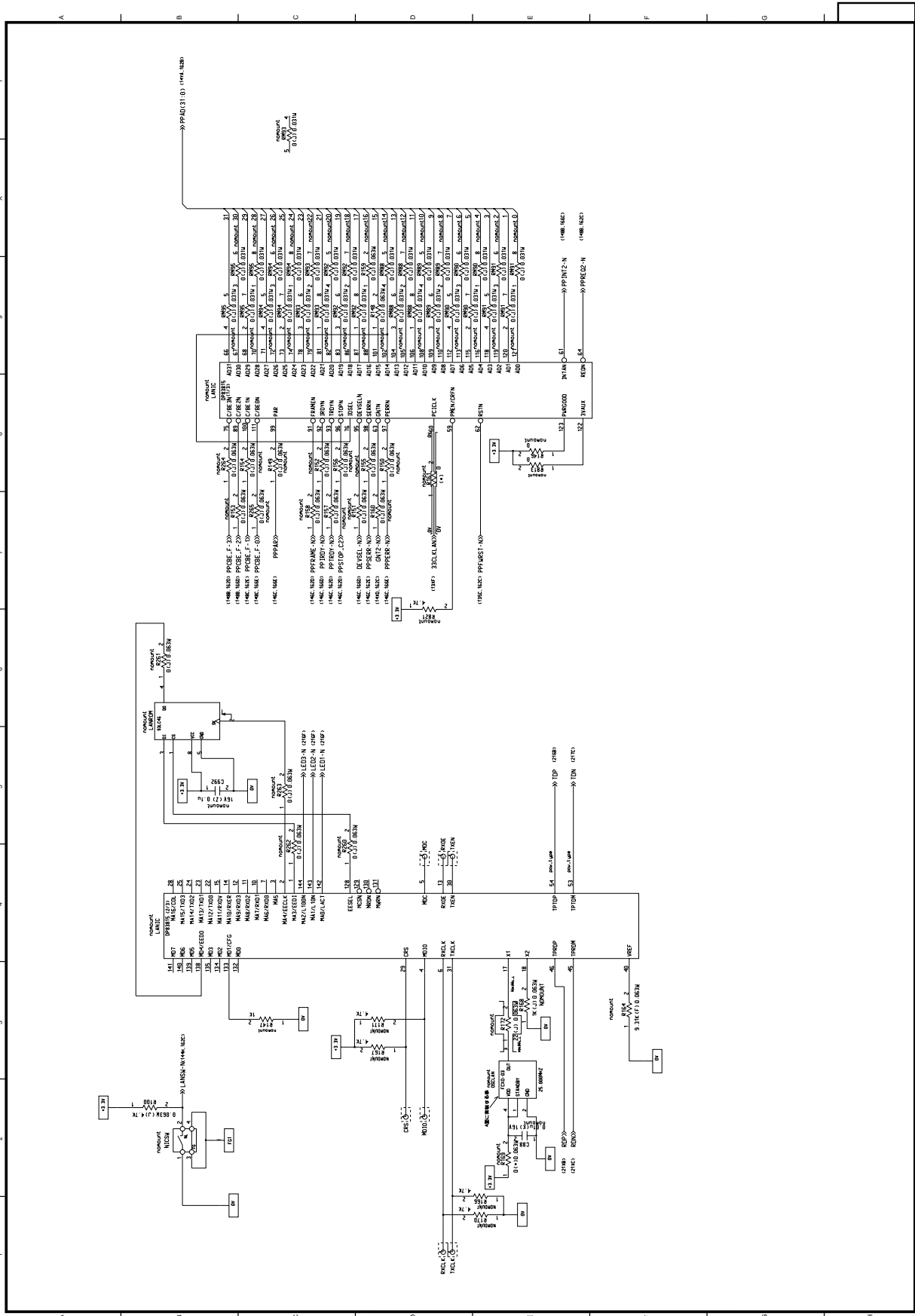


Figure 1-4 Main Controller PWB-VE (HMF C9500) (20/23)

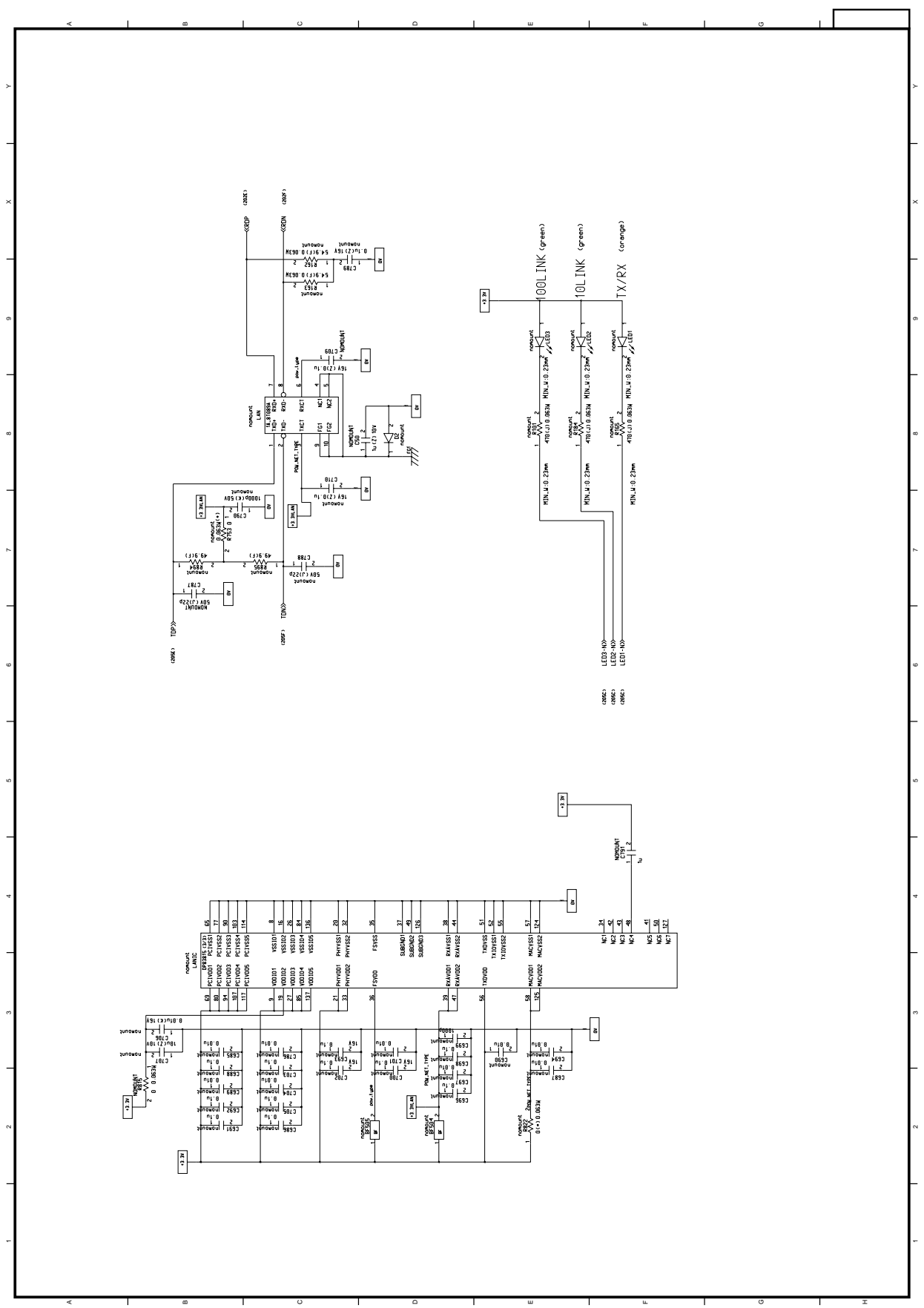


Figure 1-4 Main Controller PWB-VE (HMF C9500) (21/23)

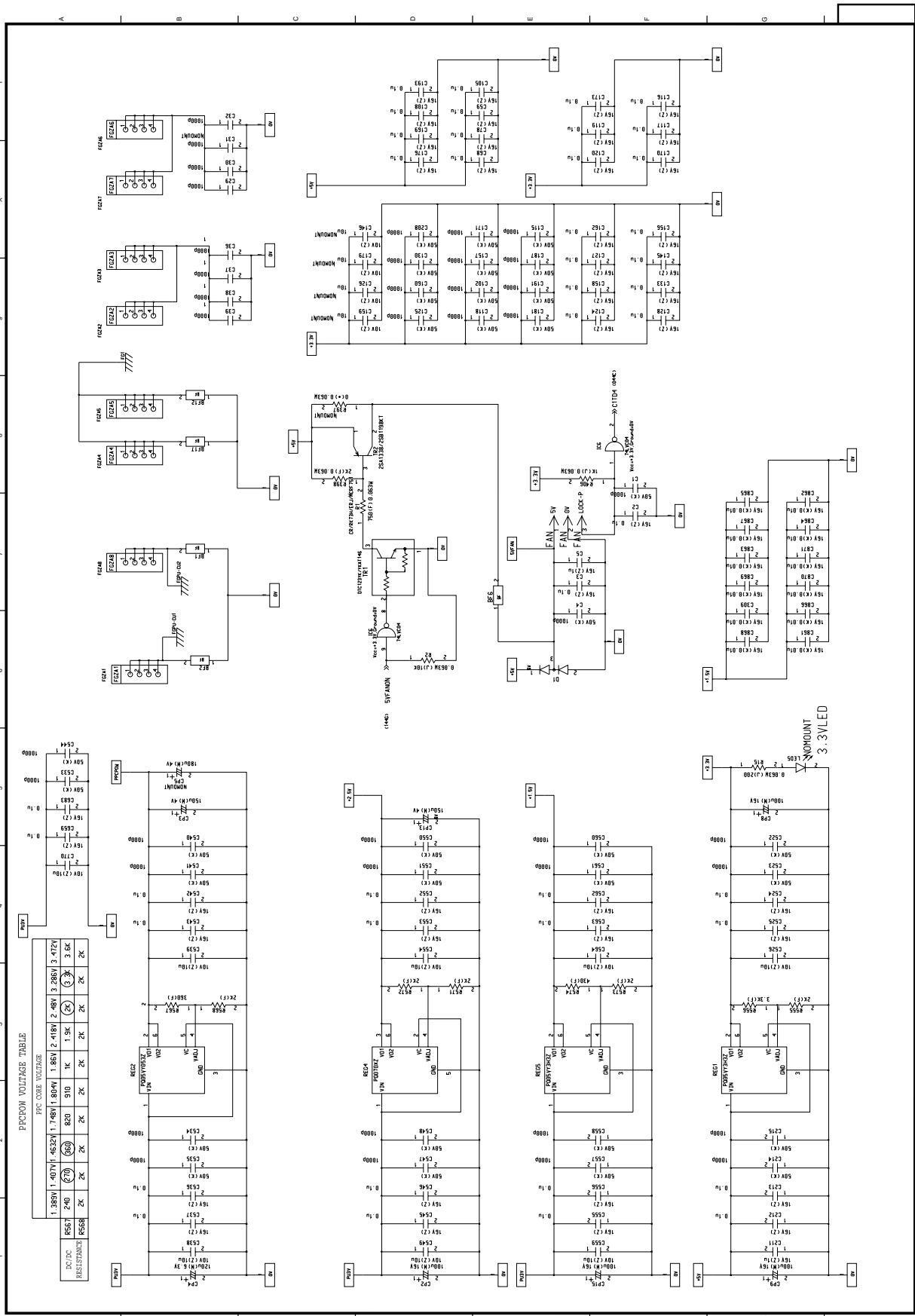


Figure 1-4 Main Controller PWB-VE (HMF C9500) (22/23)

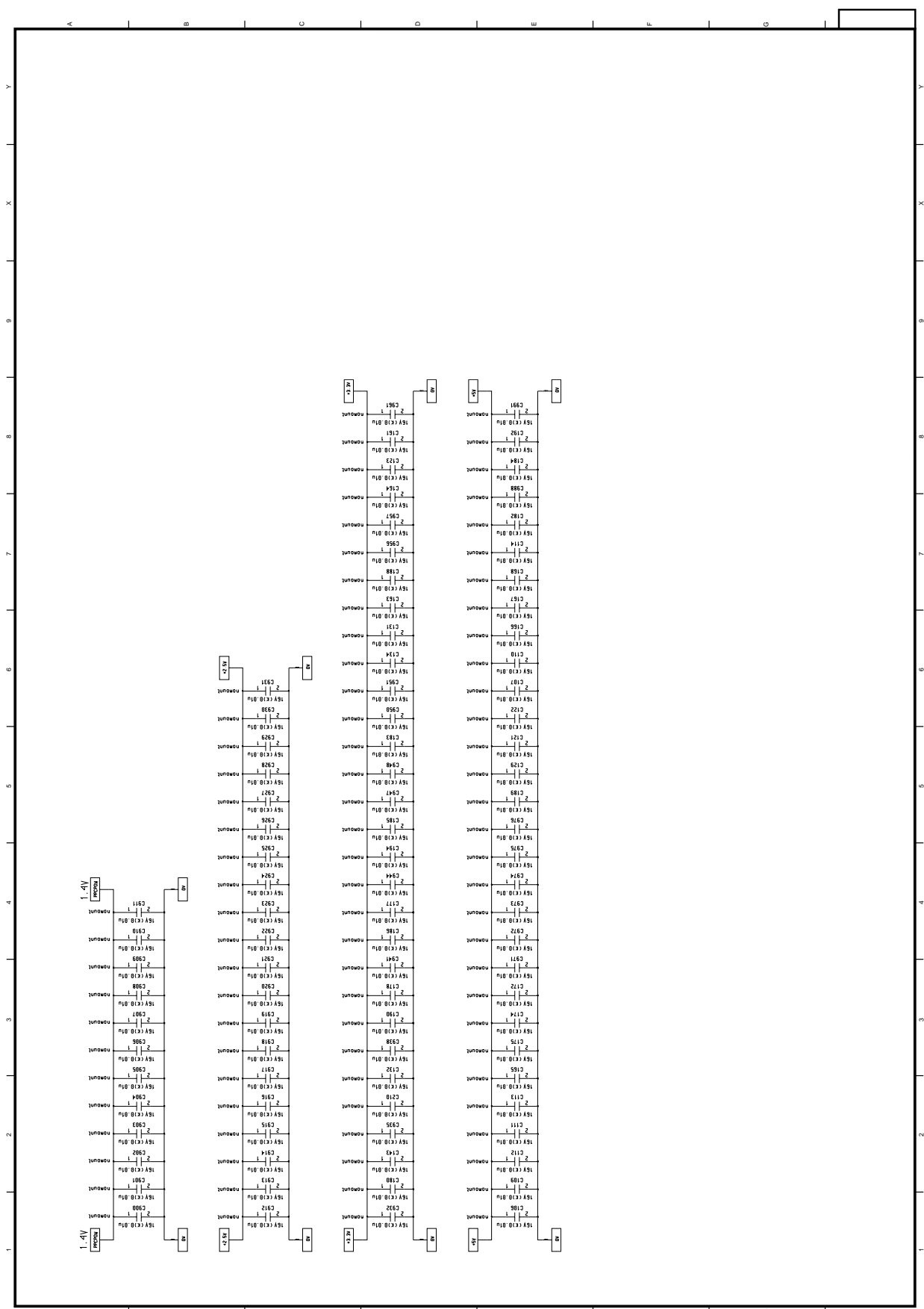


Figure 1-4 Main Controller PWB-VE (HMF C9500) (23/23)

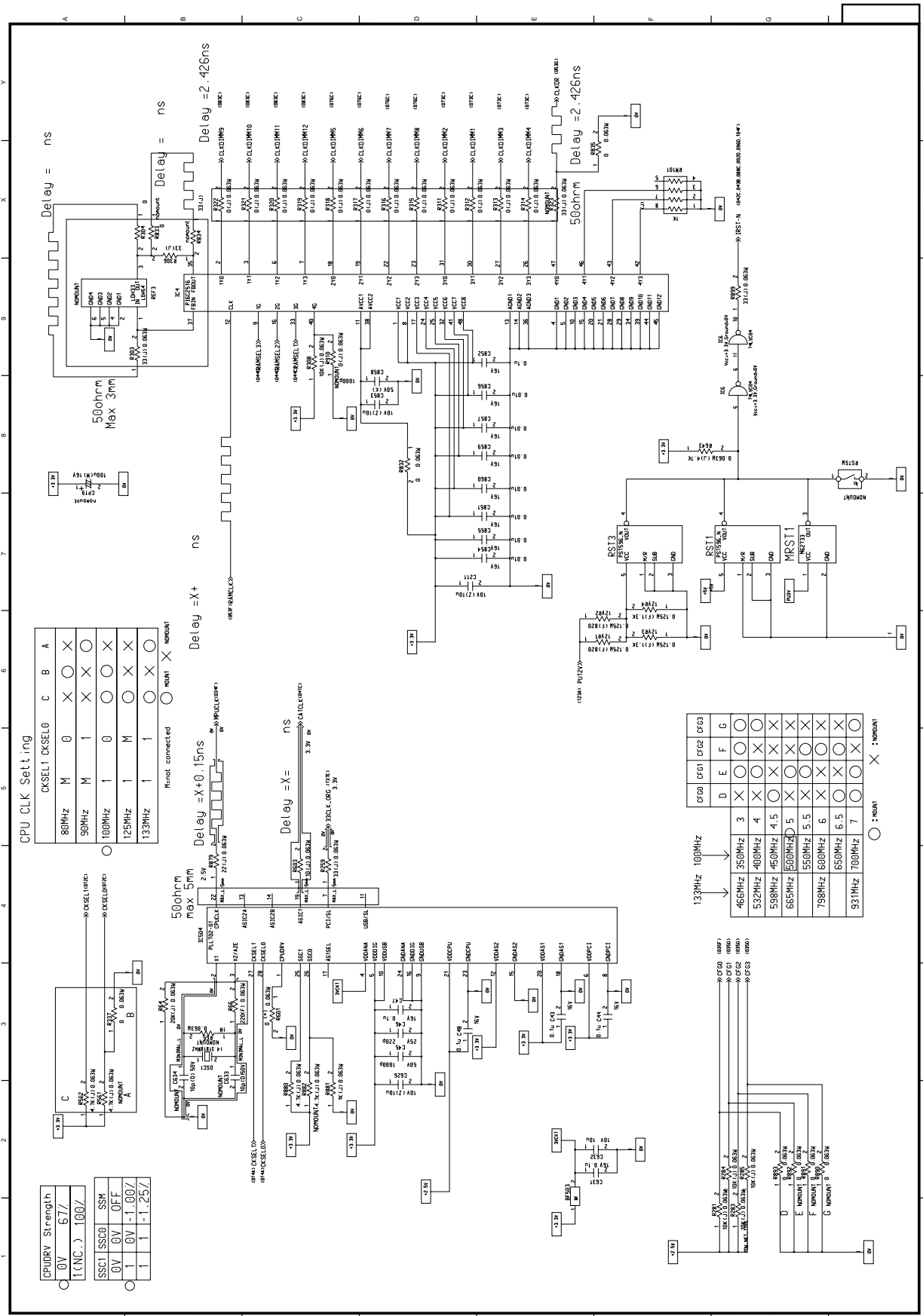


Figure 1-5 Main Controller PWB-VE (HME C9300/C7500/C7300/C7100) (1/23)

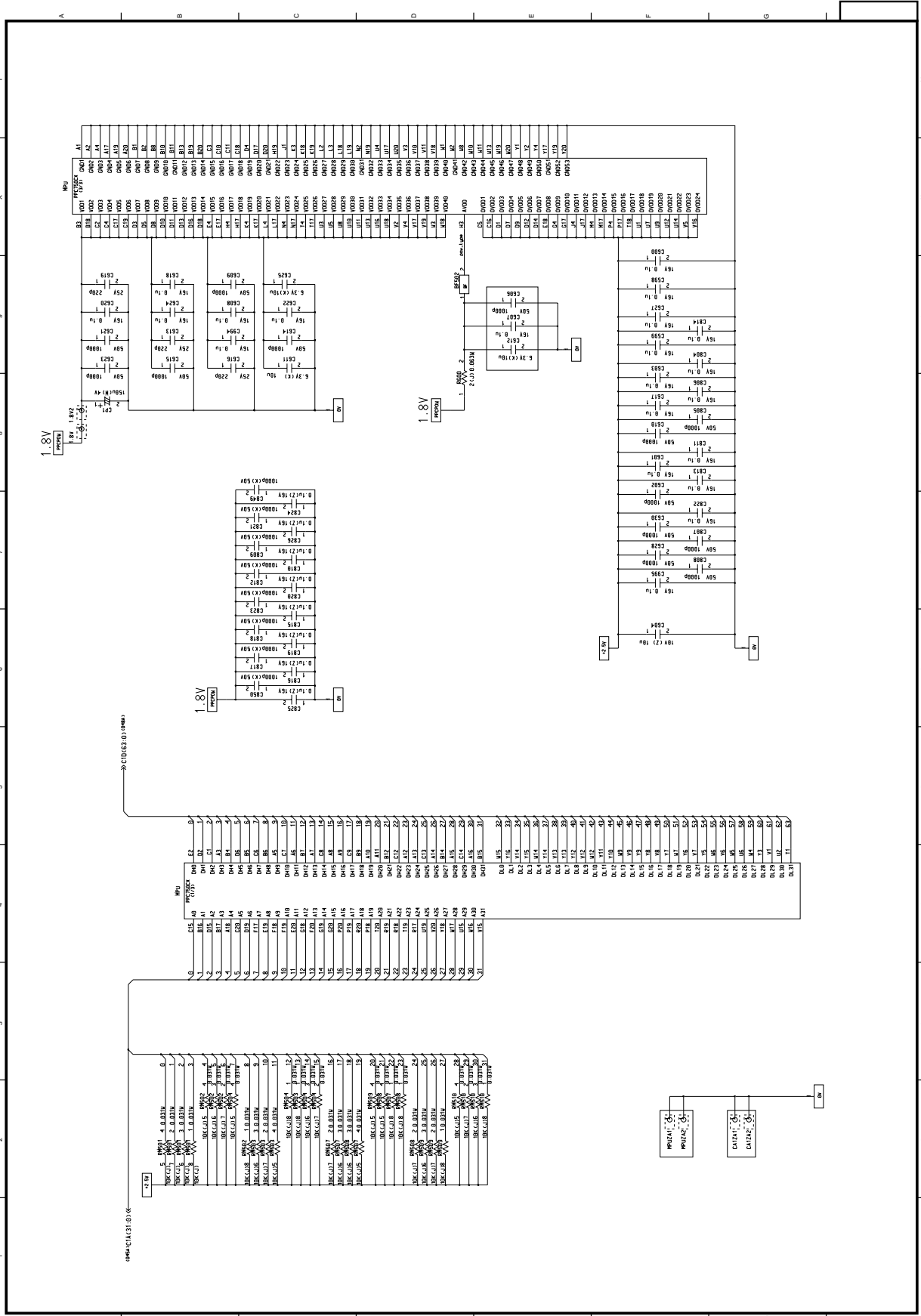


Figure 1-5 Main Controller PWB-VE (HME C9300/C7500/C7300/C7100) (2/23)

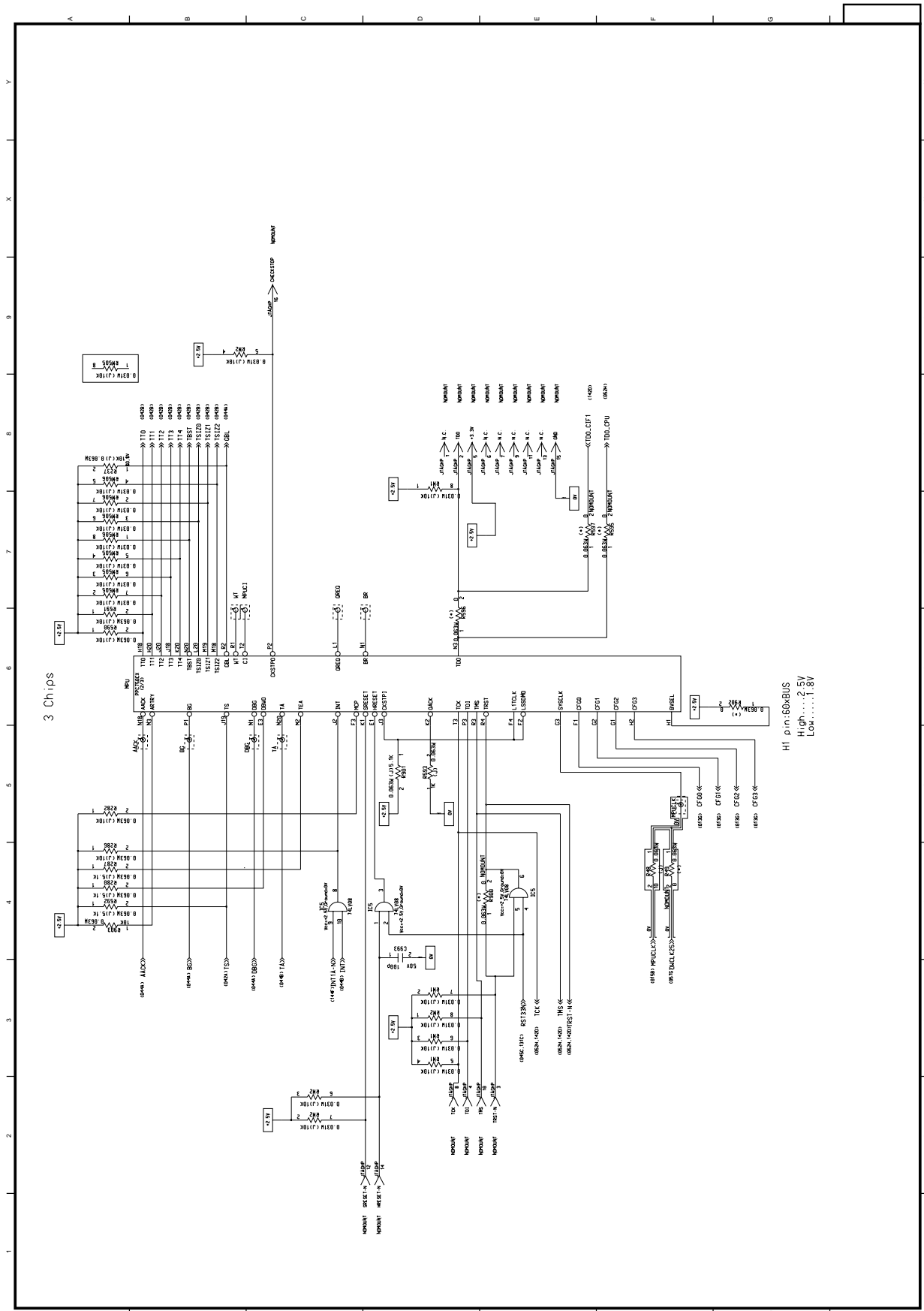


Figure 1-5 Main Controller PWB-VE (HME C9300/C7500/C7300/C7100) (3/23)

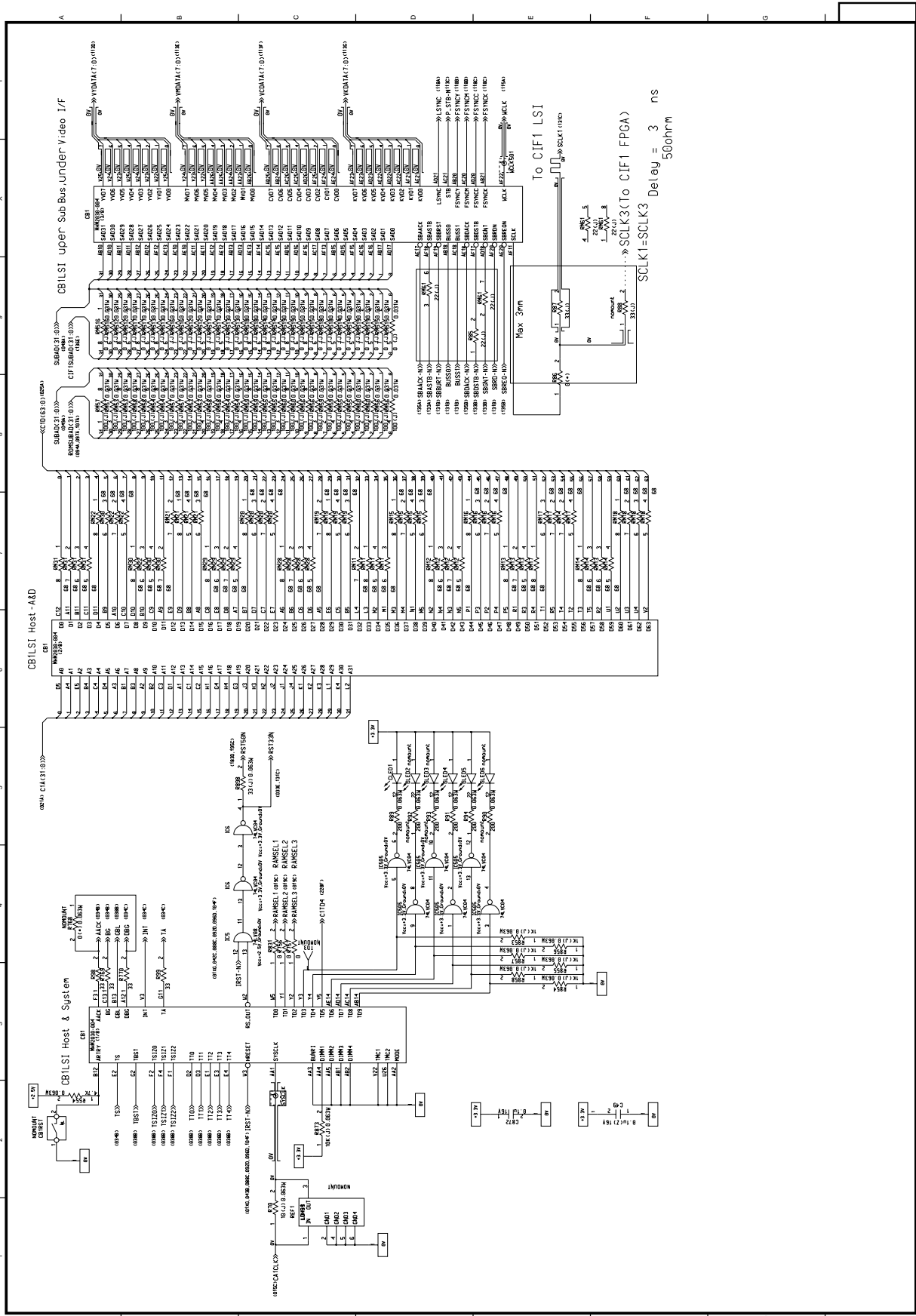


Figure 1-5 Main Controller PWB-VE (HME C9300/C7500/C7300/C7100) (4/23)



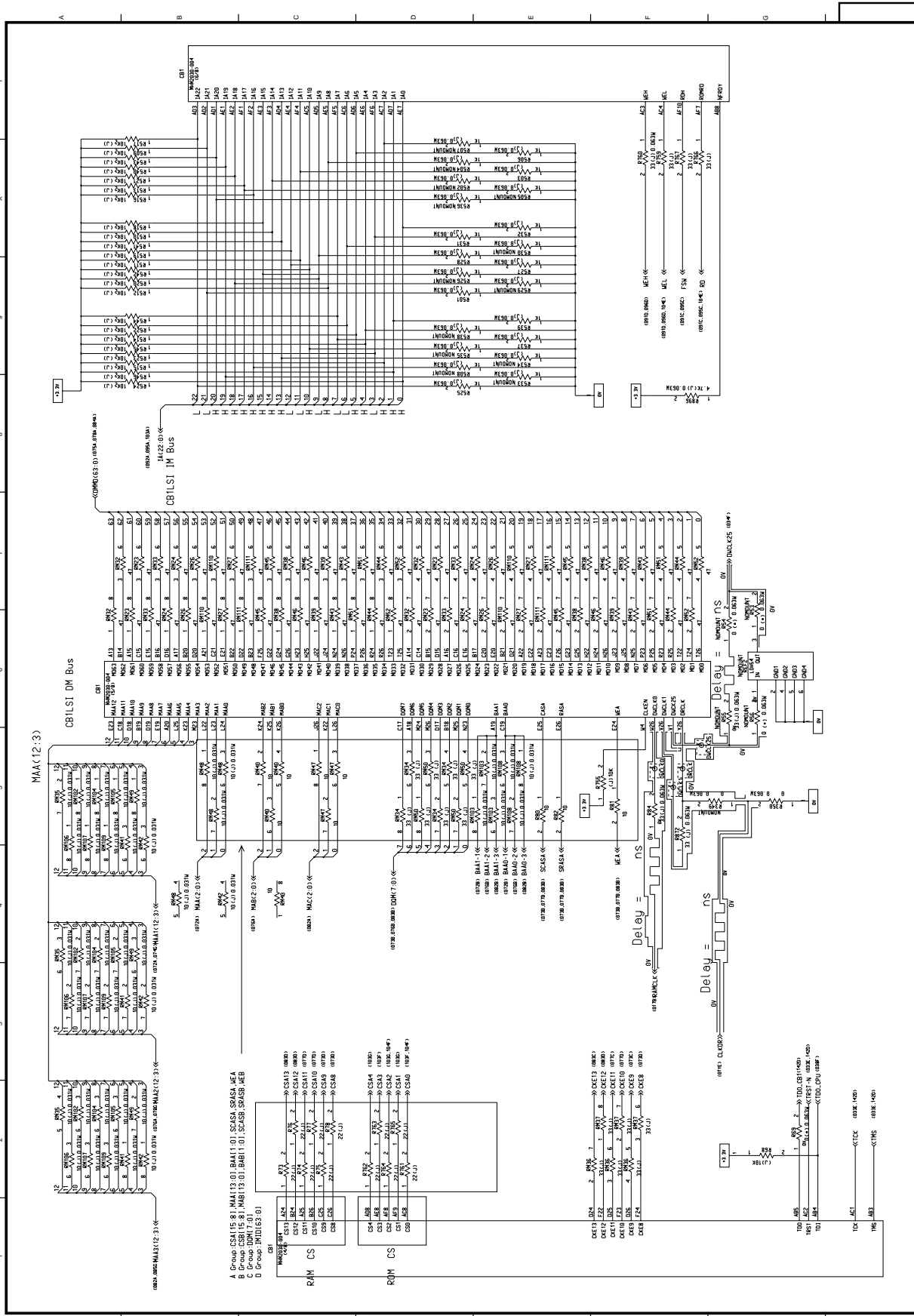


Figure 1-5 Main Controller PWB-VE (HME C9300/C7500/C7300/C7100) (5/23)

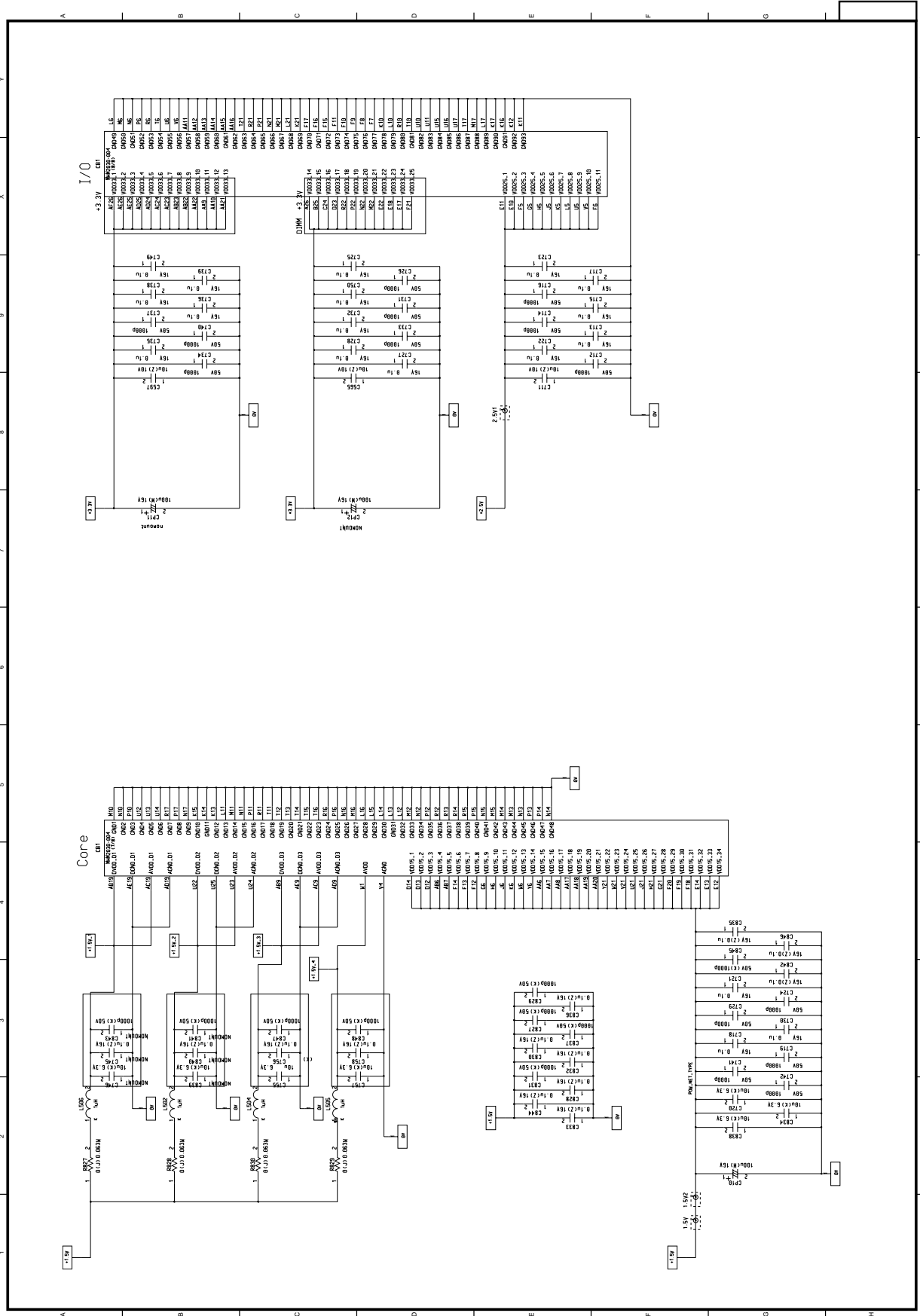


Figure 1-5 Main Controller PWB-VE (HME C9300/C7500/C7300/C7100) (6/23)

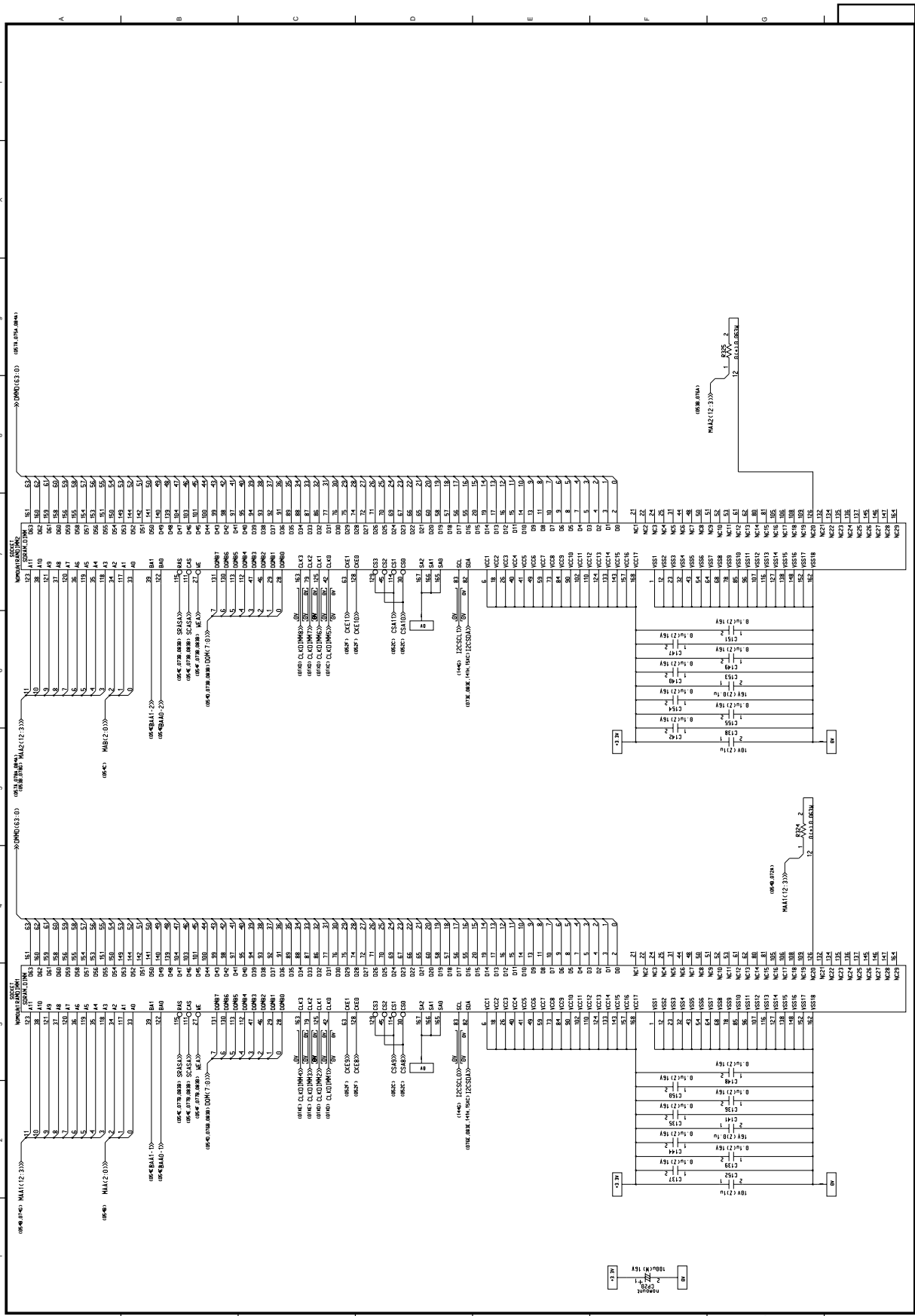


Figure 1-5 Main Controller PWB-VE (HME C9300/C7500/C7300/C7100) (7/23)

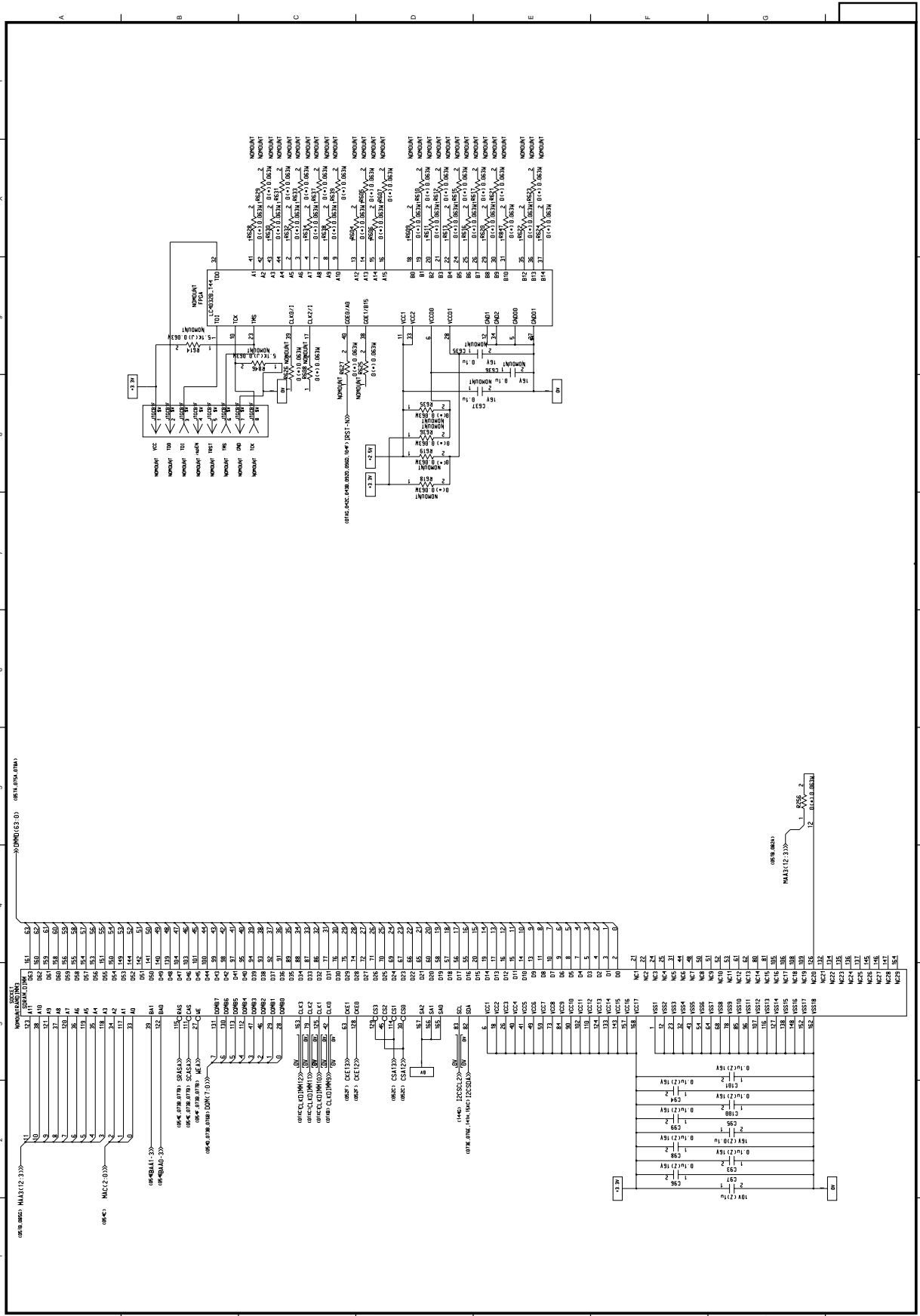


Figure 1-5 Main Controller PWB-VE (HME C9300/C7500/C7300/C7100) (8/23)

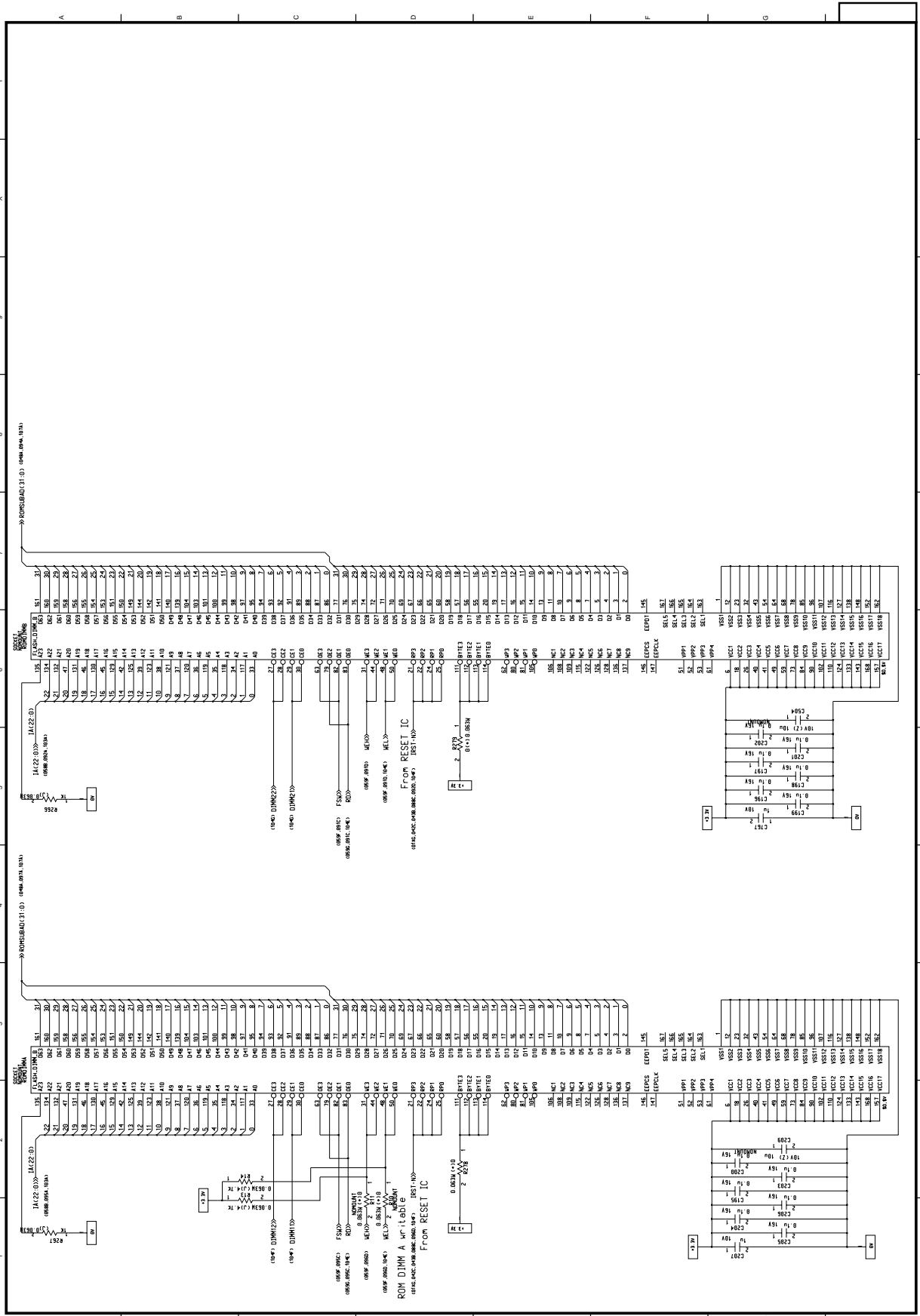


Figure 1-5 Main Controller PWB-VE (HME C9300/C7500/C7300/C7100) (9/23)

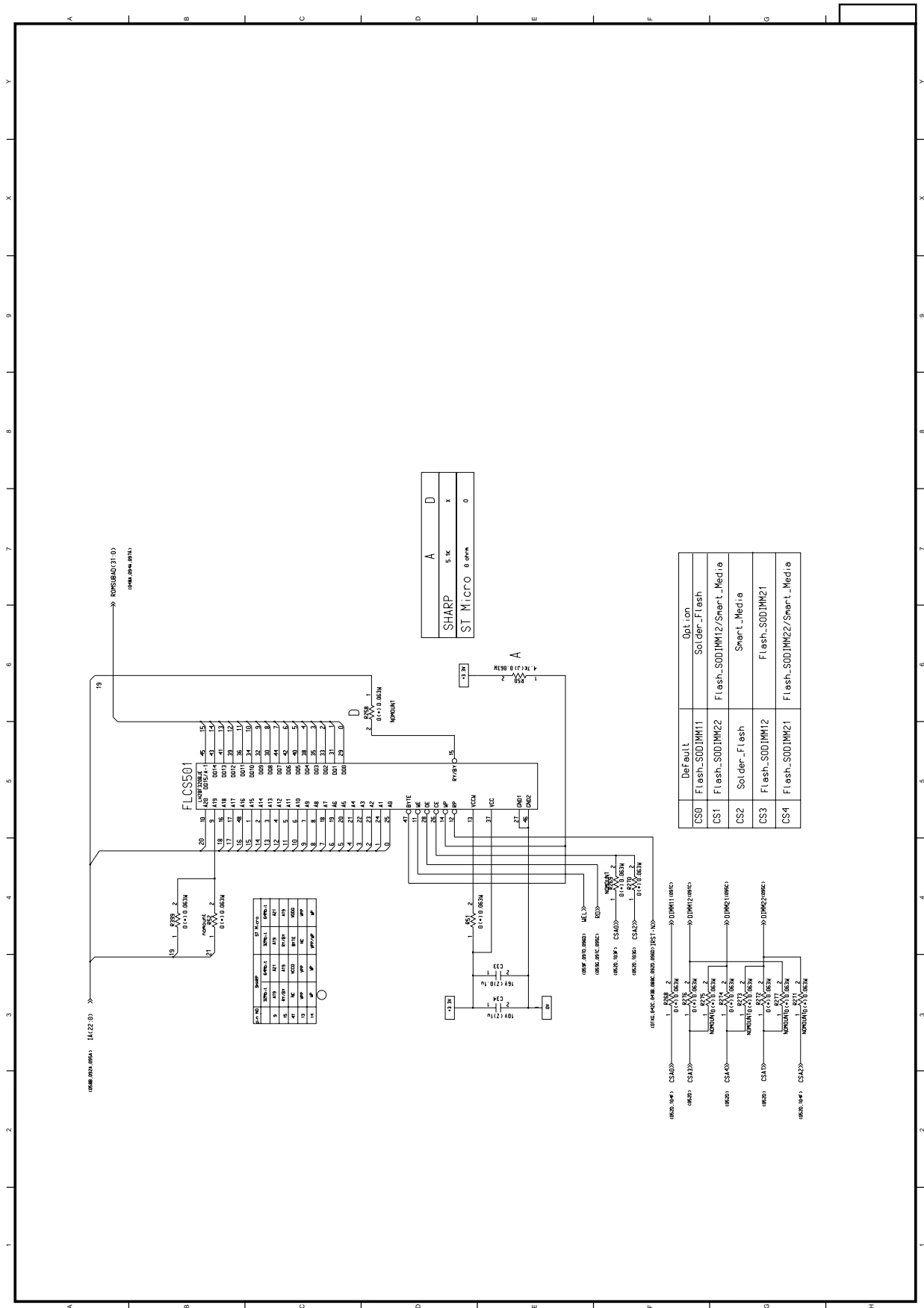


Figure 1-5 Main Controller PWB-VE (HME C9300/C7500/C7300/C7100) (10/23)

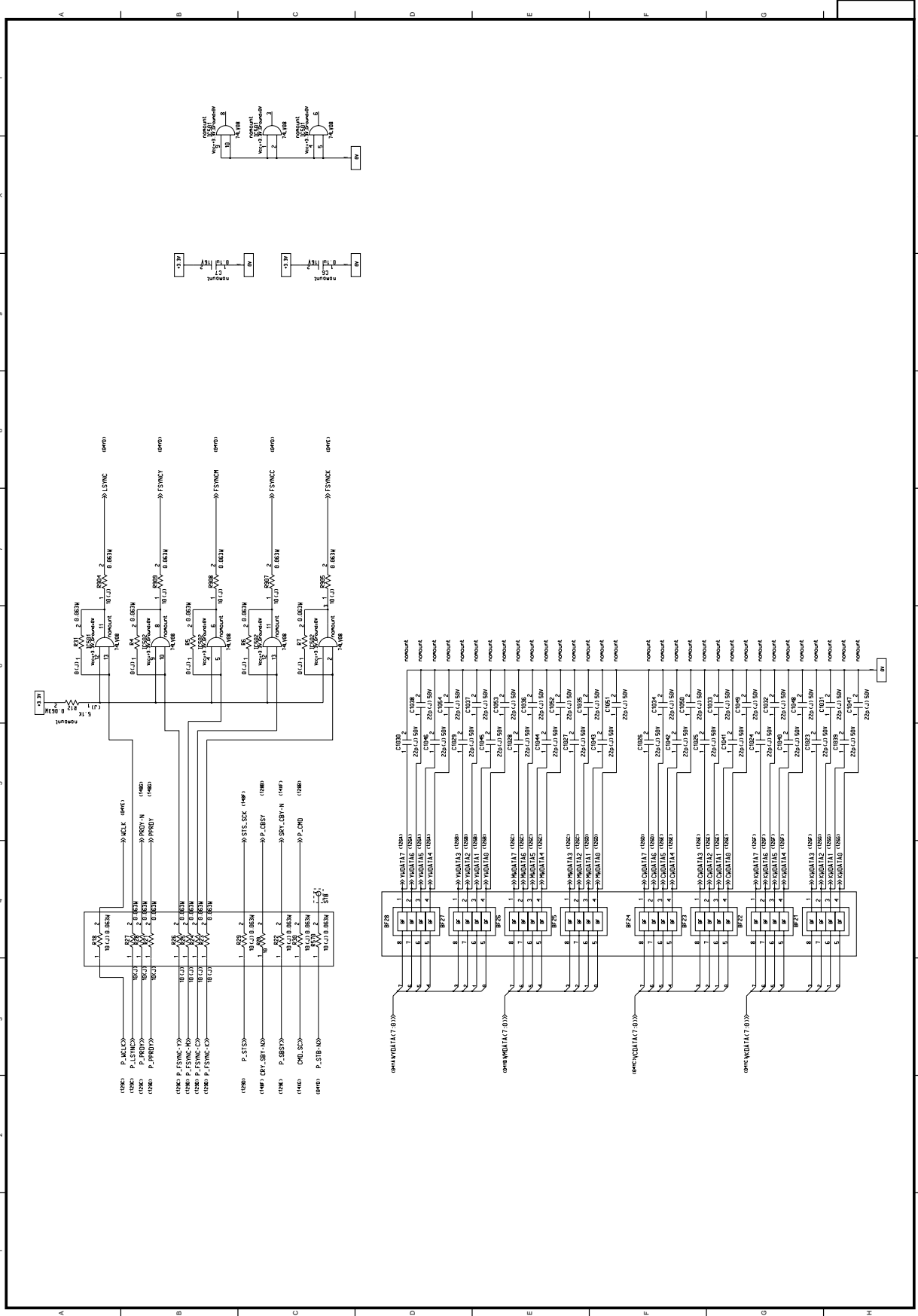


Figure 1-5 Main Controller PWB-VE (HME C9300/C7500/C7300/C7100) (11/23)

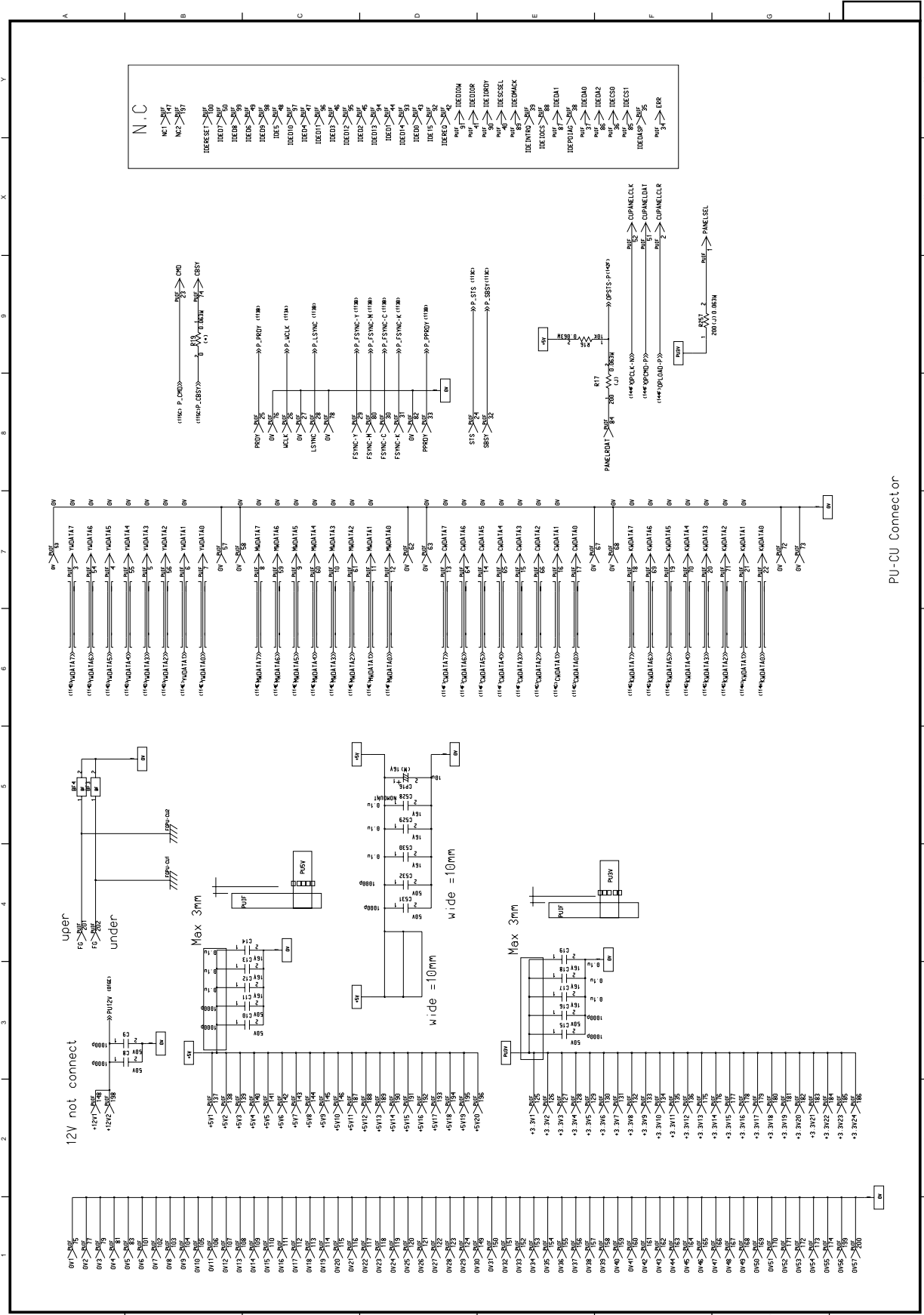


Figure 1-5 Main Controller PWB-VE (HME C9300/C7500/C7300/C7100) (12/23)



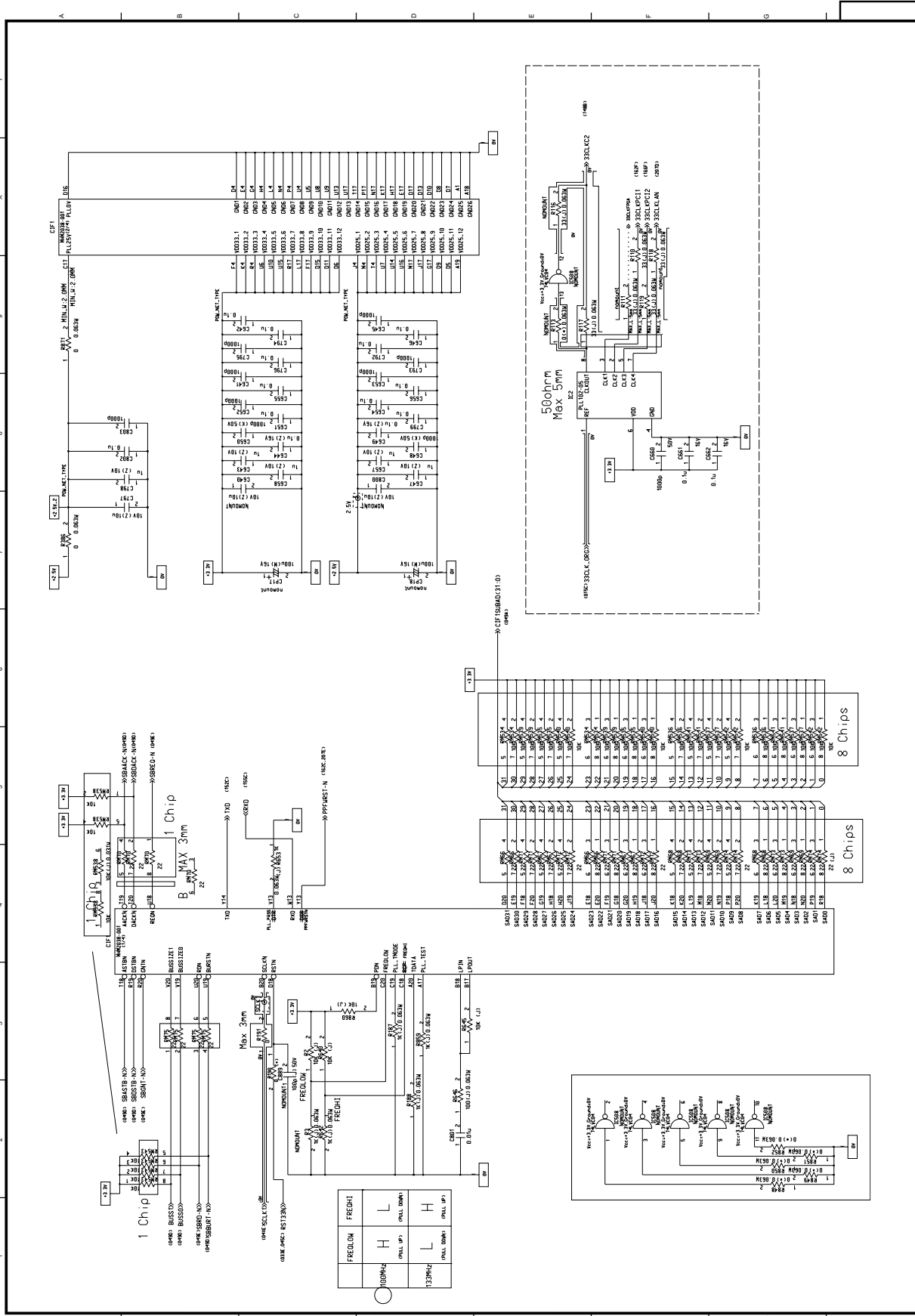


Figure 1-5 Main Controller PWB-VE (HME C9300/C7500/C7300/C7100) (13/23)

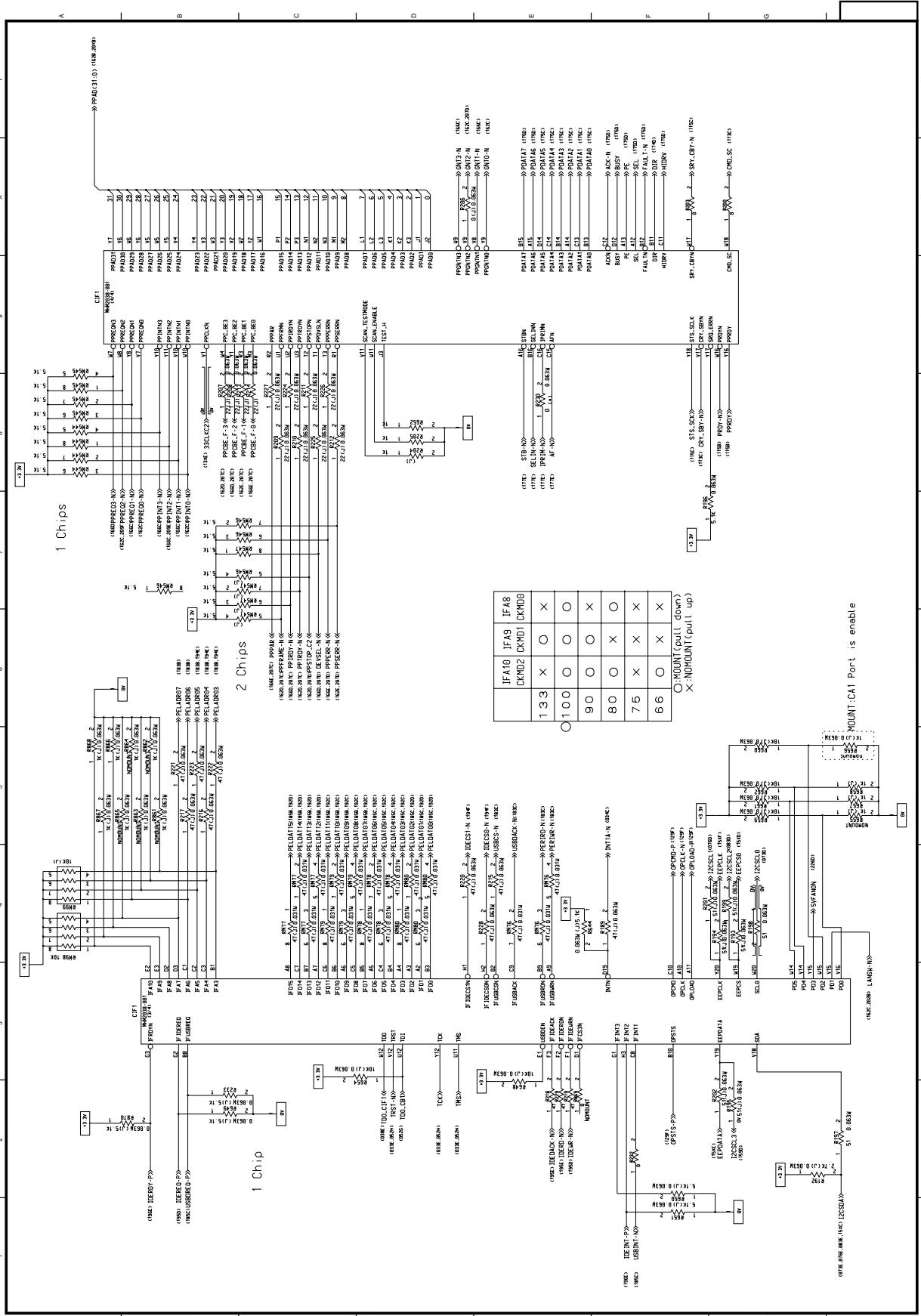


Figure 1-5 Main Controller PWB-VE (HME C9300/C7500/C7300/C7100) (14/23)

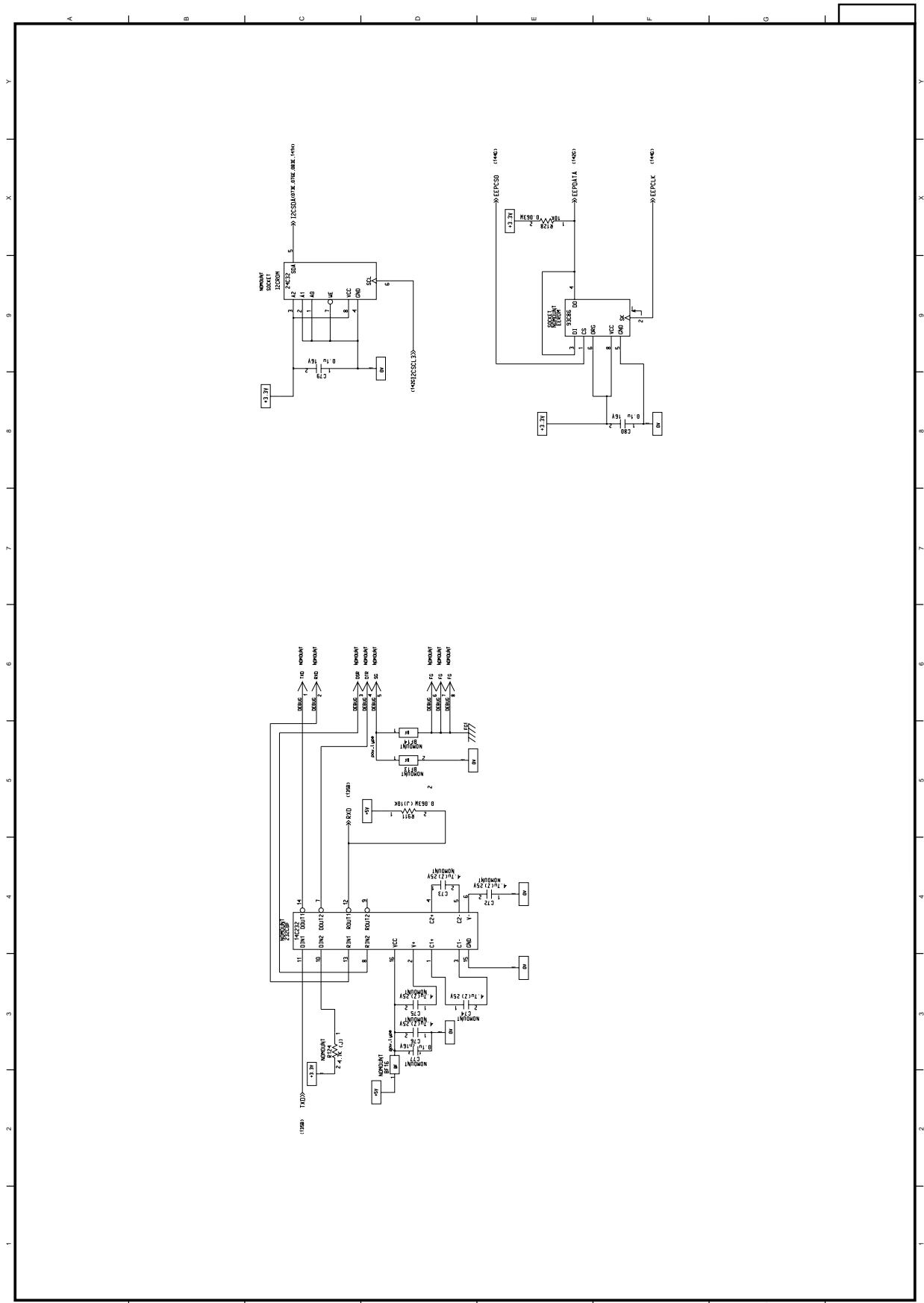


Figure 1-5 Main Controller PWB-VE (HME C9300/C7500/C7300/C7100) (15/23)

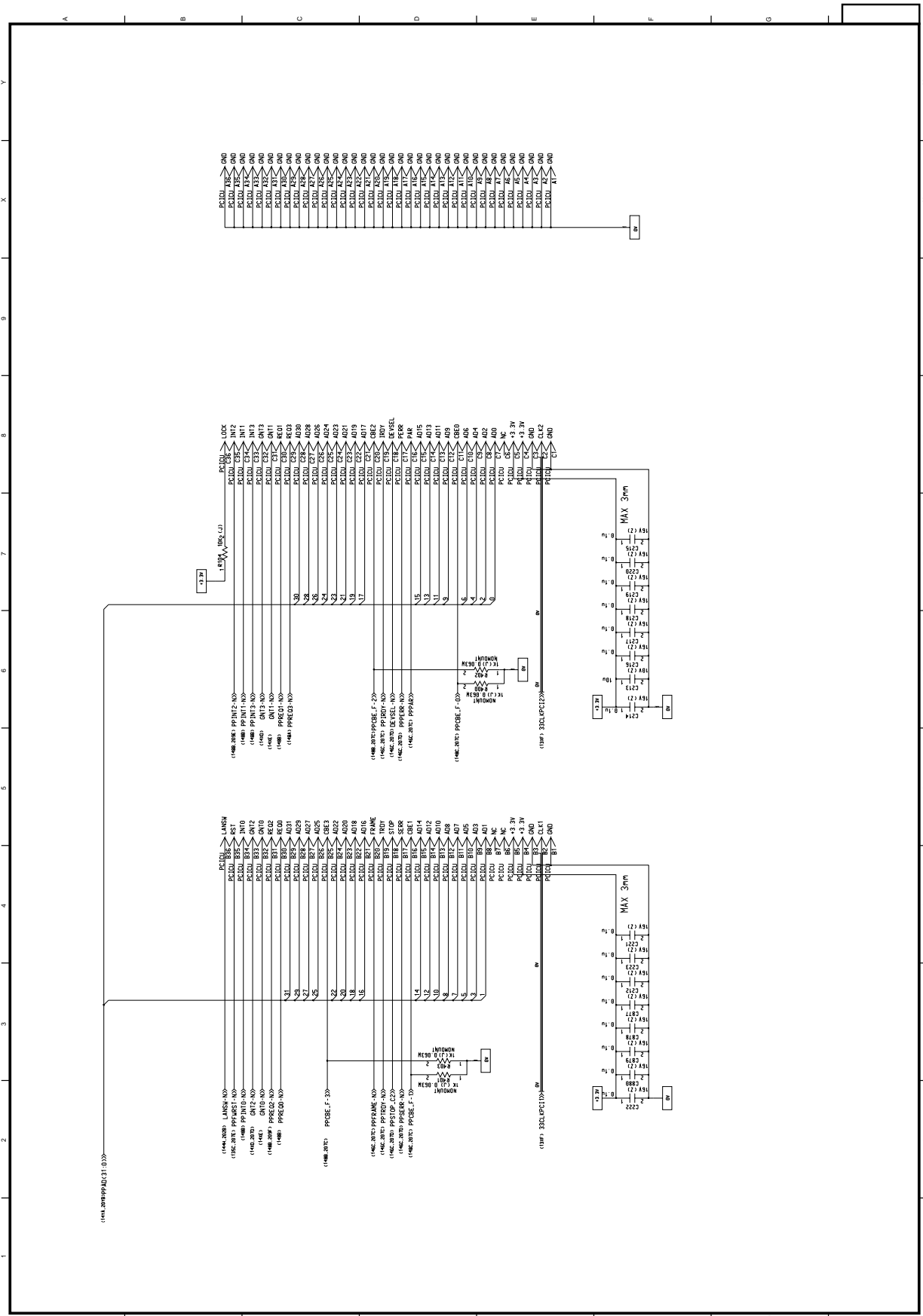


Figure 1-5 Main Controller PWB-VE (HME C9300/C7500/C7300/C7100) (16/23)

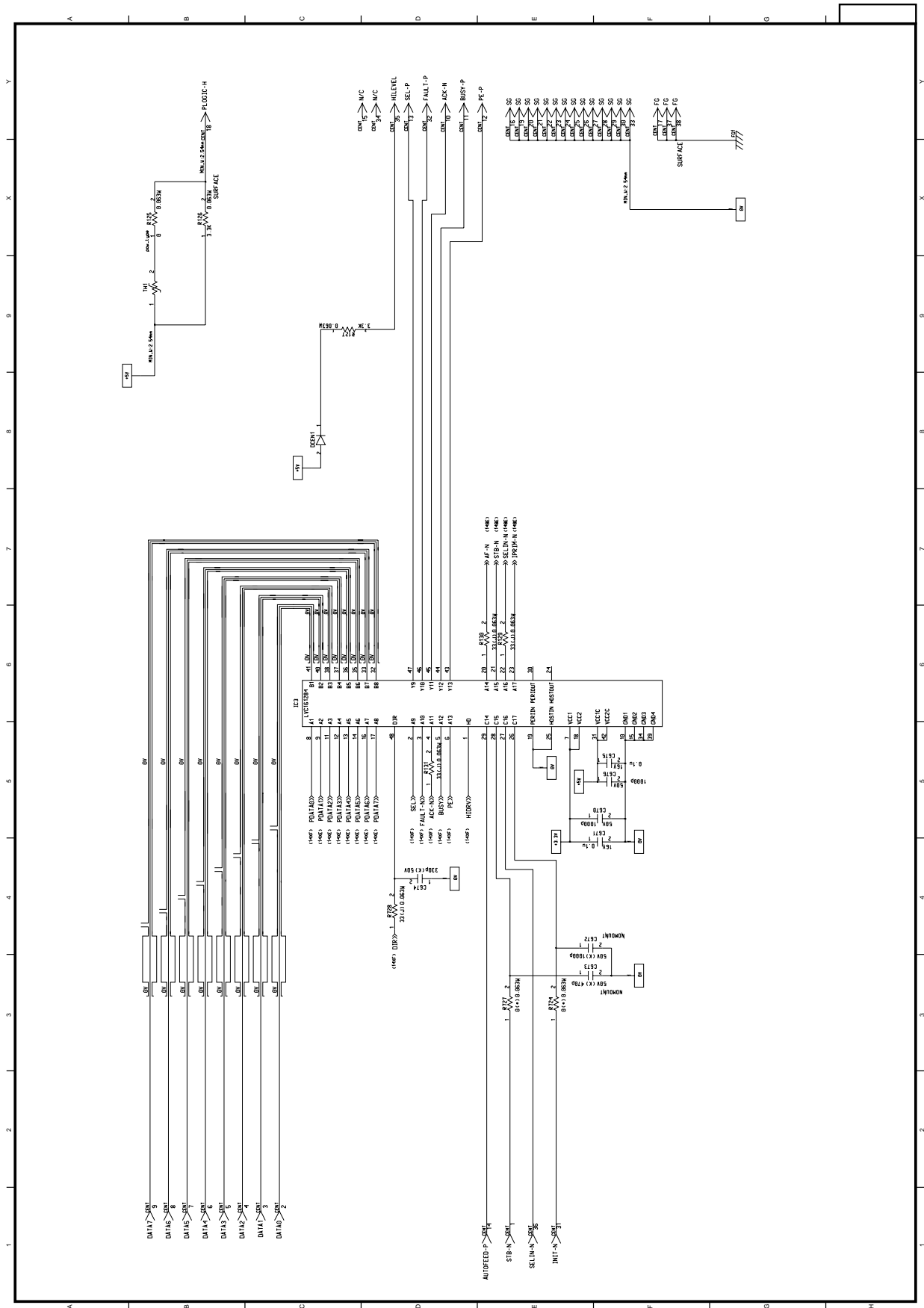


Figure 1-5 Main Controller PWB-VE (HME C9300/C7500/C7300/C7100) (17/23)

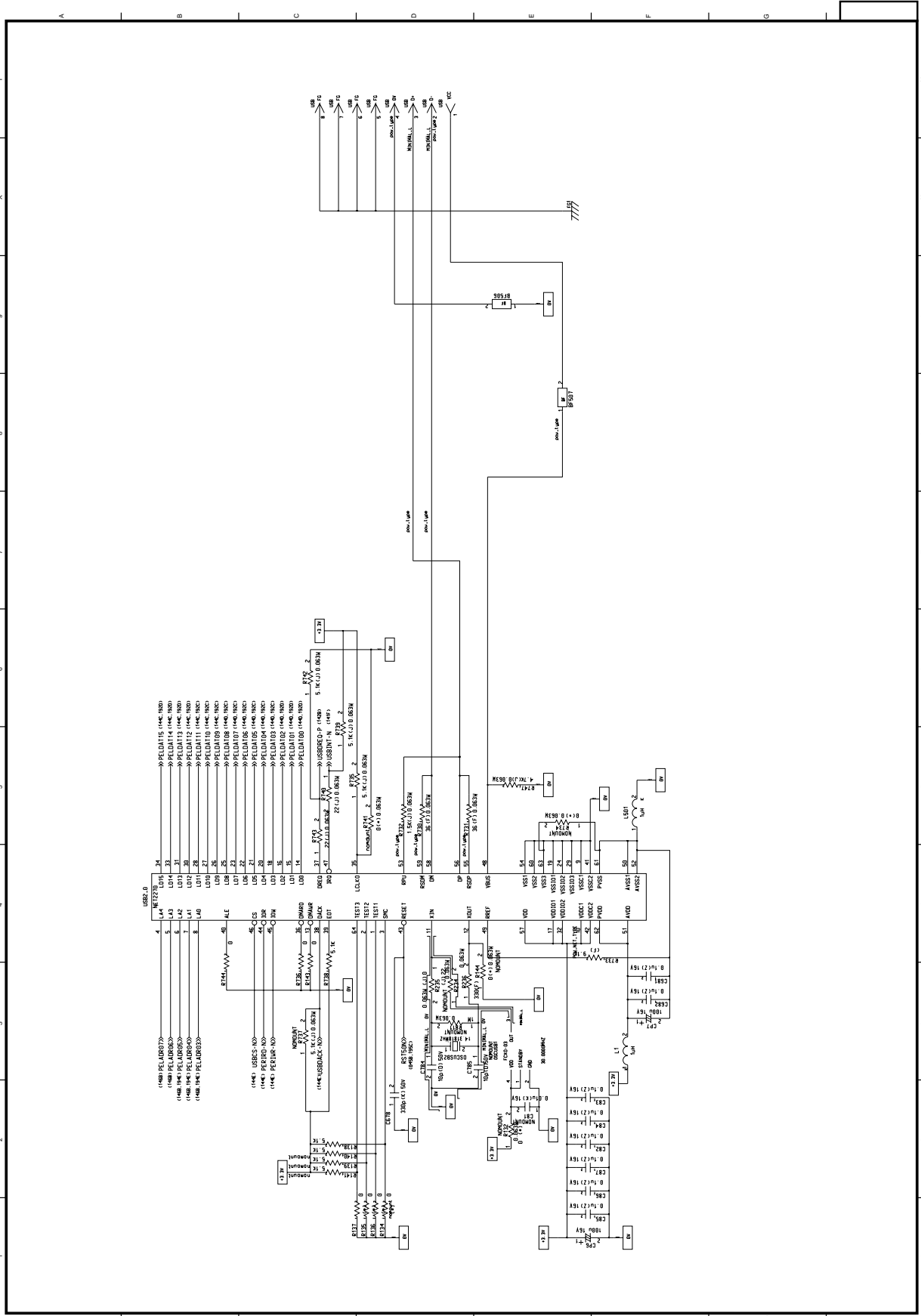


Figure 1-5 Main Controller PWB-VE (HME C9300/C7500/C7300/C7100) (18/23)

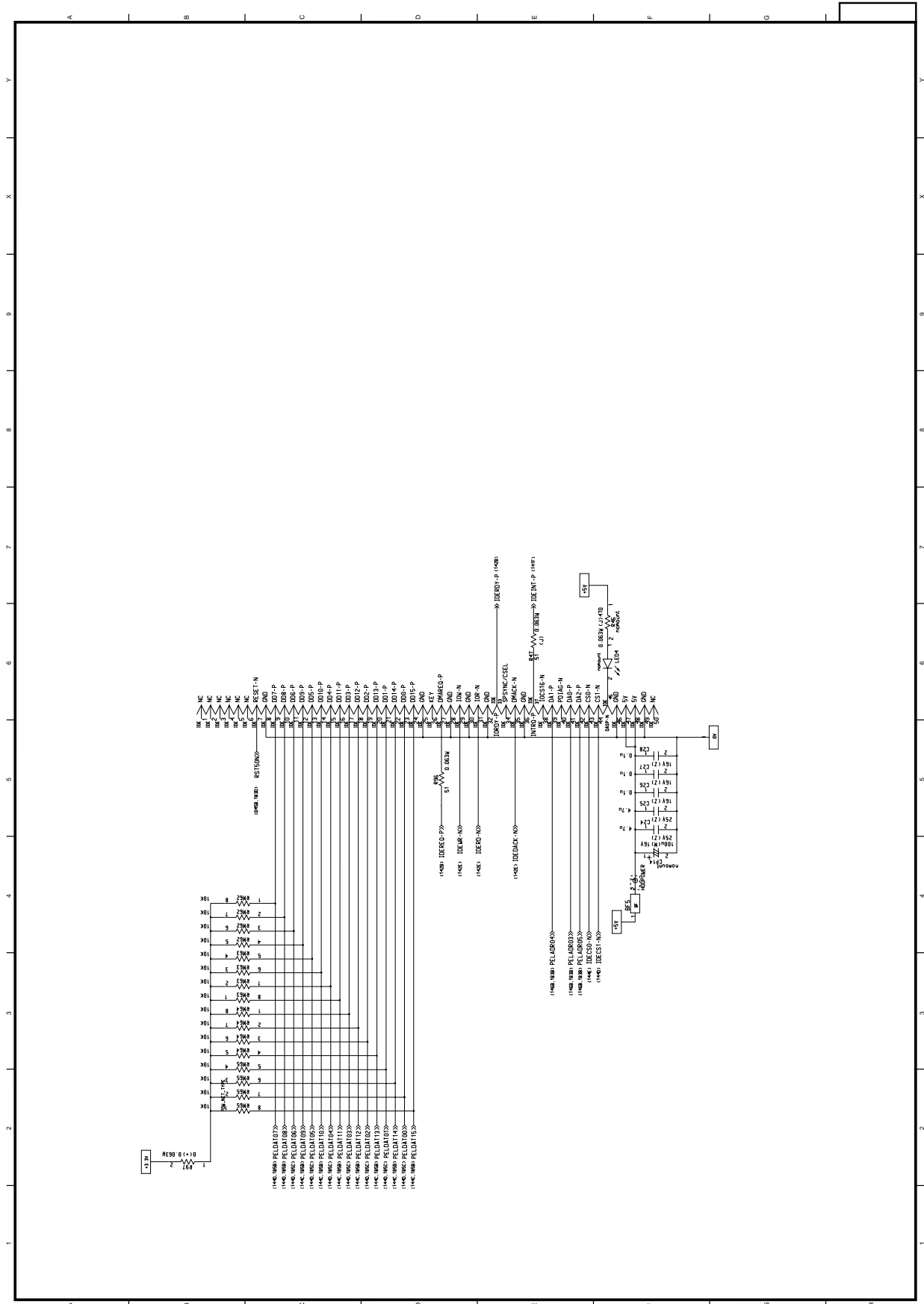


Figure 1-5 Main Controller PWB-VE (HME C9300/C7500/C7300/C7100) (19/23)

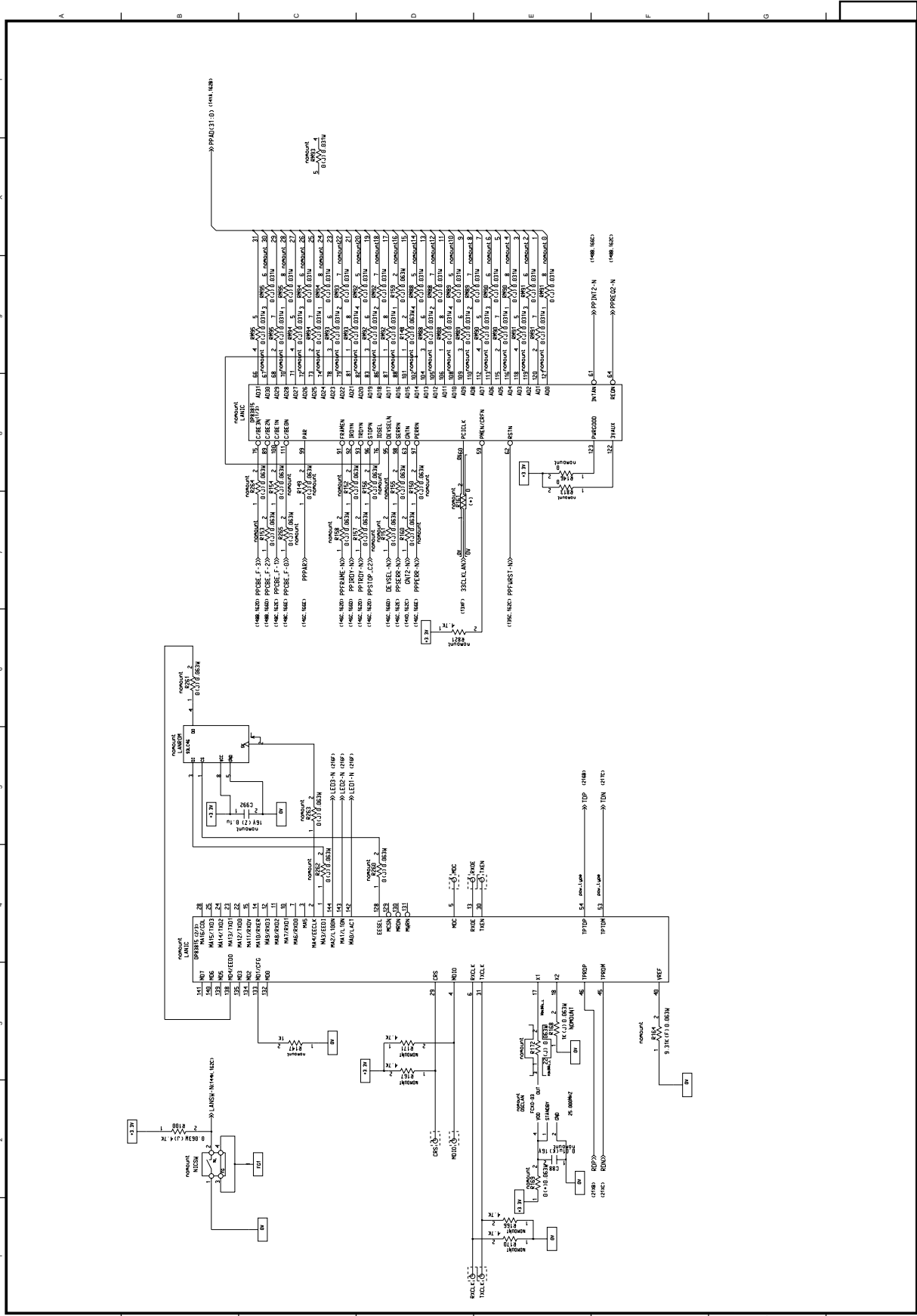


Figure 1-5 Main Controller PWB-VE (HME C9300/C7500/C7300/C7100) (20/23)





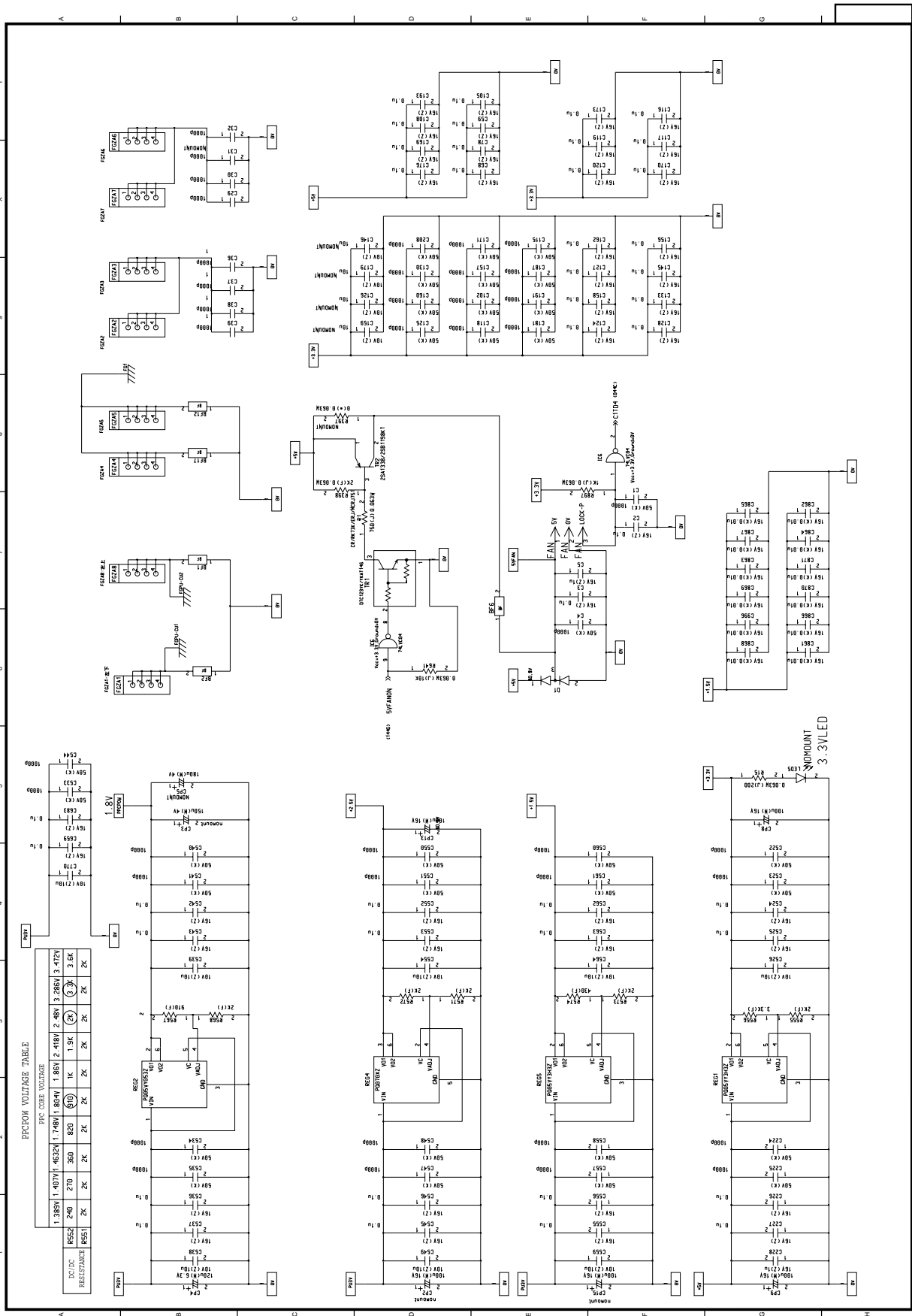


Figure 1-5 Main Controller PWB-VE (HME C9300/C7500/C7300/C7100) (22/23)

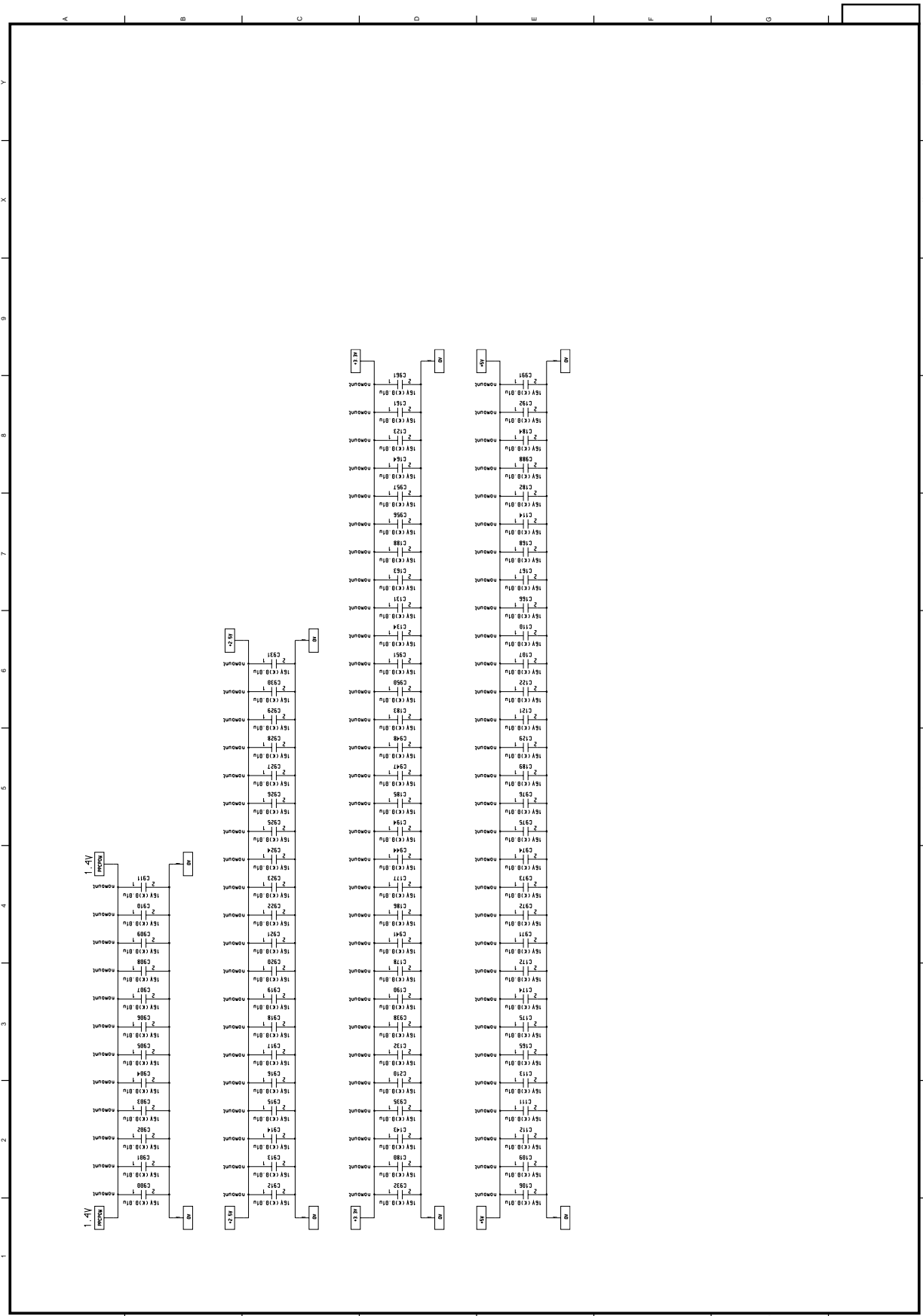


Figure 1-5 Main Controller PWB-VE (HME C9300/C7500/C7300/C7100) (23/23)

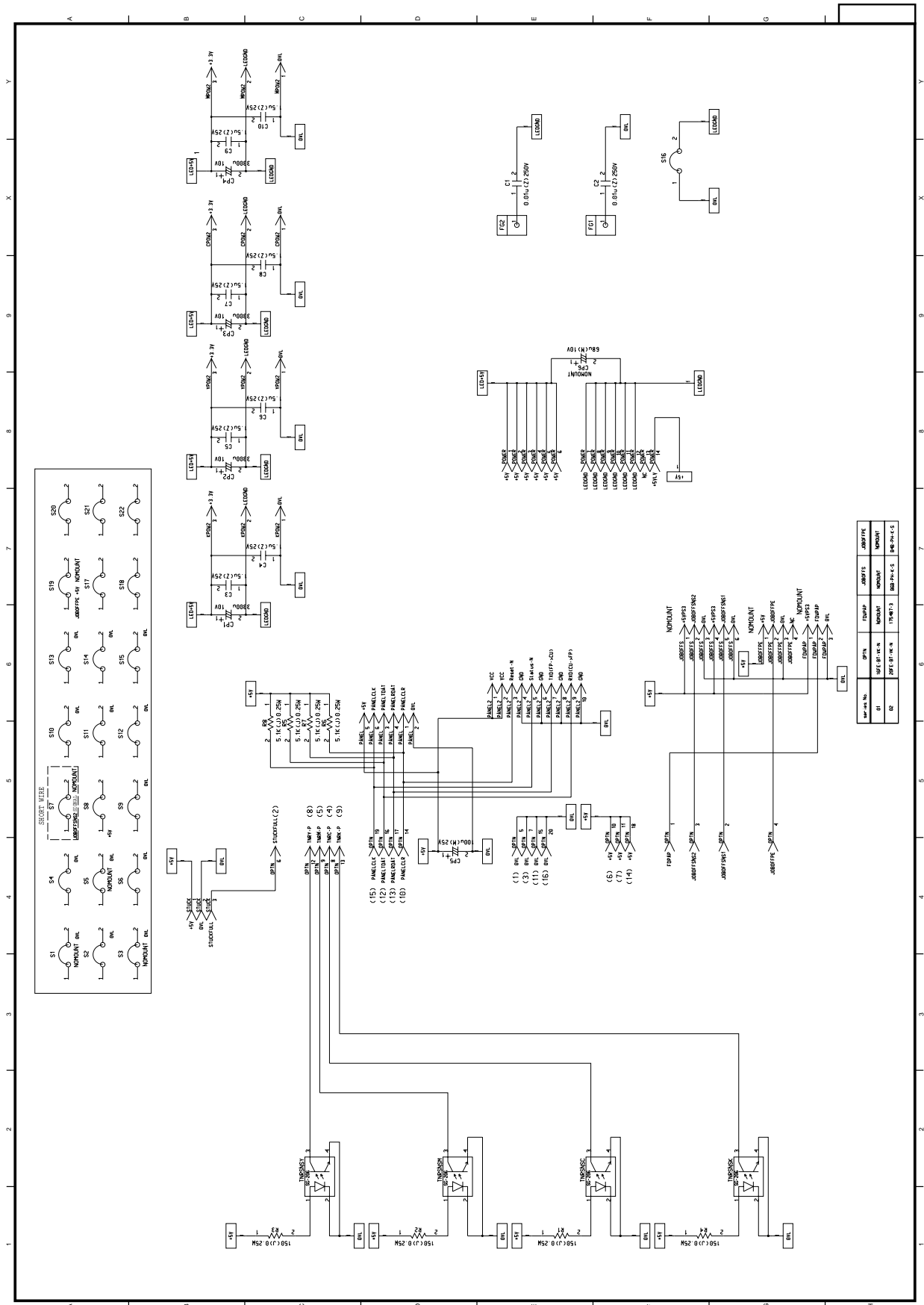


Figure 1-6 LED Control PWB (Y73 C9300/C7300/C7100) (1/1)

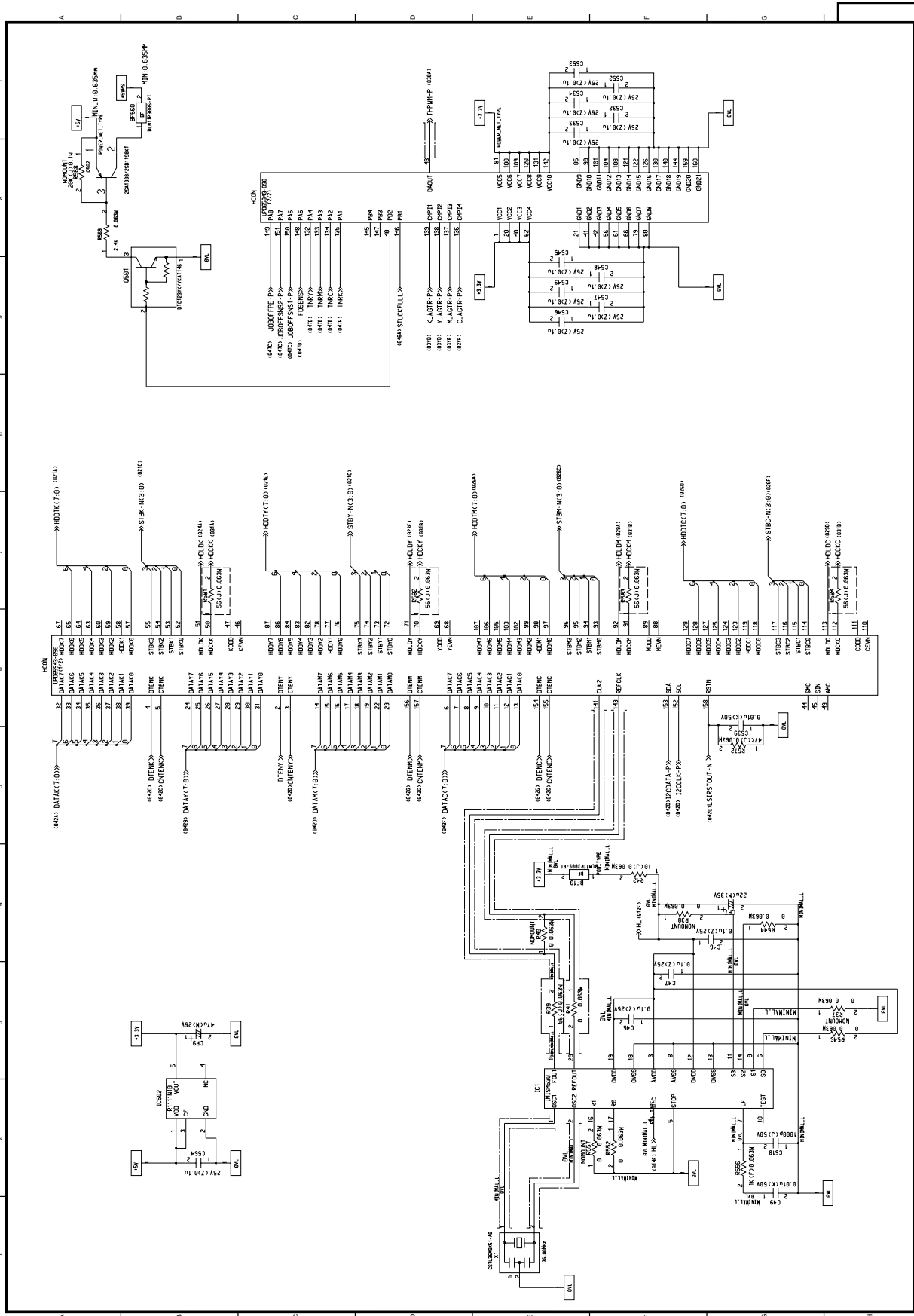


Figure 1-7 LED Control PWB (Y7X C9500/C7500) (1/4)

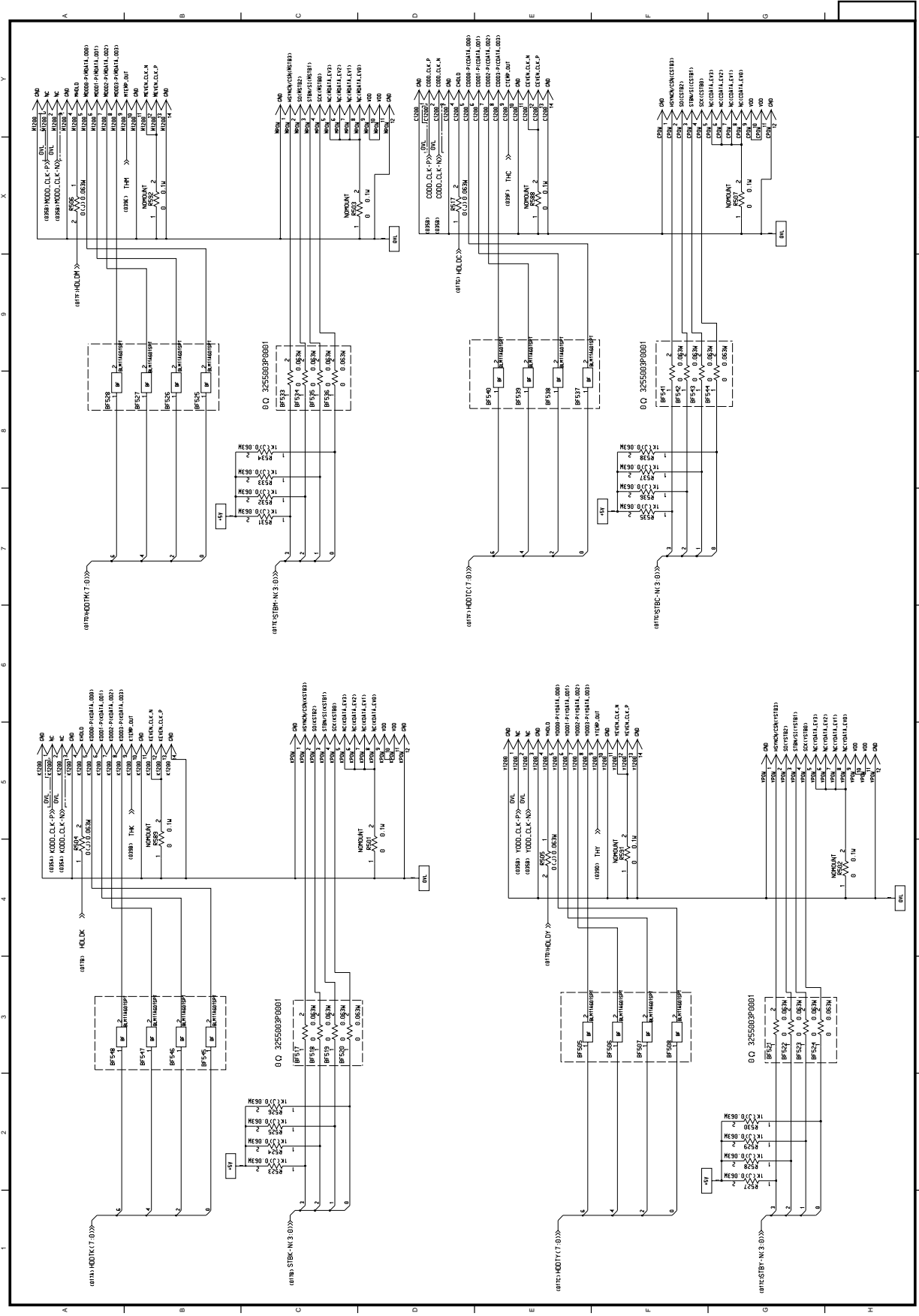


Figure 1-7 LED Control PWB (Y7X C9500/C7500) (2/4)

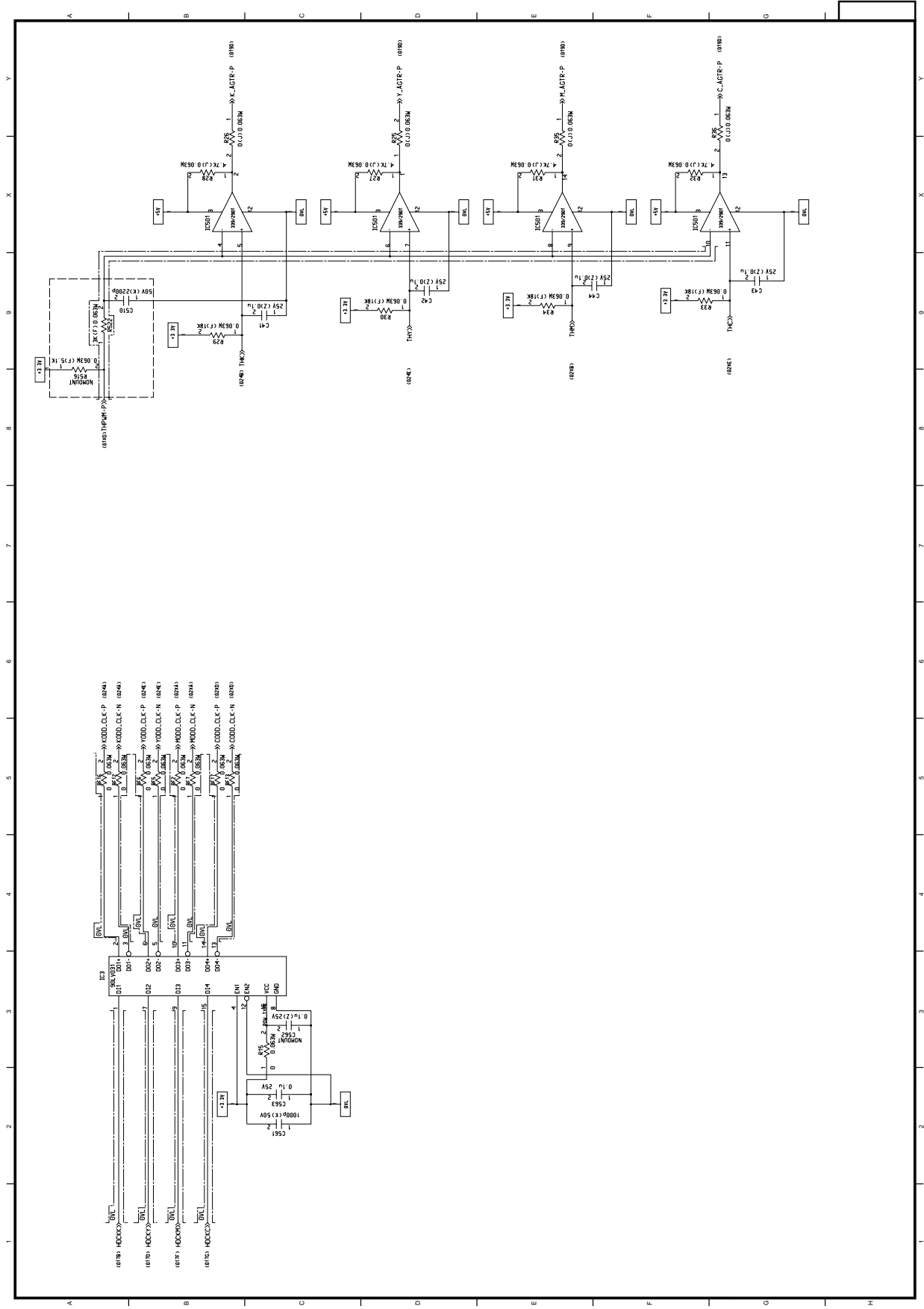


Figure 1-7 LED Control PWB (Y7X C9500/C7500) (3/4)

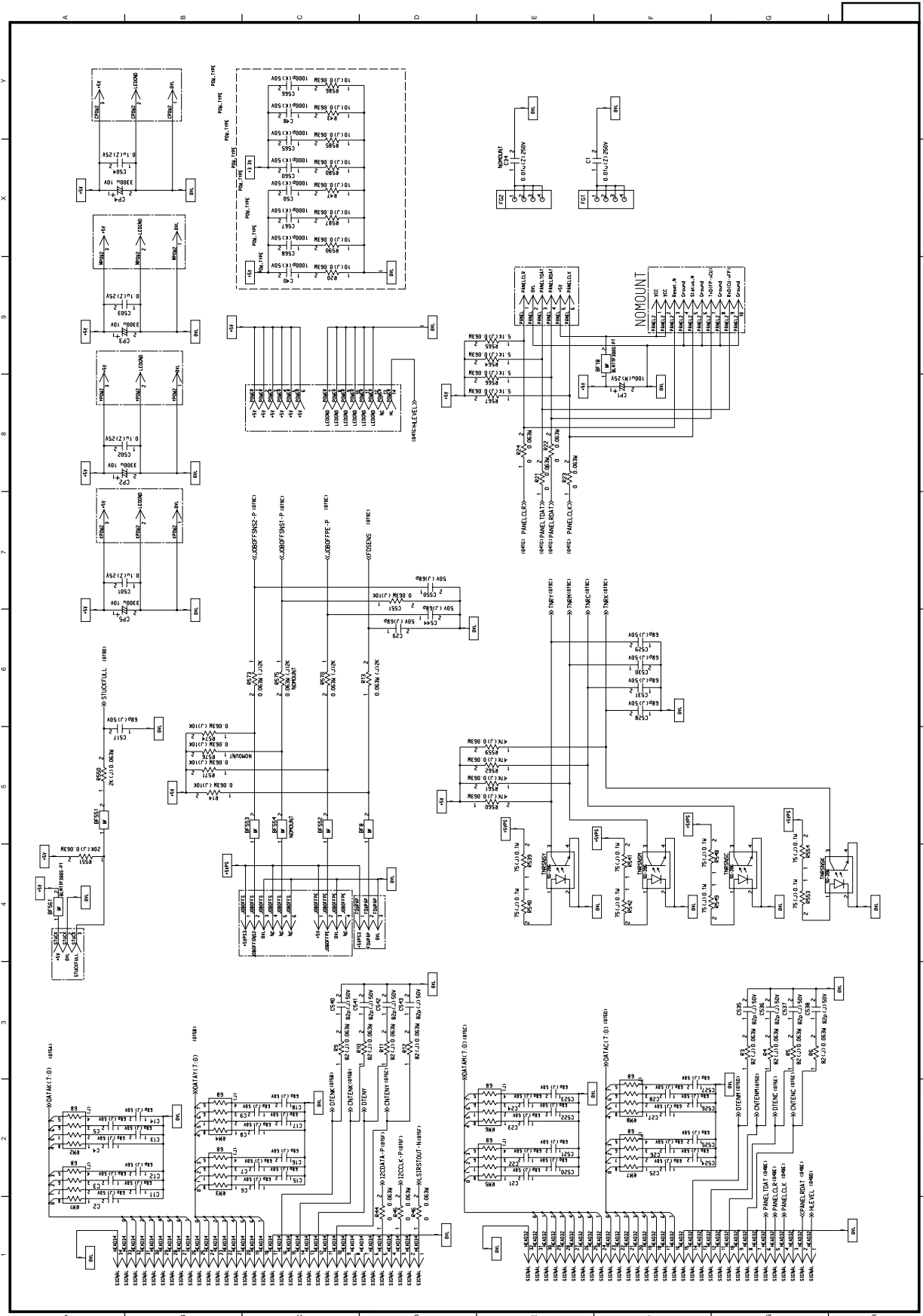


Figure 1-7 LED Control PWB (Y7X C9500/C7500) (4/4)



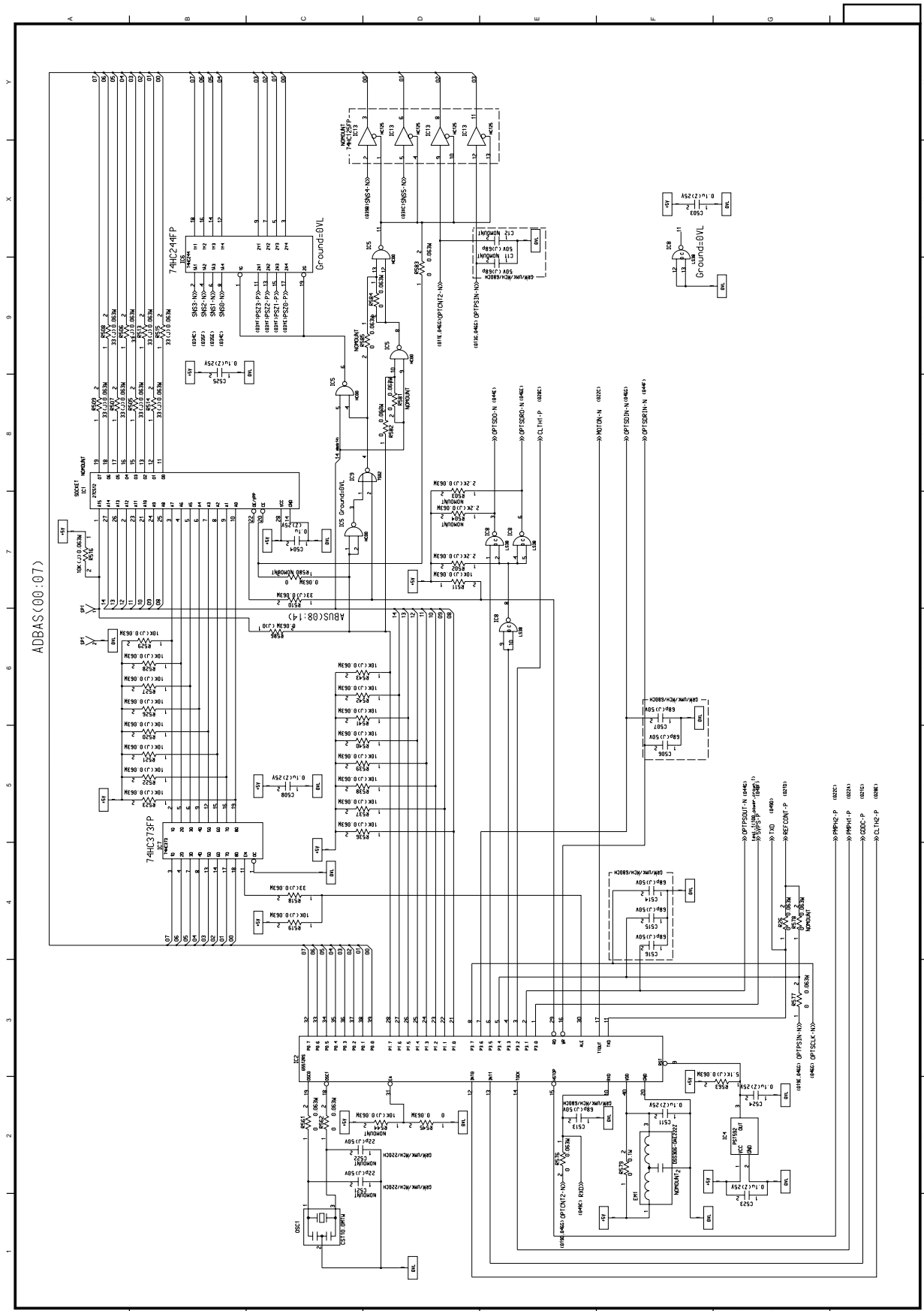


Figure 1-8 Duplex Control PWB (V73 C950/C9300) (1/4)

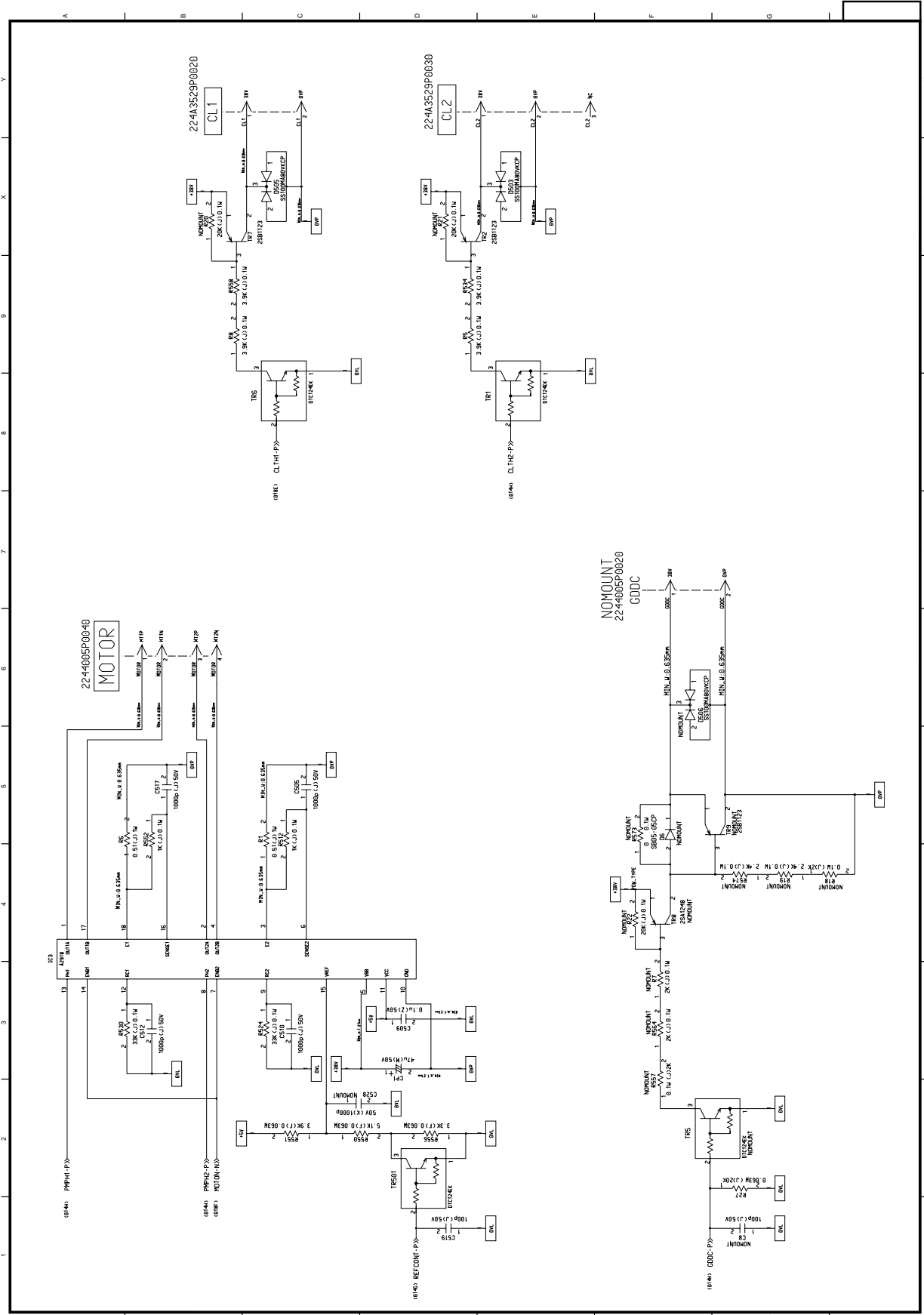


Figure 1-8 Duplex Control PWB (V73 C9500/C9300) (2/4)

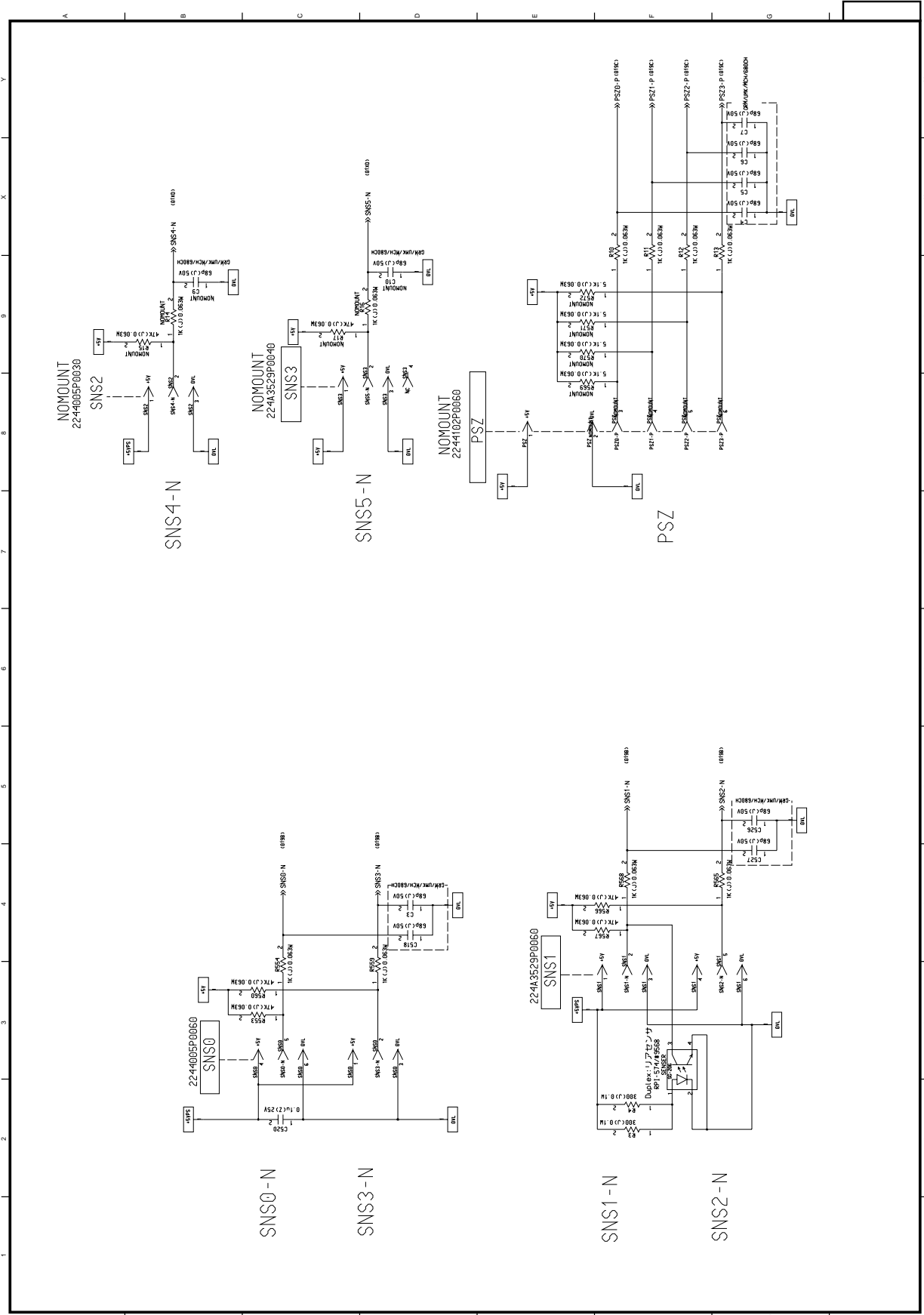


Figure 1-8 Duplex Control PWB (V73 C9500/C9300) (3/4)

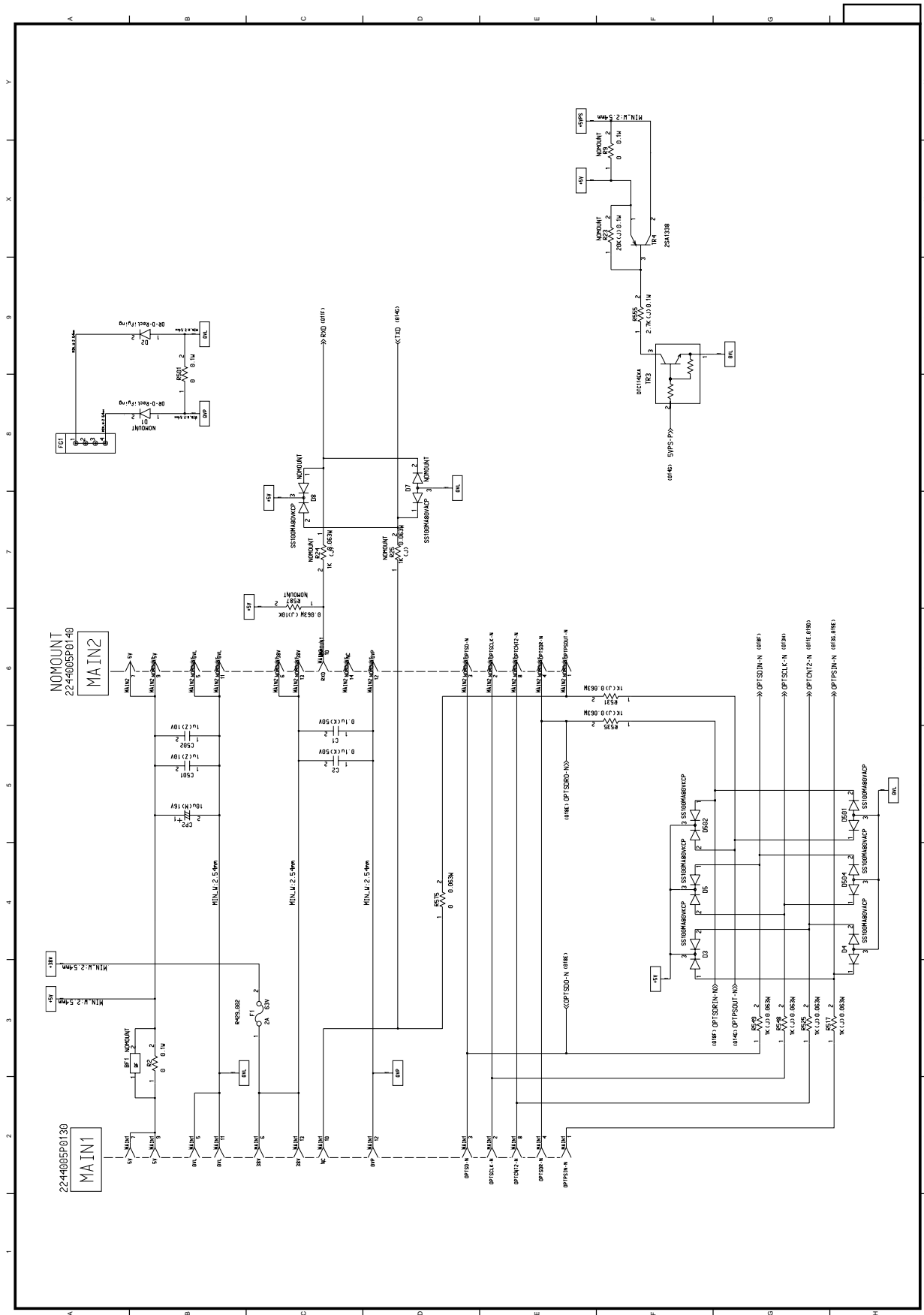


Figure 1-8 Duplex Control PWB (V73 C9500/C9300) (4/4)

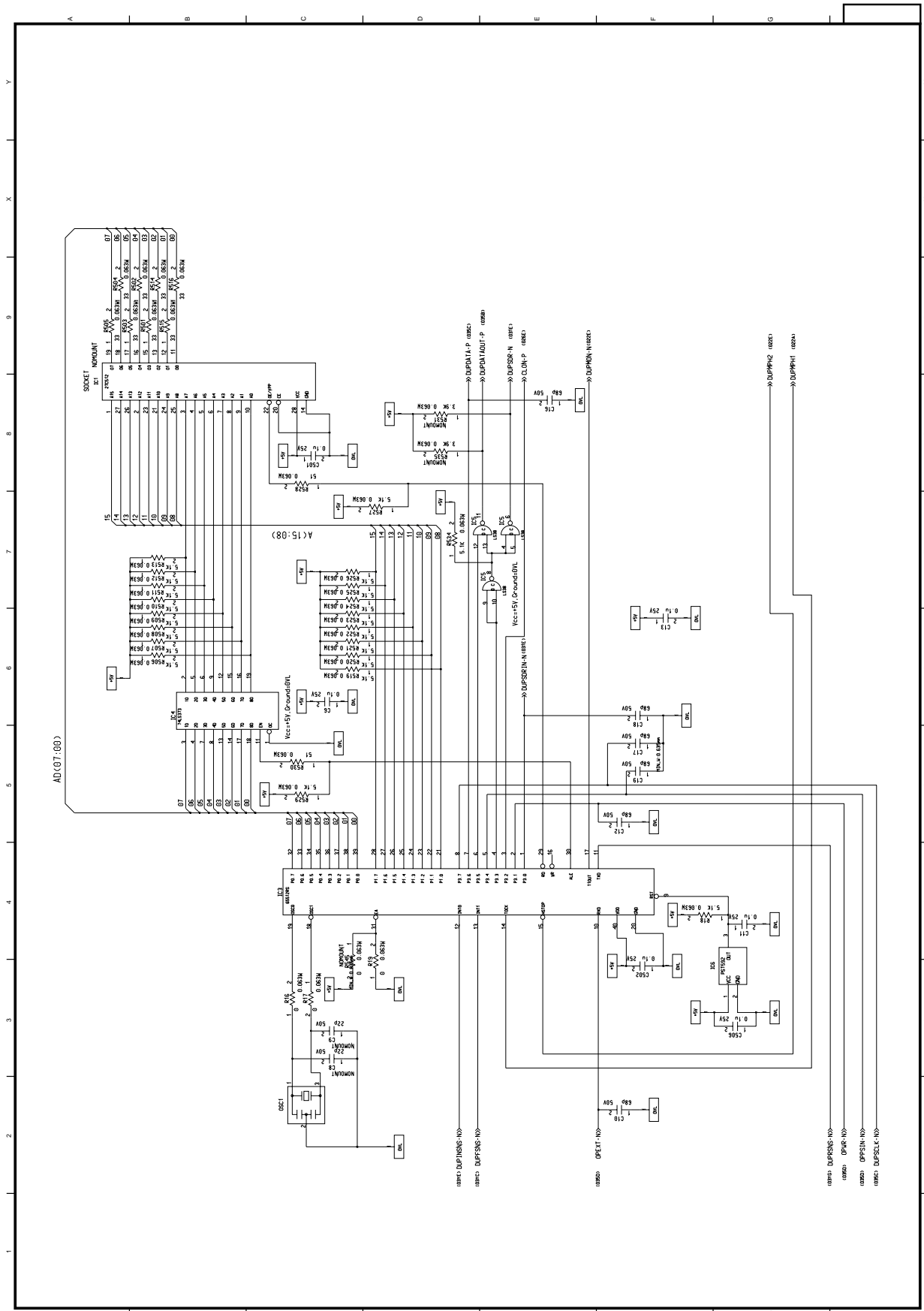


Figure 1-9 Duplex Control PWB (V71 C7500/C7300/C7100) (1/3)

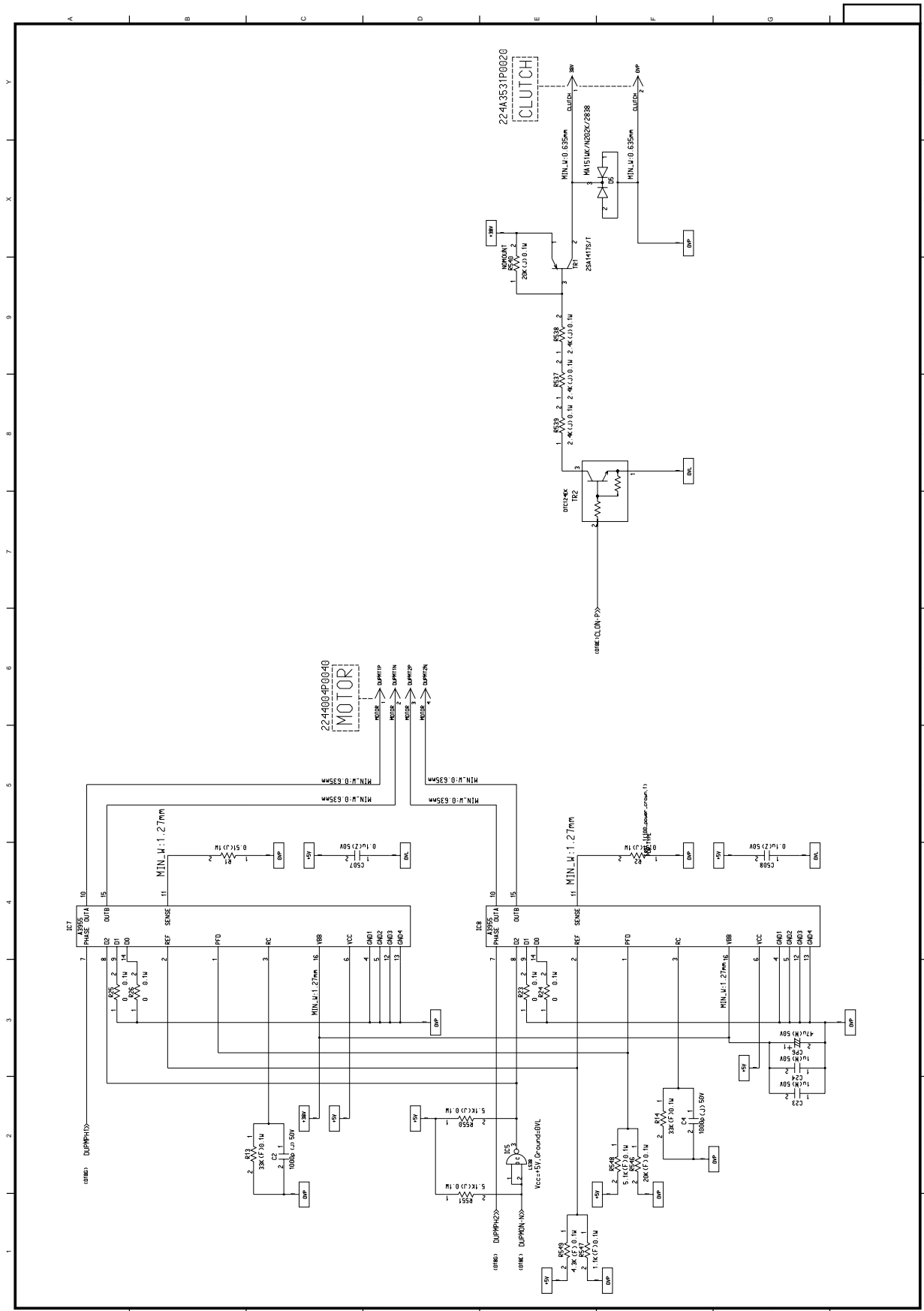


Figure 1-9 Duplex Control PWB (V71 C7500/C7300/C7100) (2/3)

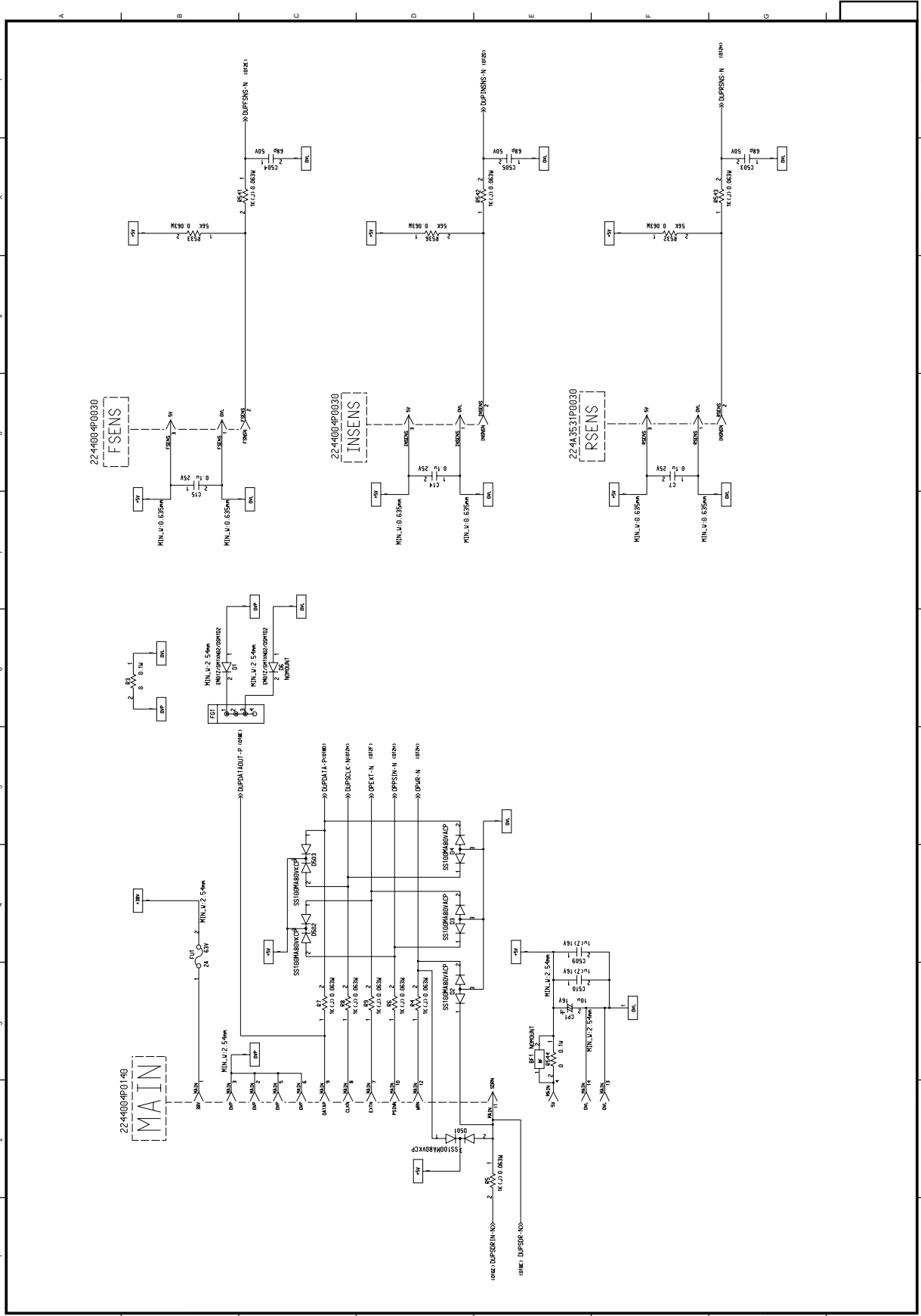


Figure 1-9 Duplex Control PWB (V71 C7500/C7300/C7100) (3/3)





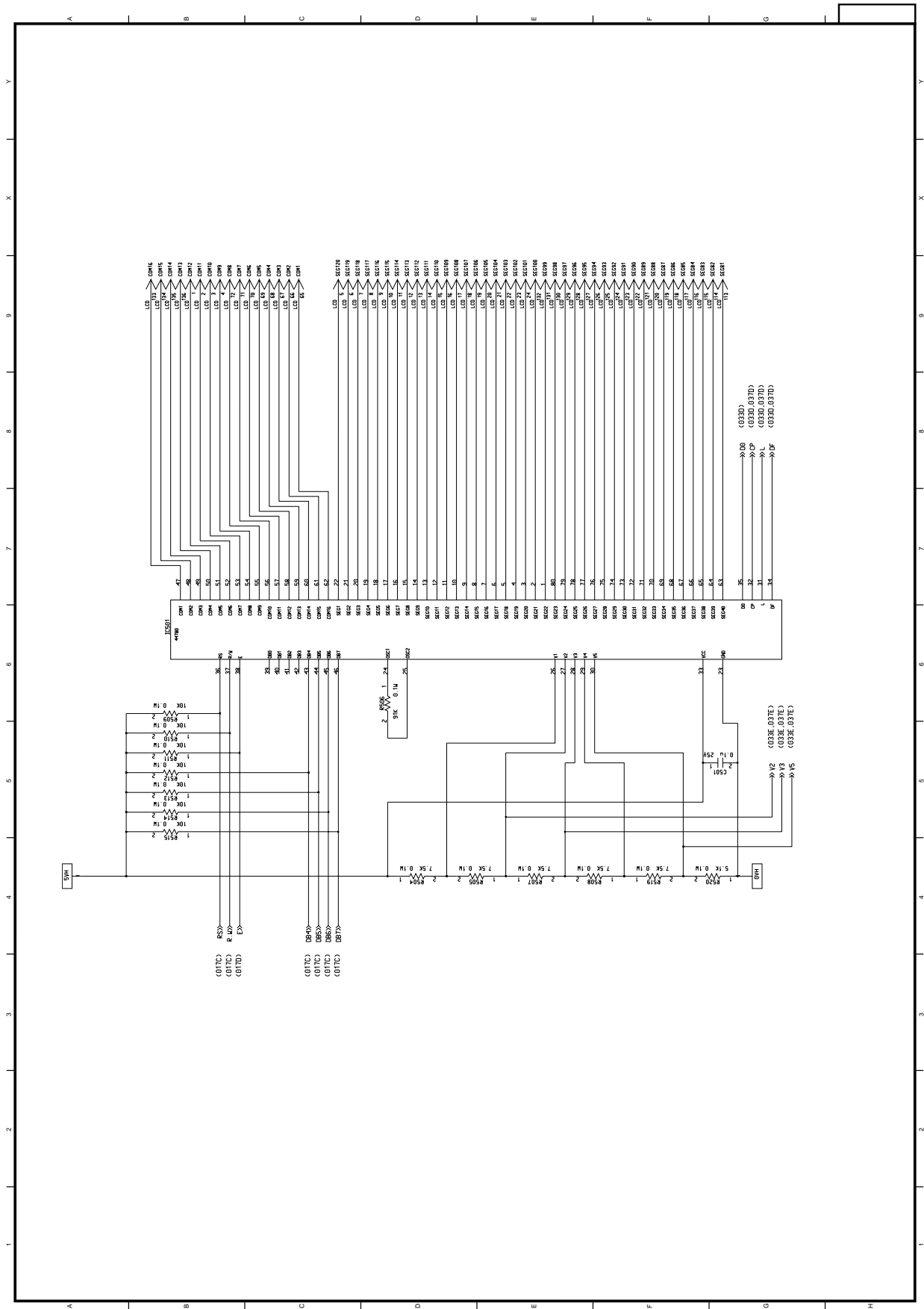


Figure 1-10 Control Panel PWB (X7N) (2/3)



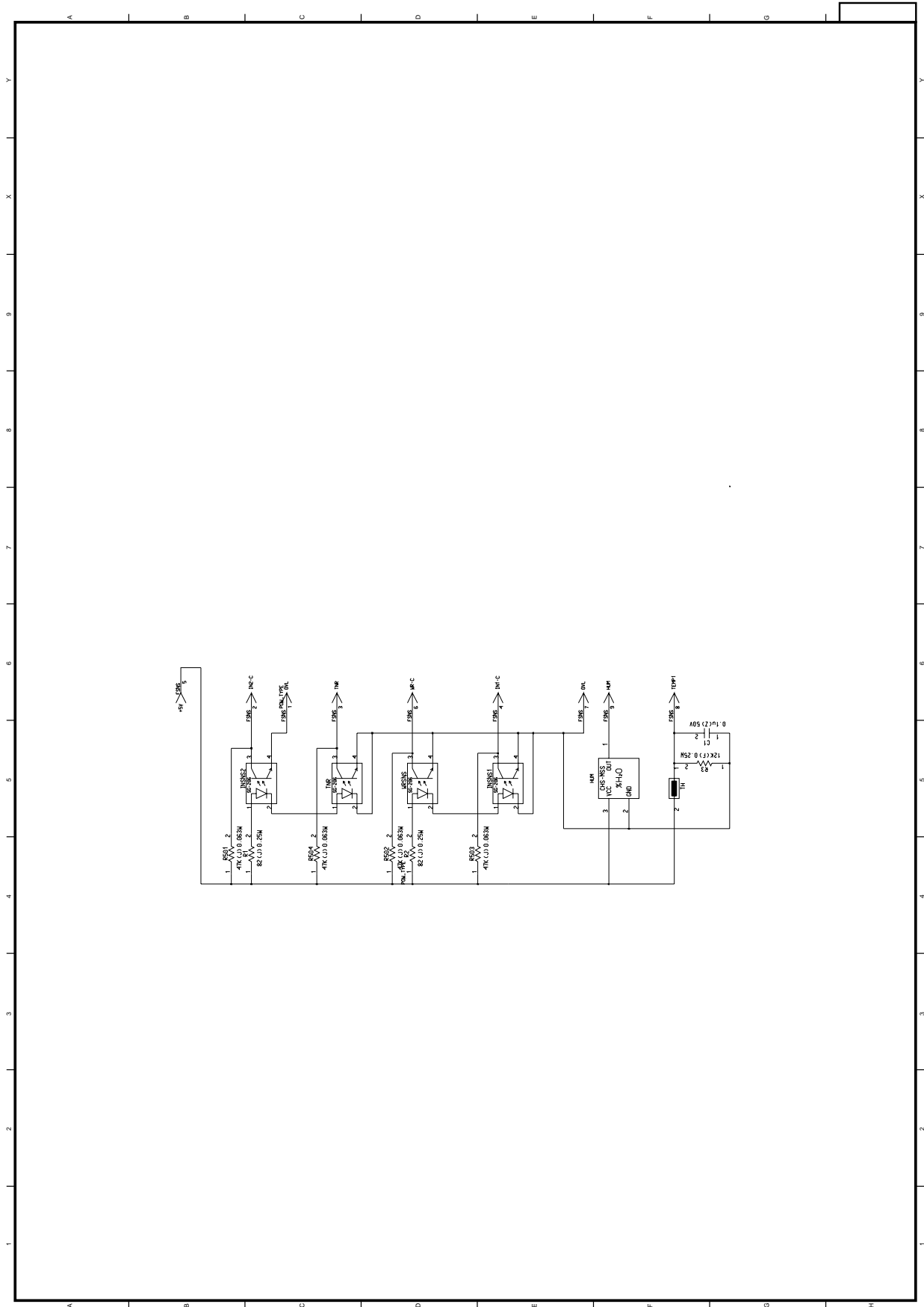


Figure 1-11 Entrance Sensor PWB (R71) (1/1)

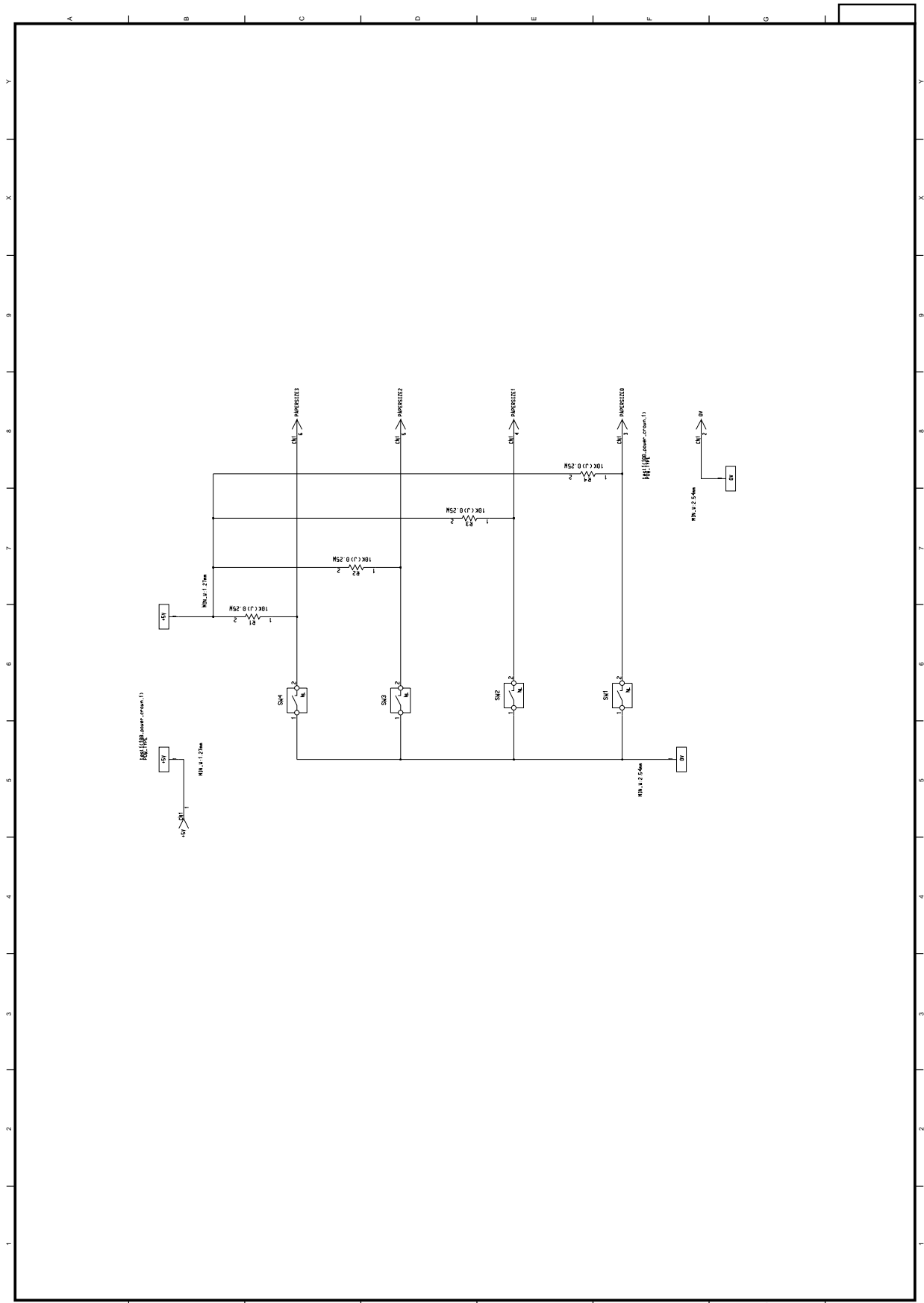


Figure 1-12 Paper Size Sensing PWB (B73 C9500/C9300) (1/1)

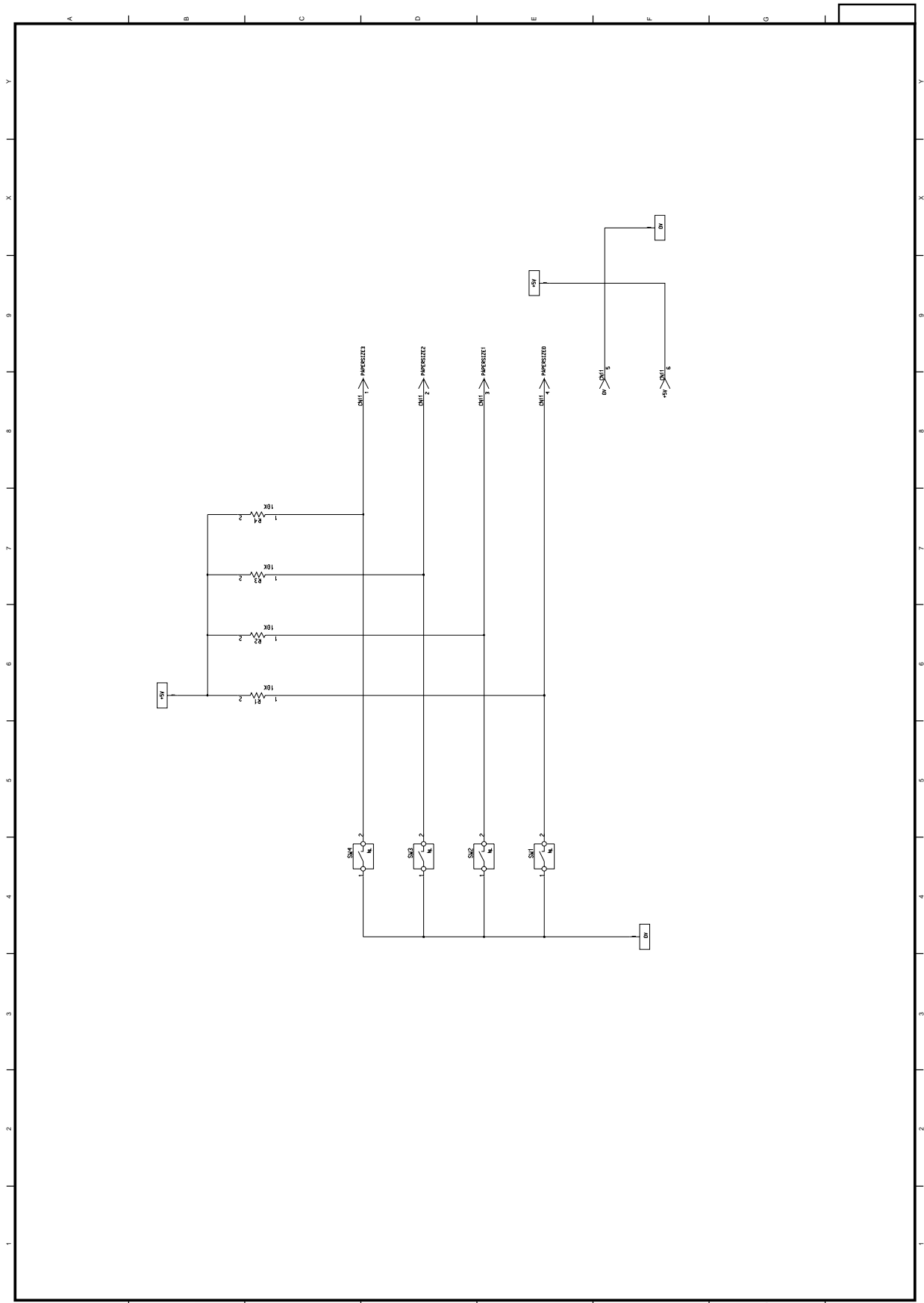


Figure 1-13 Paper Size Sensing PWB (PXC C7500/C7300/C7100) (1/1)

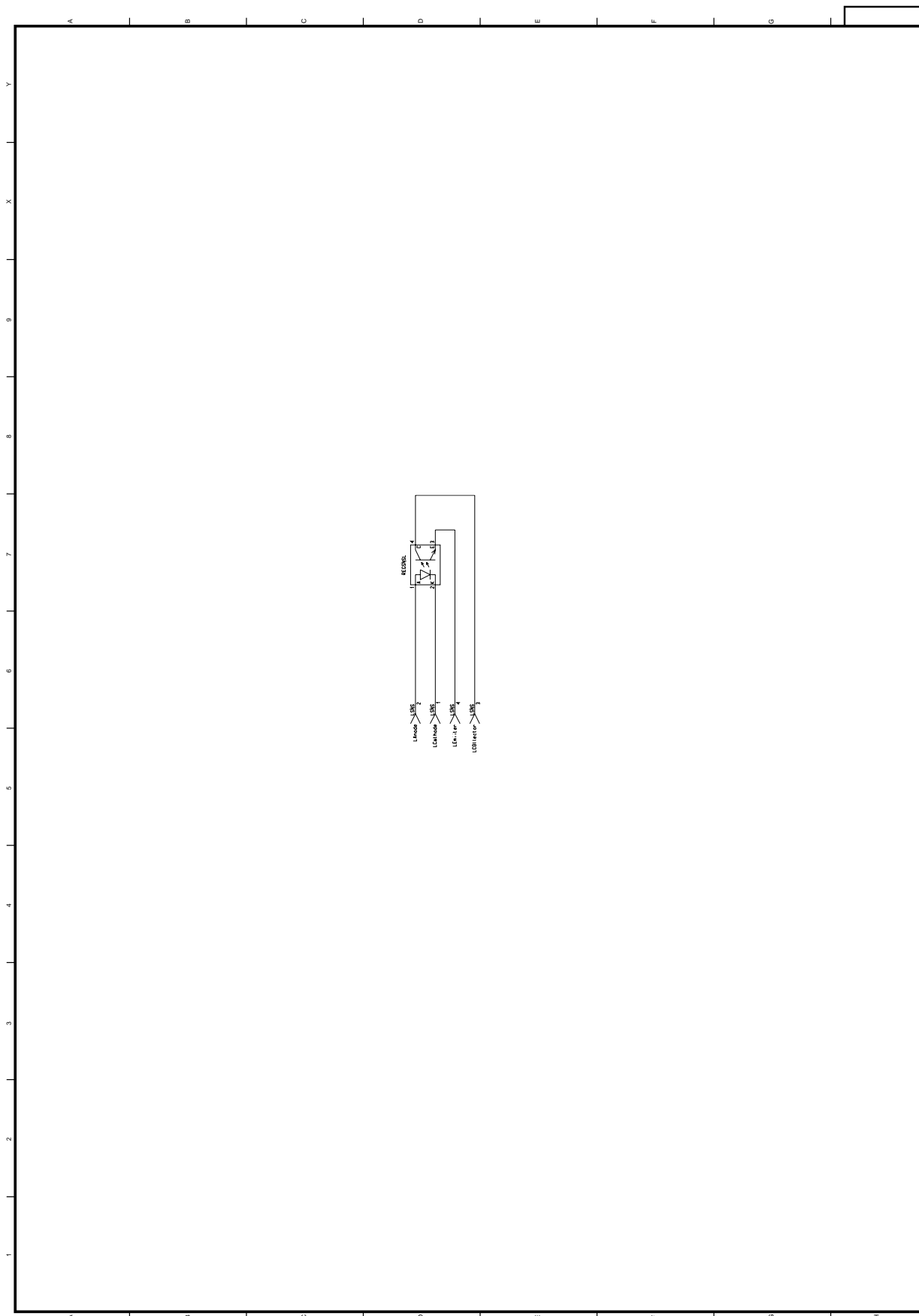


Figure 1-14 Color Registration Sensor PWB (Z71) (1/2)

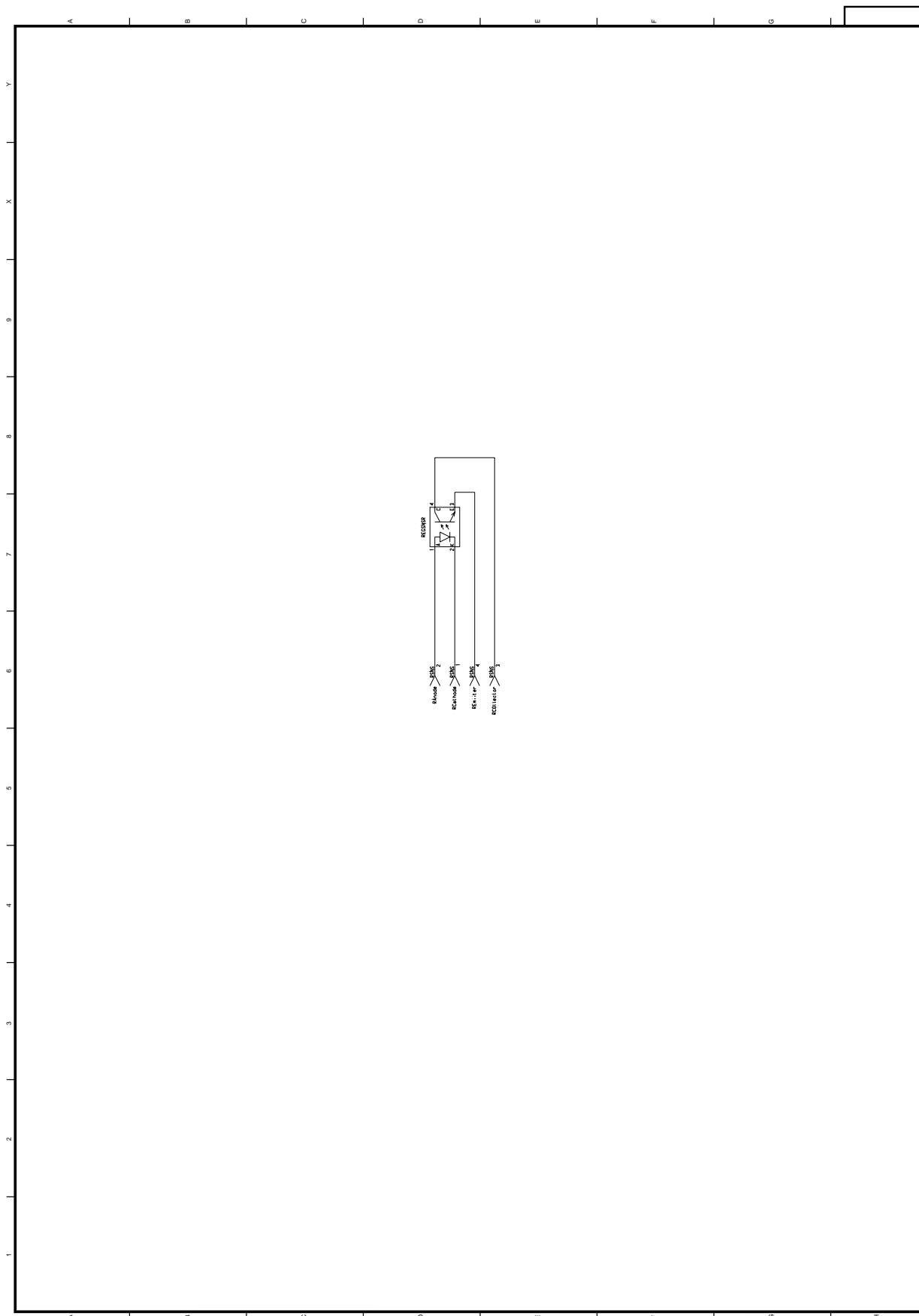


Figure 1-14 Color Registration Sensor PWB (Z71) (2/2)





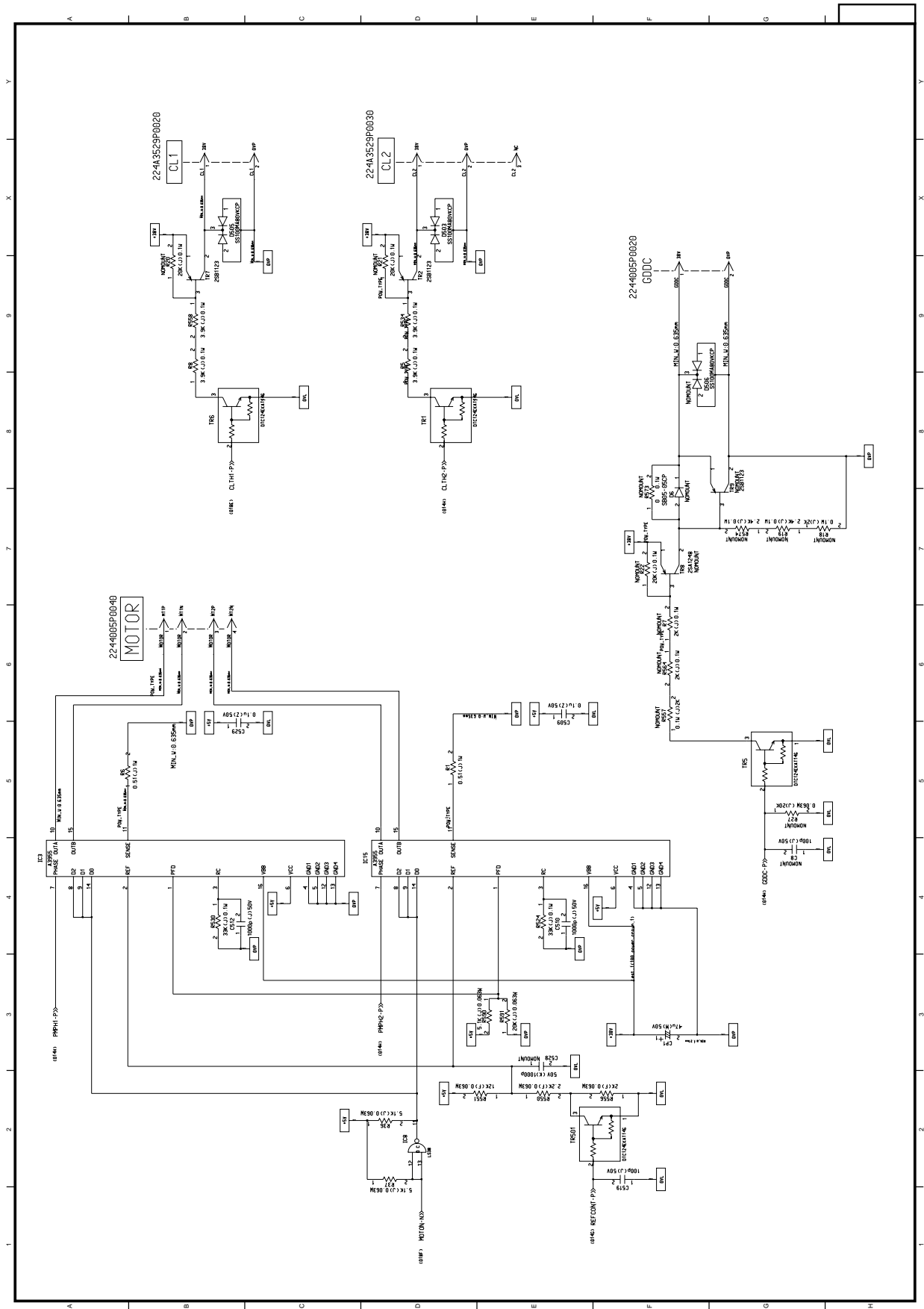


Figure 1-15 Option Tray PWB (V7X) (2/4)

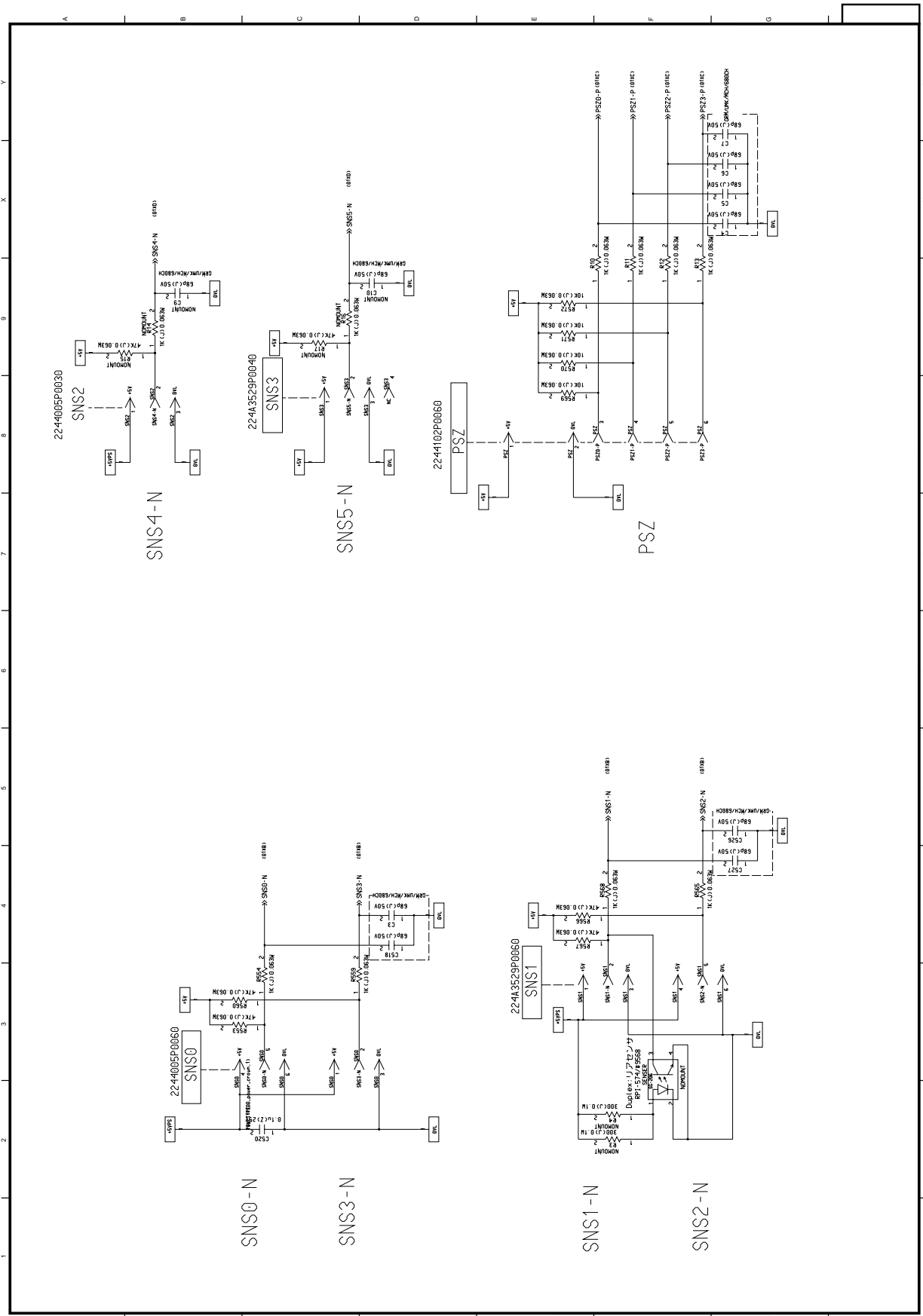


Figure 1-15 Option Tray PWB (V7X) (3/4)

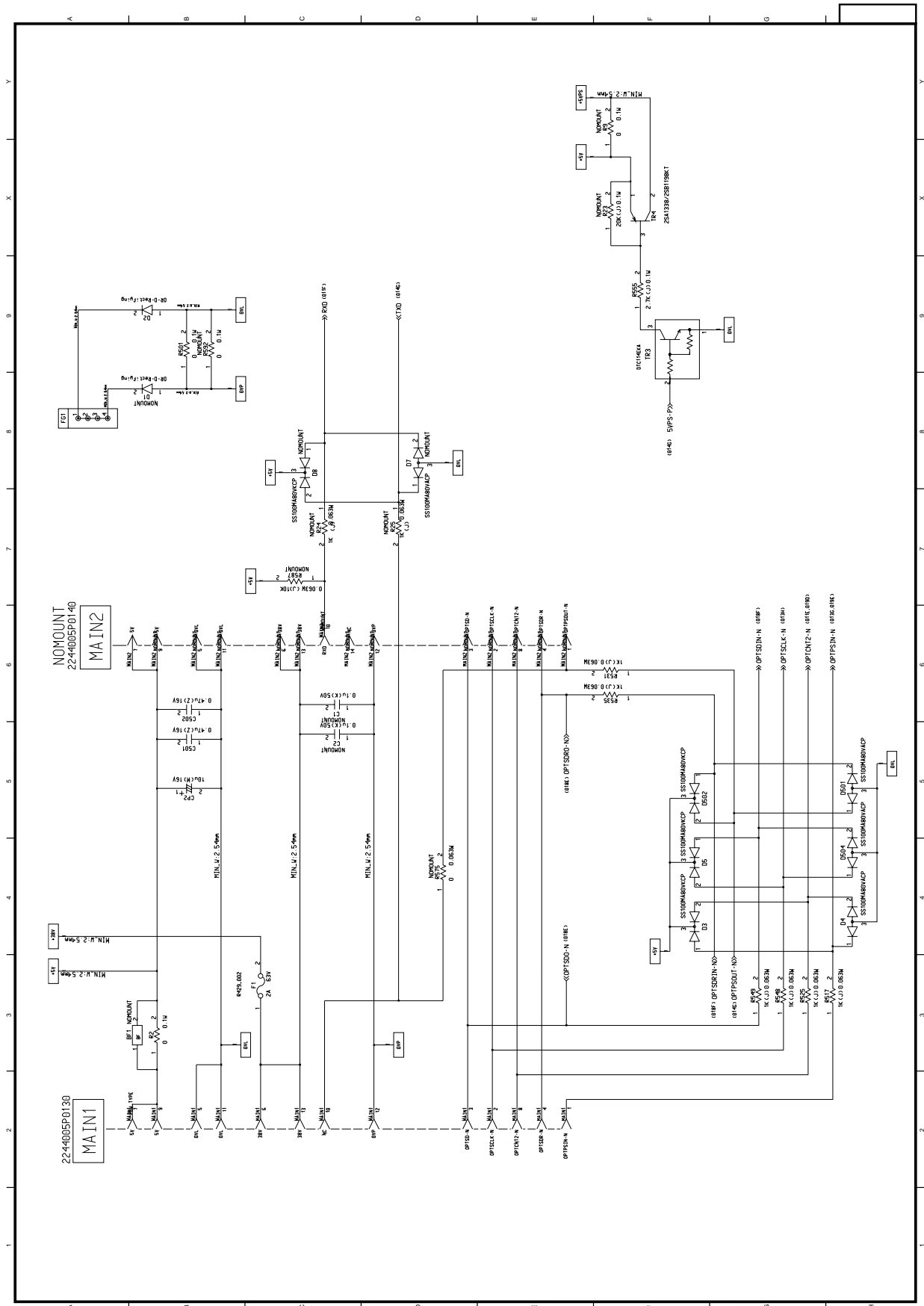


Figure 1-15 Option Tray PWB (V7X) (4/4)

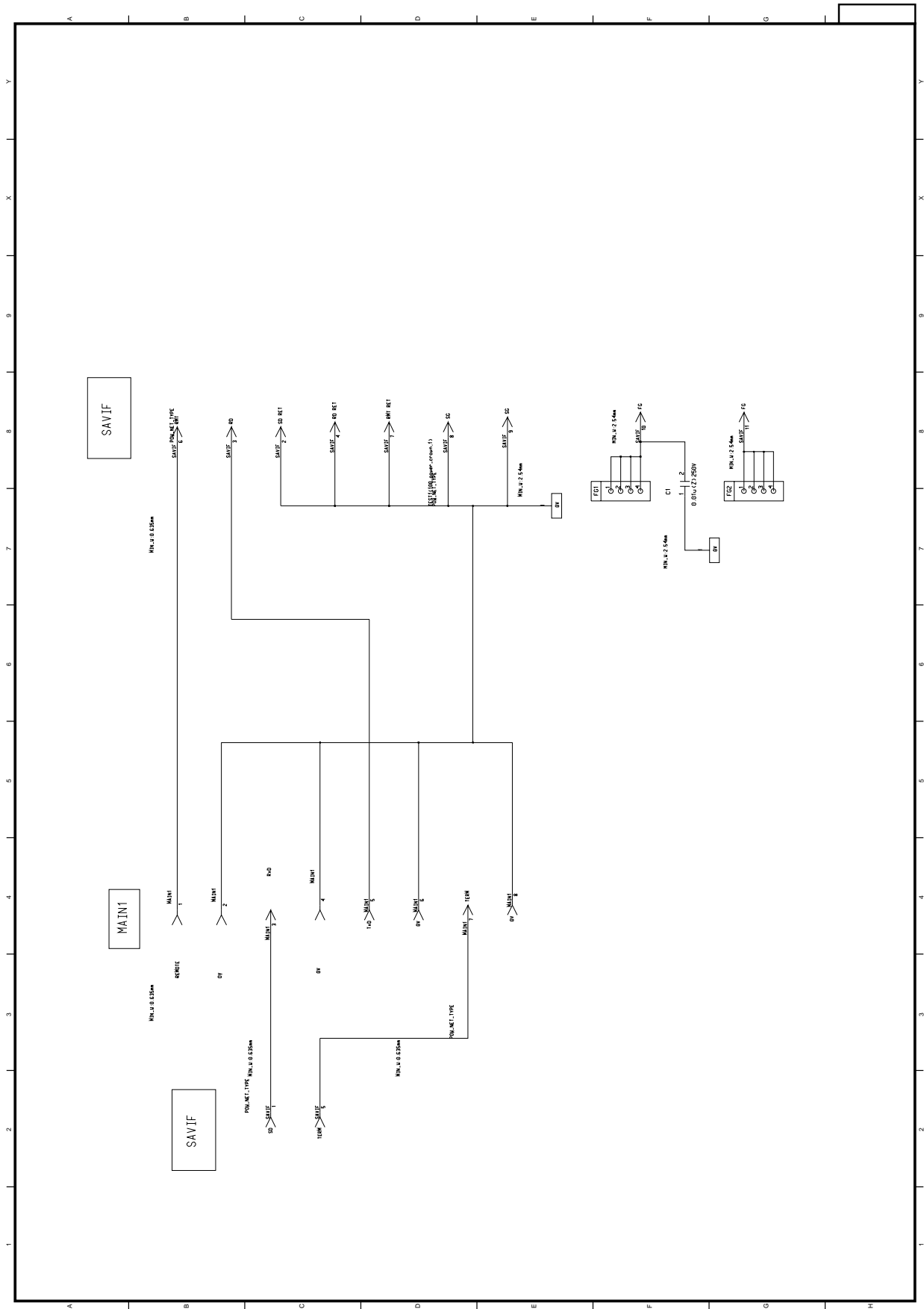
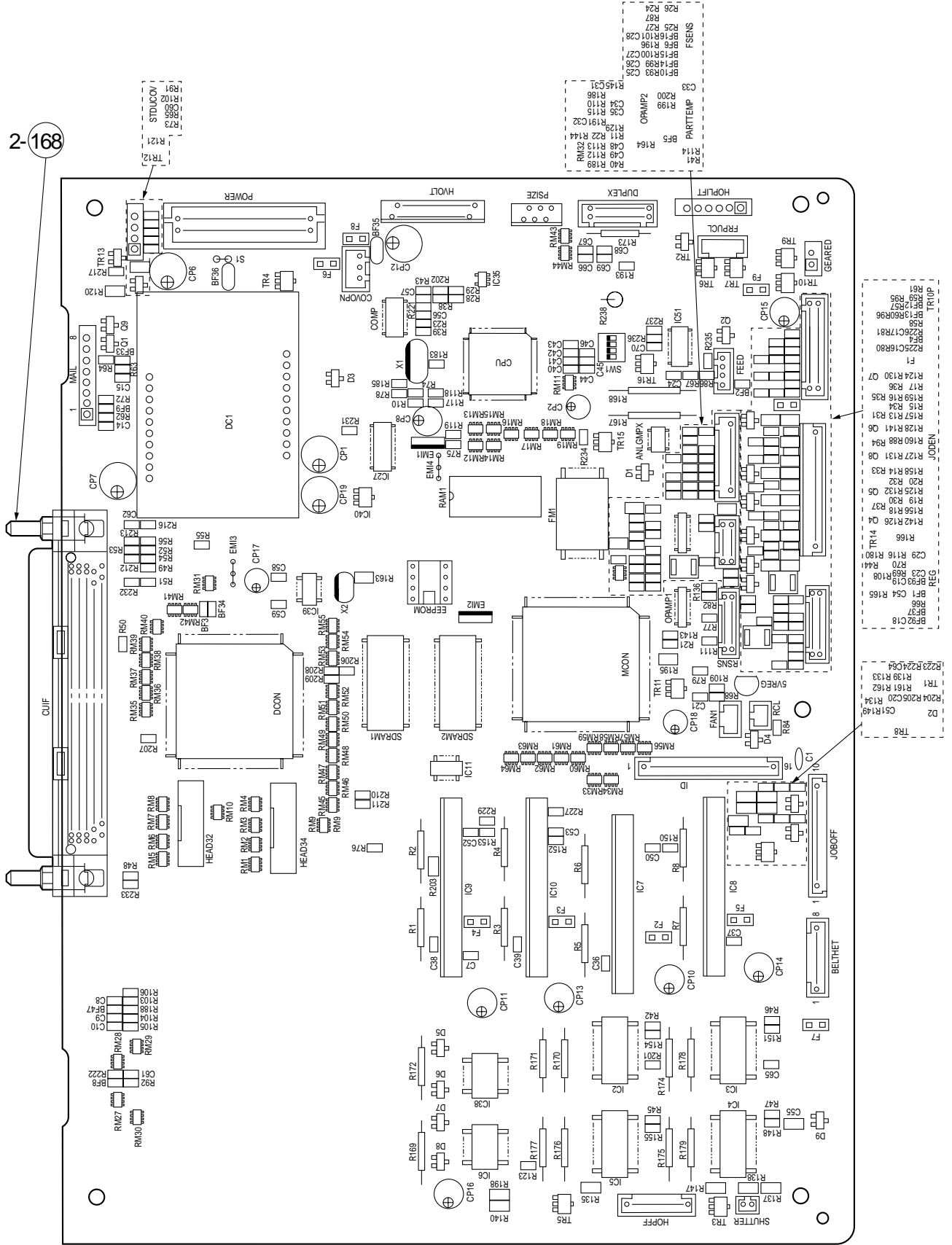


Figure 1-16 Option I/F PWB (C73 C9500/C9300) (1/1)

## 2. COMPONENT PARTS LIST

Print Engine Controller PWB	(K7N)	41897404, 41897403, 41897402, 41897401
Print Engine Controller PWB	(K7V Rev.3 C7300/C7100)	42200301
Main Controller PWB	(TIG)	41850102
Main Controller PWB-VE	(HMF C9500)	42435201
Main Controller PWB-VE	(HME C9300/C7500/C7300/C7100)	42434601
LED Control PWB	(Y73 C9300/C7300/C7100)	41879202, 41879201, 41879204
LED Control PWB	(Y7X C9500/C7500)	42040002, 42040001
Duplex Control PWB	(V73 C9500/C9300)	41206805
Duplex Control PWB	(V71 C7500/C7300/C7100)	41027502
Control Panel PWB	(X7N)	42013101
Entrance Sensor PWB	(R71)	40937501
Paper Size Sensing PWB	(B73 C9500/C9300)	41230301
Paper Size Sensing PWB	(PXC C7500/C7300/C7100)	40140507
Color Registration Sensor PWB	(Z71)	41206401
Option Tray PWB	(V7X)	41768406, 41768405
Option I/F PWB	(C73 C9500/C9300)	41230401

2-168



**K7N-PCB (Print Engine Controller PWB) C9500**  
**(41897404-1/14)**



K7N-PCB (Print Engine Controller PWB) C9500 (41897404-2/14)

**K7N-PCB (Print Engine Controller PWB) C9500  
(41897404-3/14)**

REF. NO.	SYMBOL	TYPE/NAME	PART NO.	Q'TY	REMARKS
1	D2~D9, D501, D506~D509, D511, D514~D517, D524, D526~D528	SB05-05CP OR-Rectifying DI (CP)	610A0332N0001	22	
2	D1, D502, D504, D512, D513, D518~D523, D525, D529	SS100MA80VKCP D-Signal (CP)	611A0000N0002	13	
3	D503, D510	RD20M-B D-Zener (CP)	613A0233M0252	2	
4	D530	SS100MA80VSCP D-Signal (CP)	611A0000N0003	1	
5					
6	R1~R8	RSSX1T52A-0.39ohmJ RES-MET RN -Q	3231340J0398	8	
7	R11, R549, R605, R612, R622, R630, R661, R679, R681	CR/RK73H/ERJ/MCRF102 RES-MET RN -C	3235003F0102	9	
8	R609, R620, R735	CR/RK73H/ERJ/MCRF103 RES-MET RN -C	3235003F0103	3	
9	R13~R20	CR/RK73H/ERJ/MCRF104 RES-MET RN -C	3235003F0104	8	
10	R732	CR/RK73H/ERJ/MCRF132 RES-MET RN -C	3235003F0132	1	
11	R201	CR/RK73H/ERJ/MCRF133 RES-MET RN -C	3235003F0133	1	
12	R21, R22, R45~R47, R603	CR/RK73H/ERJ/MCRF153 RES-MET RN -C	3235003F0153	6	
13	R149, R150, R152, R153	CR/RK73H/ERJ/MCRF183 RES-MET RN -C	3235003F0183	4	
14	R23, R42, R237, R567, R577	CR/RK73H/ERJ/MCRF202 RES-MET RN -C	3235003F0202	5	
15	R24~R27	CR/RK73H/ERJ/MCRF203 RES-MET RN -C	3235003F0203	4	
16	R28, R572, R575	CR/RK73H/ERJ/MCRF204 RES-MET RN -C	3235003F0204	3	



**K7N-PCB (Print Engine Controller PWB) C9500  
(41897404-4/14)**

REF. NO.	SYMBOL	TYPE/NAME	PART NO.	Q'TY	REMARKS
17	R29, R573	CR/RK73H/ERJ/MCRF272 RES-MET RN -C	3235003F0272	2	
18	R30~R37	CR/RK73H/ERJ/MCRF273 RES-MET RN -C	3235003F0273	8	
19	R38~R41, R236, R576	CR/RK73H/ERJ/MCRF302 RES-MET RN -C	3235003F0302	6	
20	R574	CR/RK73H/ERJ/MCRF332 RES-MET RN -C	3235003F0332	1	
21	R202	CR/RK73H/ERJ/MCRF362 RES-MET RN -C	3235003F0362	1	
22	R43, R221, R731	CR/RK73H/ERJ/MCRF512 RES-MET RN -C	3235003F0512	3	
23	R44	CR/RK73H/ERJ/MCRF513 RES-MET RN -C	3235003F0513	1	
24	R610, R621	CR/RK73H/ERJ/MCRF822 RES-MET RN -C	3235003F0822	2	
25	R216, R502, R506, R508~ R510, R512, R517, R530, R532, R541, R556, R557, R569, R611, R613, R614, R632, R634, R647, R655, R685	CR/RK73K/ERJ/MCRJ100 RES-MET RN -C	3235003J0100	22	
26	R49~R61, R207, R515, R516, R518, R561, R579, R580, R597~R600, R637, R638, R641~R643, R652	CR/RK73K/ERJ/MCRJ101 RES-MET RN -C	3235003J0101	30	
27	R62~R70, R205, R222, R224, R231, R234, R544, R559, R586, R587, R602, R604, R606~R608, R618, R619, R644, R645, R654, R656, R677, R727, R739	CR/RK73K/ERJ/MCRJ102 RES-MET RN -C	3235003J0102	32	
28	R10, R48, R72~R77, R79~ R82, R84, R86, R87, R212, R213, R519, R558, R565, R566, R571, R578, R585, R588, R596, R616, R627, R649, R663~R665, R667, R736, R738	CR/RK73K/ERJ/MCRJ103 RES-MET RN -C	3235003J0103	35	

**K7N-PCB (Print Engine Controller PWB) C9500  
(41897404-5/14)**

REF. NO.	SYMBOL	TYPE/NAME	PART NO.	Q'TY	REMARKS
29	R88, R593, R615, R617, R636, R737	CR/RK73K/ERJ/MCRJ104 RES-MET RN -C	3235003J0104	6	
30	R103-R105	CR/RK73K/ERJ/MCRJ121 RES-MET RN -C	3235003J0121	3	
31	R91, R225, R226, R545, R691	CR/RK73K/ERJ/MCRJ201 RES-MET RN -C	3235003J0201	5	
32	R511, R563, R730	CR/RK73K/ERJ/MCRJ202 RES-MET RN -C	3235003J0202	3	
33	R92, R93, R123, R628	CR/RK73K/ERJ/MCRJ203 RES-MET RN -C	3235003J0203	4	
34	R672, R688, R694	CR/RK73K/ERJ/MCRJ242 RES-MET RN -C	3235003J0242	3	
35	R94, R635	CR/RK73K/ERJ/MCRJ273 RES-MET RN -C	3235003J0273	2	
36	R206, R208, R209, R531, R533, R534, R548, R633	CR/RK73K/ERJ/MCRJ300 RES-MET RN -C	3235003J0300	8	
37	R232, R733, R734	CR/RK73K/ERJ/MCRJ302 RES-MET RN -C	3235003J0302	3	
38	R95, R96, R129, R136, R143-R145, R564, R584, R595, R639, R640, R648, R662, R666	CR/RK73K/ERJ/MCRJ332 RES-MET RN -C	3235003J0332	15	
39	R148, R151, R154, R155, R581, R583, R629, R631, R678, R680	CR/RK73K/ERJ/MCRJ333 RES-MET RN -C	3235003J0333	10	
40	R562	CR/RK73K/ERJ/MCRJ472 RES-MET RN -C	3235003J0472	1	
41	R78, R99-R101, R233, R501, R592, R594, R623, R674, R675, R742, R743	CR/RK73K/ERJ/MCRJ473 RES-MET RN -C	3235003J0473	13	
42	R102, R108, R109, R115, R116, R204, R217, R223, R235, R504, R546, R547, R582, R626	CR/RK73K/ERJ/MCRJ512 RES-MET RN -C	3235003J0512	14	
43	R110-R114, R196, R199	CR/RK73K/ERJ/MCRJ682 RES-MET RN -C	3235003J0682	7	

**K7N-PCB (Print Engine Controller PWB) C9500  
(41897404-6/14)**

REF. NO.	SYMBOL	TYPE/NAME	PART NO.	Q'TY	REMARKS
44	R117~R119	CR/RK73K/ERJ/MCRJ750 RES-MET RN -C	3235003J0750	3	
45	R740	RM73B2A102J RES RN (CP)	323A5003J0102	1	
46	R120, R121, R161, R162, R550, R551, R657, R659	RM73B2A103J RES RN (CP)	323A5003J0103	8	
47	R195, R713	RM73B2A202J RES RN (CP)	323A5003J0202	2	
48	R568	RM73B2A203J RES RN (CP)	323A5003J0203	1	
49	R706, R708, R709, R711, R712	RM73B2A242J RES RN (CP)	323A5003J0242	5	
50	R650	RM73B2A303J RES RN (CP)	323A5003J0303	1	
51	R124~R128, R130~R135, R137~R142, R147, R198, R521, R522, R525, R669~R671, R687, R689, R697, R701~R703, R714~R717, R741	RM73B2A332J RES RN (CP)	323A5003J0332	36	
52	R156~R160, R704	RM73B2A513J RES RN (CP)	323A5003J0513	6	
53	R520, R523	RM73B2A751J RES-MET RN (CP)	323A5003J0751	2	
54	R163, R543, R555, R660, R707	2125JPW RES-MET RN (CP)	323A5003P0001	5	
55	R164~R166	ERJ-12YJ750 RES RN (CP)	323A5019J0750	3	
56	R167, R168	RSS2T52A-100ohmJ RES-MET OX -Q	3241024J0101	2	
57	R169~R173	RNS1-1ohmJ RES RS	324A1012J0109	5	
58	R174~R179	RNS1-0.51ohmJ RES RS	324A1012J0518	6	
59	R238	RSS2YVTP-10ohmJ RES-MET OX -P	3241024J0100	1	

**K7N-PCB (Print Engine Controller PWB) C9500  
(41897404-7/14)**

REF. NO.	SYMBOL	TYPE/NAME	PART NO.	Q'TY	REMARKS
60	R106, R180, R183, R185, R186, R188, R189, R191, R193, R200, R210, R211, R227, R229, R507, R535, R536, R538, R570, R624, R625, R744	CR/RK73Z/ERJ/MCRJ-0V RES-Zero ohm -C	3255003P0001	22	
61					
62	RM11, RM13, RM15~ RM19, RM31, RM35~ RM42	CN1J/EXB/BCN100ohmJ RES-Block -C	3345003J0101	16	
63	RM29, RM30, RM32, RM43, RM56~RM64	CN1J/EXB/BCN1KohmJ RES-Block -C	3345003J0102	13	
64	RM27	CN1J/EXB/BCN10KohmJ RES-Block -C	3345003J0103	1	
65	RM53~RM55	CN1J/EXB/BCN33ohmJ RES-Block -C	3345003J0330	3	
66	RM1~RM10, RM45~RM52	CN1J/EXB/BCN47ohmJ RES-Block -C	3345003J0470	18	
67	RM28, RM33, RM34, RM44	CN1J/EXB/BCN47KohmJ RES-Block -C	3345003J0473	4	
68	RM12, RM14	CN1J/EXB/BCN5.1KohmJ RES-Block -C	3345003J0512	2	
69					
70	C1	HKZ5V4B/TCK45F2E103 CAP-Ceramic -P	3024003Z5103	1	
71	C54	GRM/UMK/MCH/101CH CAP-Ceramic -C	3033003C0101	1	
72	C8~C10, C570, C575, C576, C591~C594	GRM/UMK/MCH/391CH CAP-Ceramic -C	3033003C0391	10	
73	C14~C21, C24~C29, C41, C60, C61, C64, C66~C69, C502~C505, C507~C510, C522, C551, C634, C635, C650, C659, C672, C680~C682	GRM/UMK/MCH/680CH CAP-Ceramic -C	3033003C0680	40	

**K7N-PCB (Print Engine Controller PWB) C9500  
(41897404-8/14)**

REF. NO.	SYMBOL	TYPE/NAME	PART NO.	Q'TY	REMARKS
74	C31, C33	CK2012B1E473K 25V CAP-CK (CP)	303A6008K2473	2	
75	C677	CK2012B1H472K 50V CAP-CK (CP)	303A6008K2472	1	
76	C56, C57, C62, C506, C511, C513, C518, C521, C523, C528, C545, C553, C561, C572~C574, C585, C604, C605, C608, C629, C633, C645, C658, C663, C671	GRM/UMK/MCH/102B 50V CAP-Ceramic -C	3036003K0102	26	
77	C559, C588, C631, C676, C679	GRM/UMK/MCH/103B 50V CAP-Ceramic -C	3036003K0103	5	
78	C34, C657	GRM/ TMK/ MCH/ 223B 25V CAP-Ceramic -C	3036003K0223	2	
79	C35, C50~C53	GRM/UMK/MCH/332B 50V CAP-Ceramic -C	3036003K0332	5	
80	C7, C65, C597, C599~ C601, C615, C616, C637, C639, C661, C662, C673	GRM/TMK/MCH/473B 25V CAP-Ceramic -C	3036003K0473	13	
81	C23, C36~C40, C42~C46, C58, C59, C70, C512, C514~C517, C519, C520, C526, C527, C529~C537, C546~C550, C552, C555~ C557, C560, C563, C565, C566, C568, C569, C571, C579~C584, C586, C587, C589, C590, C596, C603, C606, C607, C609~C612, C618~C623, C625, C627, C628, C630, C632, C643, C644, C648, C649, C651, C654~C656, C664, C666, C670, 675	GRM/ TMK/ MCH/ 104Z 25V CAP-Ceramic -C	3036003Z0104	89	
82	C48, C49, C538, C539	GRM/LMK/MCH/105Z 10V CAP-Ceramic -C	3036003Z0105	4	
83	C55, C558, C577, C578, C595, C598, C613, C614, C624, C626, C636, C638, C641, C642, C652, C653, C660, C665, C674	CC2012SL1H102J 50V CAP-CC (CP)	303A3007K0102	19	

**K7N-PCB (Print Engine Controller PWB) C9500  
(41897404-9/14)**

REF. NO.	SYMBOL	TYPE/NAME	PART NO.	Q'TY	REMARKS	
84	C678	CK2012B1H103K CAP-CK	50V (CP)	303A6008K3103	1	
85	C32	CK2012B1H332K CAP-CK	50V (CP)	303A6008K3332	1	
86	C667~C669	CK2012F1H104Z CAP-CK	50V (CP)	303A6008Z3104	3	
87						
88	CP2	UVX/SME-16V-47 $\mu$ F CAP-Alum	16V -P	3041003C1470	1	
89	CP6, CP7, CP19	KMG10VB-470M-FC CAP-CE	10V 470 $\mu$ F	304A1180A1471	3	
90	CP8	KMG25VB-100M-FC CAP-CE	25V 100 $\mu$ F	304A1180E1101	1	
91	CP18	KMG25VB-47M-FC CAP-CE	25V 47 $\mu$ F	304A1180E1470	1	
92	CP12	KMG50VB-100M-FC CAP-CE	50V 100 $\mu$ F	304A1180H1101	1	
93	CP10, CP11, CP13~ CP16	KMG50VB-47M-FC CAP-CE	50V 47 $\mu$ F	304A1180H1470	6	
94	CP17	KMG35VB-22M-FC CAP-CE	35V 22 $\mu$ F	304A1180V1220	1	
95	CP1	6PS390MH11-T15 CAP-Alum	6.3V -Z	3041400J0391	1	
96						
97	IC27	74LS07FP Digital IC-BIP	(SO)	700A0503N0007	1	
98	IC11	74AHCT245PW/PWR Digital IC-MOS	-B	7022903N3245	1	
99	OPAMP1, OPAMP2	LMV324IDR Analog-BILPLIN	-B	7200050N0001	2	
100	IC2~IC5	A2919SLBTR Analog-BIPLIN	-B	7201826N0001	4	

**K7N-PCB (Print Engine Controller PWB) C9500  
(41897404-10/14)**

REF. NO.	SYMBOL	TYPE/NAME	PART NO.	Q'TY	REMARKS
101	IC6, IC38	OR-Analog-BIPLIN -B	42379701	2	
102	IC40	M62733ML-600C Analog-BIPLIN -C	7204022N0002	1	
103	COMP, IC51	NJM2901M/UPC339G2 BIPLIN-IC (SO)	720A0503N0007	2	
104	5VREG	78L05P BIPLIN-IC	720A1000M2005	1	
105	IC35	M62782GP-C60J Analog-BIPLIN -C	7204022N0001	1	
106	IC7-IC10	MTD2005-4101 Analog-BIPLIN -	7201816M0001	4	
107	ANLGMPX	CD4051BPWR Analog-MOSSWITCH -B	7310050N0003	1	
108	SDRAM1, SDRAM2	56V16160-10 MemoryIC-MOSDRAM -S	8020003N4616	2	
109	RAM1	628100LG-55L MemoryIC-MOSSRAM -B	8040003N0603	1	
110	CPU	MSM66577-018TB CPU-MOS(ROM) -F	8530351N0004	1	
111	IC39	IMISM530AYBD-1 CPU-Interface -B	8550084N0002	1	
112					
113	EMI1, EMI2	ZJSC-R47-181 EMI FILTER	342A1012P1181	2	
114	EMI3, EMI4	SHORT WIRE(U TYPE) 0.65 P=5.0	5KH-31036-50	2	
115	FM1	PX713 PU FLASH	41960701	1	
116	DCON	UPD6545GD-241-LML Digital IC-MOS -F	7024923N1175	1	
117	MCON	UPD6594GD-173-LML Digital IC-MOS -F	7024923N1173	1	

**K7N-PCB (Print Engine Controller PWB) C9500  
(41897404-11/14)**

REF. NO.	SYMBOL	TYPE/NAME	PART NO.	Q'TY	REMARKS
118	DC1	ODC26-5S3V3 Analog-MOSDATA -	7320080M8001	1	
119					
120	TR1, TR2, TR501, TR502, TR505~TR513	2SA1338/2SB1198KT TR-PNP/H -C	6001003N0002	13	
121	Q9, Q502	2SA1520/RN2427 TR-PNP/H -C	6001103N0001	2	
122	TR3~TR11	2SB1123 PNP-LF-TR (CP)	601A1032N0002	9	
123	Q1, Q2, Q4~Q8, Q501, Q503~Q505, Q507~Q513, Q515~Q519, Q520, Q521	DTC123YK/YKAT146 TR-NPN/H -C	6021003N0004	25	
124	Q506	DTC124EKAT146 TR-NPN/H -C	6021035N0004	1	
125	TR12~TR14, TR503, TR504	2SC3361/2SC2412KVL NPN-HF-TR (CP)	602A1003N0002	5	
126	Q514	DTC114EKA NPN-HF-TR (CP)	602A1035N0005	1	
127	TR15, TR16	2SD1472 NPN-LF-TR (CP)	603A1121N0007	2	
128					
129	EEPROM	DICF-8CS-E Socket-IC	245A1221P0080	1	
130	SW1	SOR-113HS Switch-Pushbutton	205A1165P1000	1	
131	PARTTEMP	B10B-PHDSS Connector-PCB -	2243004P0100	1	
132	RSNS	B14B-PHDSS Connector-PCB -	2243004P0140	1	
133	DUPLEX, REG	B16B-PHDSS Connector-PCB -	2243004P0160	2	
134	TR10P	B22B-PHDSS Connector-PCB -	2243004P0220	1	



**K7N-PCB (Print Engine Controller PWB) C9500  
(41897404-12/14)**

REF. NO.	SYMBOL	TYPE/NAME	PART NO.	Q'TY	REMARKS
134	JOBOFF	B10B-EH Connector-PCB -	2243022P0100	1	
135	RCL	B2B-PH-K-Y Connector-PCB -	2243500P0022	1	
136	FAN1	B3B-PH-K-R Connector-PCB -	2243500P0031	1	
137	HOPFF	B8B-PH-K-Y Connector-PCB -	2243500P0082	1	
138	COVOPN	B3B-XH-A-Y Connector-PCB -	2243501P0032	1	
139	POWER	B26B-XADSS-N Connector-PCB -	2243504P0260	1	
140	JODEN	1-175487-4 Connector-PCB -	2244005P0140	1	
141	PSIZE	06FE-BT-VK-N Connector-PCB -	2244102P0060	1	
142	HVOLT	16FE-BT-VK-N Connector-PCB -	2244102P0160	1	
143	SHUTTER	B2B-PH-K-S Connector-PC	224A3529P0020	1	
144	FEED	B4B-PH-K-S Connector-PC	224A3529P0040	1	
145	FRPUCL	B5B-PH-K-S Connector-PC	224A3529P0050	1	
146	BELTHET	B8B-PH-K-S Connector-PC	224A3529P0080	1	
147	ID	B16B-PH-K-S Connector-PC	224A3529P0160	1	
148	GEARED	B2B-EH Connector-PC	224A3535P0020	1	
149	STDUCOV	B4B-EH Connector-PC	224A3535P0040	1	
150	HOPLIFT	B6B-EH Connector-PC	224A3535P0060	1	

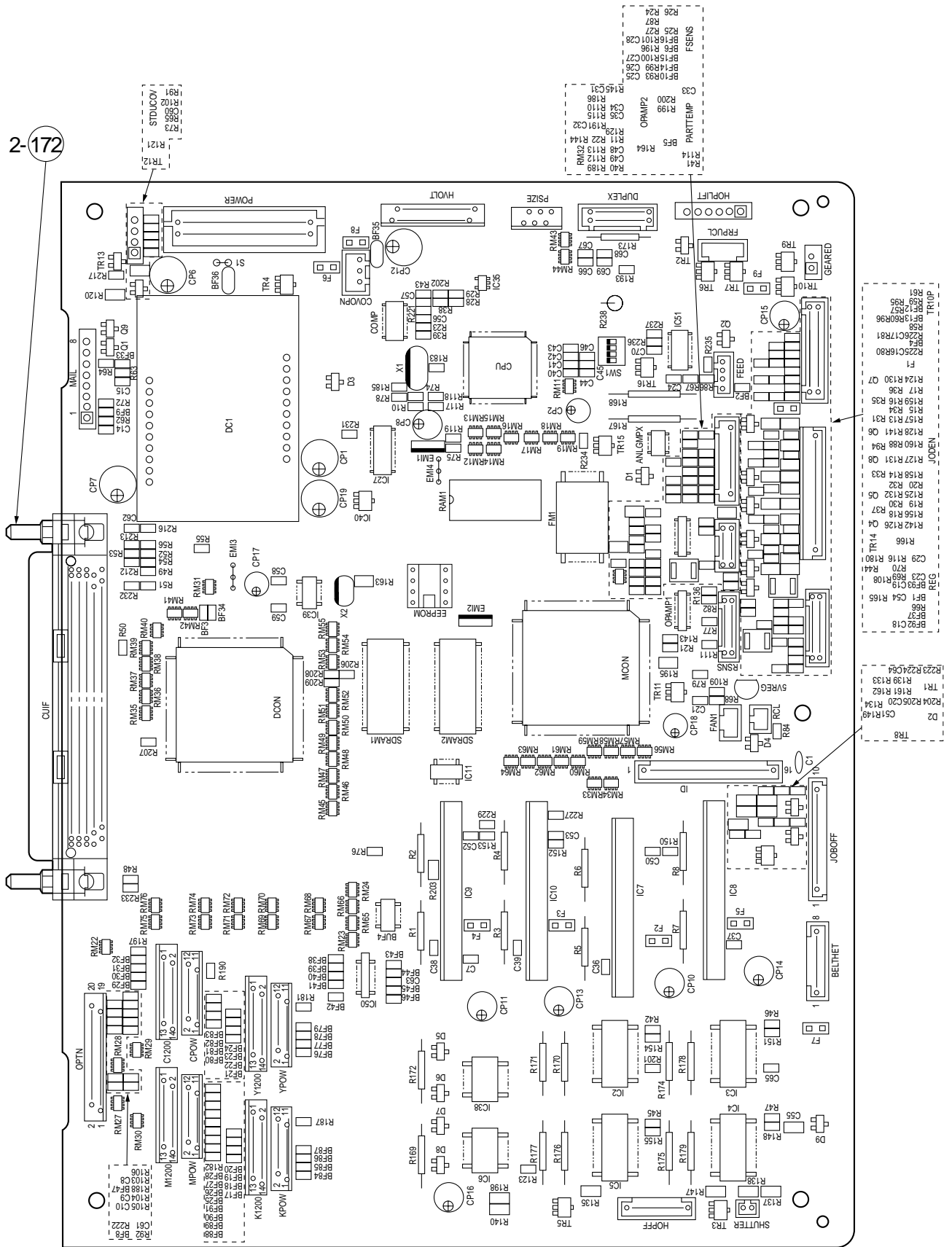
**K7N-PCB (Print Engine Controller PWB) C9500  
(41897404-13/14)**

REF. NO.	SYMBOL	TYPE/NAME	PART NO.	Q'TY	REMARKS
151	MAIL	B8B-EH Connector-PC	224A3535P0080	1	
152	FSENS	175487-9 Connector-PC	224A4322P0090	1	
153	CUIF	787913-2 Connector-PCB	2244017P2000	1	
154	HEAD32	FH12-32S-0.5SV Connector-PCB	2243038P0320	1	-B
155	HEAD34	FH12-34S-0.5SV Connector-PCB	2243038P0340	1	-B
156					
157	X1	CSTLA28M0X51-A0 OSC-Ceramic	3811004B0004	1	-P
158	X2	CSTLS32M0X51-A0 OSC-Ceramic	3811007C0002	1	-P
159				1	
160	R203	BLM21PG220SN1D Core	1055000C0004	1	-C
161	BF1~BF6, BF37, BF501, BF512, BF515, BF522, BF525~BF528	BLM18PG300SN1D Core	1055001C0001	15	-C
162	BF8~BF10, BF12~BF16, BF92, BF93, BF502~ BF511, BF516~BF521, BF523, BF529~BF531	BLM18BD182SN1D Core	1055001C0002	30	-C
163	BF33, BF34, BF47, R722~R726, R729	BLM18AG601SN1D Core	1055002C0001	9	-C
164	BF35, BF36	SA-8506185/ZBF253 Filter-PW line	3771003P0001	2	-N
165	F9	429.250WR FUSE	5402205S1251	1	-C
166	F1~F8	429-002WR FUSE	5402205S7202	8	-C

**K7N-PCB (Print Engine Controller PWB) C9500  
(41897404-14/14)**

REF. NO.	SYMBOL	TYPE/NAME	PART NO.	Q'TY	REMARKS
167	S1	SHORT WIRE (U TYPE) 0.65 P=2.5	5KH-31036-25	1	
168		OR-Postguide	42355601	2	

2-172



K7N-PCB (Print Engine Controller PWB) C9300 (41897403-1/14)



**K7N-PCB (Print Engine Controller PWB) C9300  
(41897403-3/14)**

REF. NO.	SYMBOL	TYPE/NAME	PART NO.	Q'TY	REMARKS
1	D2~D9, D501, D506~D509, D511, D514~D517, D524, D526~D528	SB05-05CP OR-Rectifying DI (CP)	610A0332N0001	22	
2	D1, D502, D504, D512, D513, D518~D523, D525, D529	SS100MA80VKCP D-Signal (CP)	611A0000N0002	13	
3	D503, D510	RD20M-B D-Zener (CP)	613A0233M0252	2	
4	D530	SS100MA80VSCP D-Signal (CP)	611A0000N0003	1	
5					
6	R1~R8	RSSX1T52A-0.39ohmJ RES-MET RN -Q	3231340J0398	8	
7	R11, R549, R605, R612, R622, R630, R661, R679, R681	CR/RK73H/ERJ/MCRF102 RES-MET RN -C	3235003F0102	9	
8	R609, R620, R735	CR/RK73H/ERJ/MCRF103 RES-MET RN -C	3235003F0103	3	
9	R13~R20	CR/RK73H/ERJ/MCRF104 RES-MET RN -C	3235003F0104	8	
10	R732	CR/RK73H/ERJ/MCRF132 RES-MET RN -C	3235003F0132	1	
11	R201	CR/RK73H/ERJ/MCRF133 RES-MET RN -C	3235003F0133	1	
12	R21, R22, R45~R47, R603	CR/RK73H/ERJ/MCRF153 RES-MET RN -C	3235003F0153	6	
13	R149, R150, R152, R153	CR/RK73H/ERJ/MCRF183 RES-MET RN -C	3235003F0183	4	
14	R23, R42, R237, R567, R577	CR/RK73H/ERJ/MCRF202 RES-MET RN -C	3235003F0202	5	
15	R24~R27	CR/RK73H/ERJ/MCRF203 RES-MET RN -C	3235003F0203	4	
16	R28, R572, R575	CR/RK73H/ERJ/MCRF204 RES-MET RN -C	3235003F0204	3	

**K7N-PCB (Print Engine Controller PWB) C9300  
(41897403-4/14)**

REF. NO.	SYMBOL	TYPE/NAME	PART NO.	Q'TY	REMARKS
17	R29, R573	CR/RK73H/ERJ/MCRF272 RES-MET RN -C	3235003F0272	2	
18	R30~R37	CR/RK73H/ERJ/MCRF273 RES-MET RN -C	3235003F0273	8	
19	R38~R41, R236, R576	CR/RK73H/ERJ/MCRF302 RES-MET RN -C	3235003F0302	6	
20	R574	CR/RK73H/ERJ/MCRF332 RES-MET RN -C	3235003F0332	1	
21	R202	CR/RK73H/ERJ/MCRF362 RES-MET RN -C	3235003F0362	1	
22	R43, R221, R731	CR/RK73H/ERJ/MCRF512 RES-MET RN -C	3235003F0512	3	
23	R44	CR/RK73H/ERJ/MCRF513 RES-MET RN -C	3235003F0513	1	
24	R610, R621	CR/RK73H/ERJ/MCRF822 RES-MET RN -C	3235003F0822	2	
25	R216, R502, R506, R508~ R510, R512, R517, R530, R532, R541, R556, R557, R569, R611, R613, R614, R632, R634, R647, R655, R685	CR/RK73K/ERJ/MCRJ100 RES-MET RN -C	3235003J0100	22	
26	R49~R61, R207, R515, R516, R518, R561, R579, R580, R597~R600, R637, R638, R641~R643, R652	CR/RK73K/ERJ/MCRJ101 RES-MET RN -C	3235003J0101	30	
27	R62~R70, R205, R222, R224, R231, R234, R544, R559, R586, R587, R602, R604, R606~R608, R618, R619, R644, R645, R654, R656, R677, R727, R739	CR/RK73K/ERJ/MCRJ102 RES-MET RN -C	3235003J0102	32	
28	R10, R48, R72~R77, R79~ R82, R84, R86, R87, R197, R212, R213, R519, R558, R565, R566, R571, R578, R585, R588, R596, R616, R627, R649, R663~ R665, R667, R736, R738	CR/RK73K/ERJ/MCRJ103 RES-MET RN -C	3235003J0103	36	

**K7N-PCB (Print Engine Controller PWB) C9300  
(41897403-5/14)**

REF. NO.	SYMBOL	TYPE/NAME	PART NO.	Q'TY	REMARKS
29	R88, R593, R615, R617, R636, R737	CR/RK73K/ERJ/MCRJ104 RES-MET RN -C	3235003J0104	6	
30	R103~R105	CR/RK73K/ERJ/MCRJ121 RES-MET RN -C	3235003J0121	3	
31	R91, R225, R226, R545, R691	CR/RK73K/ERJ/MCRJ201 RES-MET RN -C	3235003J0201	5	
32	R511, R563, R730	CR/RK73K/ERJ/MCRJ202 RES-MET RN -C	3235003J0202	3	
33	R92, R93, R123, R628	CR/RK73K/ERJ/MCRJ203 RES-MET RN -C	3235003J0203	4	
34	R672, R688, R694	CR/RK73K/ERJ/MCRJ242 RES-MET RN -C	3235003J0242	3	
35	R94, R635	CR/RK73K/ERJ/MCRJ273 RES-MET RN -C	3235003J0273	2	
36	R206, R208, R209, R531, R533, R534, R548, R633	CR/RK73K/ERJ/MCRJ300 RES-MET RN -C	3235003J0300	8	
37	R232, R733, R734	CR/RK73K/ERJ/MCRJ302 RES-MET RN -C	3235003J0302	3	
38	R95, R96, R129, R136, R143~R145, R564, R584, R595, R639, R640, R648, R662, R666	CR/RK73K/ERJ/MCRJ332 RES-MET RN -C	3235003J0332	15	
39	R148, R151, R154, R155, R581, R583, R629, R631, R678, R680	CR/RK73K/ERJ/MCRJ333 RES-MET RN -C	3235003J0333	10	
40	R562	CR/RK73K/ERJ/MCRJ472 RES-MET RN -C	3235003J0472	1	
41	R78, R99~R101, R233, R501, R591, R592, R623, R674, R675, R742, R743	CR/RK73K/ERJ/MCRJ473 RES-MET RN -C	3235003J0473	13	
42	R102, R108, R109, R115, R116, R204, R217, R223, R235, R504, R546, R547, R582, R626	CR/RK73K/ERJ/MCRJ512 RES-MET RN -C	3235003J0512	14	
43	R110~R114, R196, R199	CR/RK73K/ERJ/MCRJ682 RES-MET RN -C	3235003J0682	7	



**K7N-PCB (Print Engine Controller PWB) C9300  
(41897403-6/14)**

REF. NO.	SYMBOL	TYPE/NAME	PART NO.	Q'TY	REMARKS
44	R117~R119	CR/RK73K/ERJ/MCRJ750 RES-MET RN -C	3235003J0750	3	
45	R740	RM73B2A102J RES RN (CP)	323A5003J0102	1	
46	R120, R121, R161, R162, R550, R551, R657, R659	RM73B2A103J RES RN (CP)	323A5003J0103	8	
47	R195, R713	RM73B2A202J RES RN (CP)	323A5003J0202	2	
48	R568	RM73B2A203J RES RN (CP)	323A5003J0203	1	
49	R706, R708, R709, R711, R712	RM73B2A242J RES RN (CP)	323A5003J0242	5	
50	R650	RM73B2A303J RES RN (CP)	323A5003J0303	1	
51	R124~R128, R130~R135, R137~R142, R147, R198, R521, R522, R525, R669~ R671, R687, R689, R697, R701~R703, R714~R717, R741	RM73B2A332J RES RN (CP)	323A5003J0332	36	
52	R156~R160, R704	RM73B2A513J RES RN (CP)	323A5003J0513	6	
53	R520, R523	RM73B2A751J RES RN (CP)	323A5003J0751	2	
54	R163, R543, R555, R660, R707	2125JPW RN RESISTOR (CP)	323A5003P0001	5	
55	R164~R166	ERJ-12YJ750 RES RN (CP)	323A5019J0750	3	
56	R167, R168	RSS2T52A-100ohmJ RES-MET OX -Q	3241024J0101	2	
57	R169~R173	RNS1-1ohmJ RES RS	324A1012J0109	5	
58	R174~R179	RNS1-0.51ohmJ RES RS	324A1012J0518	6	
59	R238	RSS2YVTP-10ohmJ RES-MET OX -P	3241024J0100	1	

**K7N-PCB (Print Engine Controller PWB) C9300  
(41897403-7/14)**

REF. NO.	SYMBOL	TYPE/NAME	PART NO.	Q'TY	REMARKS
60	R106, R180, R183, R185, R186, R188, R189, R191, R193, R200, R227, R229, R535~R537, R539, R570, R624, R625, R744	CR/RK73Z/ERJ/MCRJ-0V RES-Zero ohm -C	3255003P0001	20	
61					
62	RM11, RM13, RM15~ RM19, RM31, RM35~ RM42	CN1J/EXB/BCN100ohmJ RES-Block -C	3345003J0101	16	
63	RM29, RM30, RM32, RM43, RM56~RM66, RM71, RM72	CN1J/EXB/BCN1KohmJ RES-Block -C	3345003J0102	17	
64	RM27	CN1J/EXB/BCN10KohmJ RES-Block -C	3345003J0103	1	
65	RM23, RM24, RM53~RM55	CN1J/EXB/BCN33ohmJ RES-Block -C	3345003J0330	5	
66	RM45~RM52	CN1J/EXB/BCN47ohmJ RES-Block -C	3345003J0470	8	
67	RM28, RM33, RM34, RM44	CN1J/EXB/BCN47KohmJ RES-Block -C	3345003J0473	4	
68	RM12, RM14	CN1J/EXB/BCN5.1KohmJ RES-Block -C	3345003J0512	2	
69	RM22, RM67~RM70, RM73~RM76	CN1J/EXB/BCN0ohmJ RES-Block -C	3345003P0001	9	
70	C1	HKZ5V4B/TCK45F2E103 CAP-Ceramic -P	3024003Z5103	1	
71	C54	GRM/UMK/MCH/101CH CAP-Ceramic -C	3033003C0101	1	
72	C8~C10, C570, C575, C576, C591~C594	GRM/UMK/MCH/391CH CAP-Ceramic -C	3033003C0391	10	
73	C14~C21, C24~C29, C41, C60, C61, C64, C66~C69, C502~C505, C507~C510, C522, C551, C634, C635, C650, C659, C672, C680~ C682	GRM/UMK/MCH/680CH CAP-Ceramic -C	3033003C0680	40	

**K7N-PCB (Print Engine Controller PWB) C9300  
(41897403-8/14)**

REF. NO.	SYMBOL	TYPE/NAME	PART NO.	Q'TY	REMARKS	
74	C31, C33	CK2012B1E473K CAP-CK	25V (CP)	303A6008K2473	2	
75	C677	CK2012B1H472K CAP-CK	50V (CP)	303A6008K2472	1	
76	C56, C57, C62, C506, C511, C513, C518, C521, C523, C528, C545, C553, C561, C562, C572~C574, C585, C604, C605, C608, C629, C633, C645, C658, C663, C671	GRM/UMK/MCH/102B CAP-Ceramic	50V -C	3036003K0102	27	
77	C559, C588, C631, C676, C679	GRM/UMK/MCH/103B CAP-Ceramic	50V -C	3036003K0103	5	
78	C34, C657	GRM/ TMK/ MCH/ 223B CAP-Ceramic	25V -C	3036003K0223	2	
79	C35, C50~C53	GRM/UMK/MCH/332B CAP-Ceramic	50V -C	3036003K0332	5	
80	C7, C65, C597, C599~ C601, C615, C616, C637, C639, C661, C662, C673	GRM/TMK/MCH/473B CAP-Ceramic	25V -C	3036003K0473	13	
81	C23, C36~C40, C42~C46, C58, C59, C63, C70, C501, C514~C517, C519, C520, C524, C527, C529~ C537, C543, C544, C546~ C550, C552, C554~C557, C560, C563, C565, C566, C568, C569, C571, C579~ C584, C586, C587, C589, C590, C596, C603, C606, C607, C609~C612, C618~ C623, C625, C627, C628, C630, C632, C643, C644, C648, C649, C651, C654~ C656, C664, C666, C670, C675	GRM/ TMK/ MCH/ 104Z CAP-Ceramic	25V -C	3036003Z0104	95	
82	C48, C49, C538, C539	GRM/LMK/MCH/105Z CAP-Ceramic	10V -C	3036003Z0105	4	
83	C55, C558, C577, C578, C595, C598, C613, C614, C624, C626, C636, C638, C641, C642, C652, C653, C660, C665, C674	CC2012SL1H102J CAP-CC	50V (CP)	303A3007K0102	19	

**K7N-PCB (Print Engine Controller PWB) C9300  
(41897403-9/14)**

REF. NO.	SYMBOL	TYPE/NAME	PART NO.	Q'TY	REMARKS	
84	C678	CK2012B1H103K CAP-CK	50V (CP)	303A6008K3103	1	
85	C32	CK2012B1H332K CAP-CK	50V (CP)	303A6008K3332	1	
86	C667~C669	CK2012F1H104Z CAP-CK	50V (CP)	303A6008Z3104	3	
87						
88	CP2	UVX/SME-16V-47 $\mu$ F CAP-Alum	16V -P	3041003C1470	1	
89	CP6, CP7, CP19	KMG10VB-470M-FC CAP-CE	10V 470 $\mu$ F	304A1180A1471	3	
90	CP8	KMG25VB-100M-FC CAP-CE	25V 100 $\mu$ F	304A1180E1101	1	
91	CP18	KMG25VB-47M-FC CAP-CE	25V 47 $\mu$ F	304A1180E1470	1	
92	CP12	KMG50VB-100M-FC CAP-CE	50V 100 $\mu$ F	304A1180H1101	1	
93	CP10, CP11, CP13~ CP16	KMG50VB-47M-FC CAP-CE	50V 47 $\mu$ F	304A1180H1470	6	
94	CP17	KMG35VB-22M-FC CAP-CE	35V 22 $\mu$ F	304A1180V1220	1	
95	CP1	6PS390MH11-T15 CAP-Alum	6.3V -Z	3041400J0391	1	
96						
97	IC27	74LS07FP Digital IC-BIP	(SO)	700A0503N0007	1	
98	BUF4, IC11	74AHCT245PW/PWR Digital IC-MOS	-B	7022903N3245	2	
99	IC50	DS90LV031ATMX Interface IC-MOS	-S	7123053N0004	1	
100	OPAMP1, OPAMP2	LMV324IDR Analog-BILPLIN	-B	7200050N0001	2	

**K7N-PCB (Print Engine Controller PWB) C9300  
(41897403-10/14)**

REF. NO.	SYMBOL	TYPE/NAME	PART NO.	Q'TY	REMARKS
101	IC2-IC5	A2919SLBTR Analog-BIPLIN -B	7201826N0001	4	
102	IC6, IC38	OR-Analog-BIPLIN -B	42379701	2	
103	IC40	M62733ML-600C Analog-BIPLIN -C	7204022N0002	1	
104	COMP, IC51	NJM2901M/UPC339G2 BIPLIN-IC (SO)	720A0503N0007	2	
105	5VREG	78L05P BIPLIN-IC	720A1000M2005	1	
106	IC35	M62782GP-C60J Analog-BIPLIN -C	7204022N0001	1	
107	IC7-IC10	MTD2005-4101 Analog-BIPLIN -	7201816M0001	4	
108	ANLGMPX	CD4051BPWR Analog-MOSSWITCH -B	7310050N0003	1	
109	SDRAM1, SDRAM2	56V16160-10 MemoryIC-MOSDRAM -S	8020003N4616	2	
110	RAM1	628100LG-55L MemoryIC-MOSSRAM -B	8040003N0603	1	
111	CPU	MSM66577-018TB CPU-MOS(ROM) -F	8530351N0004	1	
112	IC39	IMISM530AYBD-1 CPU-Interface -B	8550084N0002	1	
113					
114	EMI1, EMI2	ZJSC-R47-181 EMI FILTER	342A1012P1181	2	
115	EMI3, EMI4	SHORT WIRE(U TYPE) 0.65 P=5.0	5KH-31036-50	2	
116	FM1	PX713 PU FLASH	41960701	1	
117	DCON	UPD6545GD-241-LML Digital IC-MOS -F	7024923N1175	1	

**K7N-PCB (Print Engine Controller PWB) C9300  
(41897403-11/14)**

REF. NO.	SYMBOL	TYPE/NAME	PART NO.	Q'TY	REMARKS
118	MCON	UPD6594GD-173-LML Digital IC-MOS -F	7024923N1173	1	
119	DC1	ODC26-5S3V3 Analog-MOSDATA -	7320080M8001	1	
120					
121	TR1, TR2, TR501, TR502, TR505~TR513	2SA1338/2SB1198KT TR-PNP/H -C	6001003N0002	13	
122	Q9, Q502	2SA1520/RN2427 TR-PNP/H -C	6001103N0001	2	
123	TR3~TR11	2SB1123 PNP-LF-TR (CP)	601A1032N0002	9	
124	Q1, Q2, Q4~Q8, Q501, Q503~Q505, Q507~Q513, Q515~Q519, Q520, Q521	DTC123YK/YKAT146 TR-NPN/H -C	6021003N0004	25	
125	Q506	DTC124EKAT146 TR-NPN/H -C	6021035N0004	1	
126	TR12~TR14, TR503, TR504	2SC3361/2SC2412KVL NPN-HF-TR (CP)	602A1003N0002	5	
127	Q514	DTC114EKA NPN-HF-TR (CP)	602A1035N0005	1	
128	TR15, TR16	2SD1472 NPN-LF-TR (CP)	603A1121N0007	2	
129					
130	EEPROM	DICF-8CS-E Socket-IC	245A1221P0080	1	
131	SW1	SOR-113HS Switch-Pushbutton	205A1165P1000	1	
132	PARTTEMP	B10B-PHDSS Connector-PCB -	2243004P0100	1	
133	RSNS	B14B-PHDSS Connector-PCB -	2243004P0140	1	
134	DUPLEX, REG	B16B-PHDSS Connector-PCB -	2243004P0160	2	

**K7N-PCB (Print Engine Controller PWB) C9300  
(41897403-12/14)**

REF. NO.	SYMBOL	TYPE/NAME	PART NO.	Q'TY	REMARKS
134	TR10P	B22B-PHDSS Connector-PCB -	2243004P0220	1	
135	JOBOFF	B10B-EH Connector-PCB -	2243022P0100	1	
136	RCL	B2B-PH-K-Y Connector-PCB -	2243500P0022	1	
137	FAN1	B3B-PH-K-R Connector-PCB -	2243500P0031	1	
138	HOPFF	B8B-PH-K-Y Connector-PCB -	2243500P0082	1	
139	COVOPN	B3B-XH-A-Y Connector-PCB -	2243501P0032	1	
140	POWER	B26B-XADSS-N Connector-PCB -	2243504P0260	1	
141	JODEN	1-175487-4 Connector-PCB -	2244005P0140	1	
142	PSIZE	06FE-BT-VK-N Connector-PCB -	2244102P0060	1	
143	CPOW, KPOW, MPOW, YPOW	12FE-BT-VK-N Connector-PCB -	2244102P0120	4	
144	C1200, K1200, M1200, Y1200	14FE-BT-VK-N Connector-PCB -	2244102P0140	4	
145	HVOLT	16FE-BT-VK-N Connector-PCB -	2244102P0160	1	
146	SHUTTER	B2B-PH-K-S Connector-PC	224A3529P0020	1	
147	FEED	B4B-PH-K-S Connector-PC	224A3529P0040	1	
148	FRPUCL	B5B-PH-K-S Connector-PC	224A3529P0050	1	
149	BELTHET	B8B-PH-K-S Connector-PC	224A3529P0080	1	
150	ID	B16B-PH-K-S Connector-PC	224A3529P0160	1	

**K7N-PCB (Print Engine Controller PWB) C9300  
(41897403-13/14)**

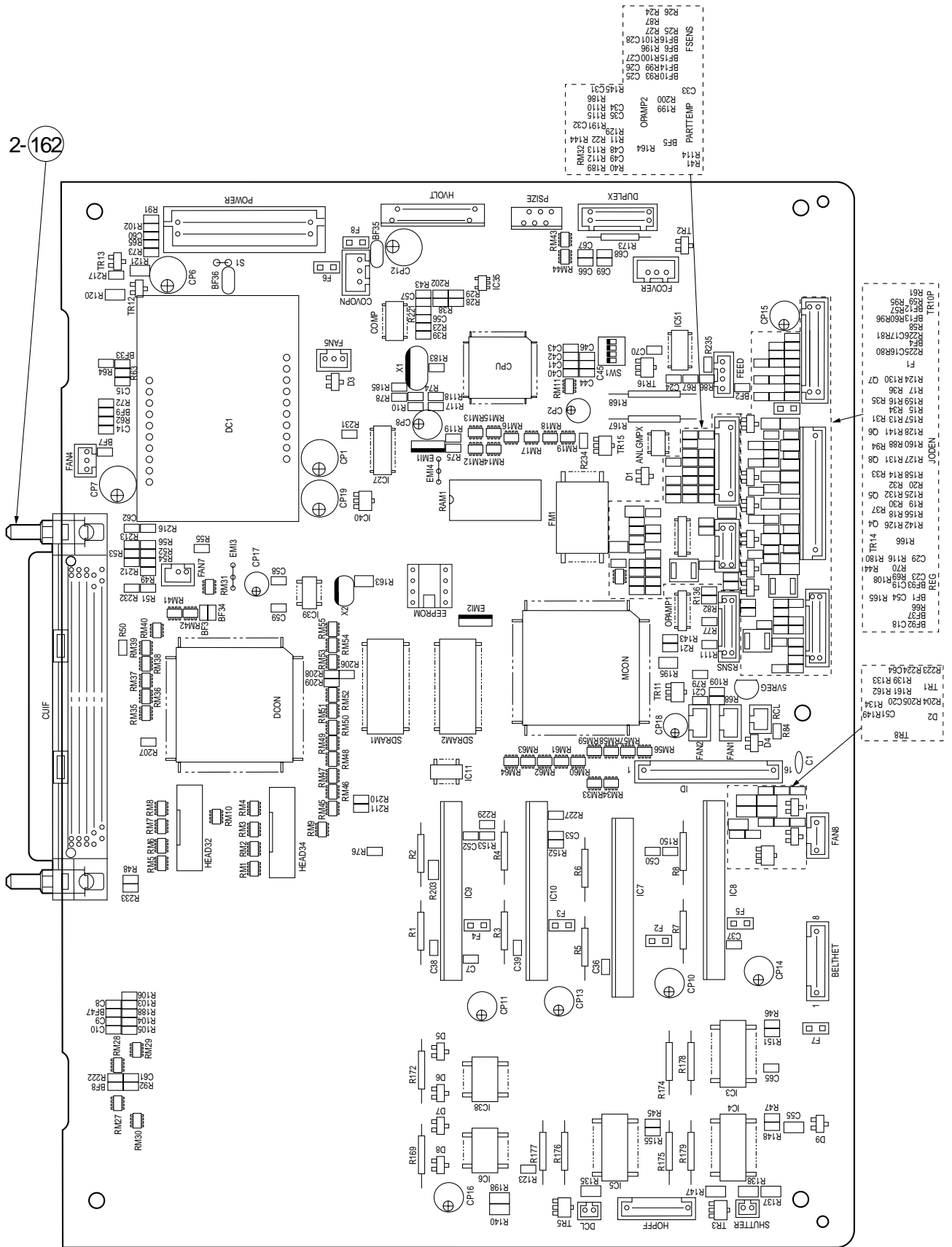
REF. NO.	SYMBOL	TYPE/NAME	PART NO.	Q'TY	REMARKS
151	GEARED	B2B-EH Connector-PC	224A3535P0020	1	
152	STDUCOV	B4B-EH Connector-PC	224A3535P0040	1	
153	HOPLIFT	B6B-EH Connector-PC	224A3535P0060	1	
154	MAIL	B8B-EH Connector-PC	224A3535P0080	1	
155	OPTN	20FE-BT-VK-N Connector-PC	2244102P0200	1	
156	FSENS	175487-9 Connector-PC	224A4322P0090	1	
157	CUIF	787913-2 Connector-PCB	2244017P2000	1	
158					
159	X1	CSTLA28M0X51-A0 OSC-Ceramic	3811004B0004	1	-P
160	X2	CSTLS32M0X51-A0 OSC-Ceramic	3811007C0002	1	-P
161				1	
162	R203	BLM21PG220SN1D Core	1055000C0004	1	-C
163	BF1~BF6, BF37, BF501, BF512, BF515, BF522, BF525~BF528	BLM18PG300SN1D Core	1055001C0001	15	-C
164	BF8~BF10, BF12~BF16, BF92, BF93, BF502~ BF511, BF516~BF521, BF523, BF529~BF531	BLM18BD182SN1D Core	1055001C0002	30	-C
165	BF17~BF32	BLM18BB471SN1D Core	1055001C0003	16	-C
166	BF33, BF34, BF47, BF76~ BF91, R181, R182, R187, R190, R722~R726, R729	BLM18AG601SN1D Core	1055002C0001	29	-C



**K7N-PCB (Print Engine Controller PWB) C9300  
(41897403-14/14)**

REF. NO.	SYMBOL	TYPE/NAME	PART NO.	Q'TY	REMARKS
167	BF35, BF36	SA-8506185/ZBF253 Filter-PW line -N	3771003P0001	2	
168	BF35, BF36	MMZ1608Y152BT Filter-PW line -C	3775004P0011	9	
169	F9	429.250WR FUSE -C	5402205S1251	1	
170	F1~F8	429-002WR FUSE -C	5402205S7202	8	
171	S1	SHORT WIRE (U TYPE) 0.65 P=2.5	5KH-31036-25	1	
172		OR-Postguide	42355601	2	

2-162



K7N-PCB (Print Engine Controller PWB) C7500  
(41897402-1/13)



**K7N-PCB (Print Engine Controller PWB) C7500**  
**(41897402-2/13)**

**K7N-PCB (Print Engine Controller PWB) C7500  
(41897402-3/13)**

REF. NO.	SYMBOL	TYPE/NAME	PART NO.	Q'TY	REMARKS
1	D2~D9, D501, D506~ D509, D511, D514~D517, D526~D528	SB05-05CP OR-Rectifying DI (CP)	610A0332N0001	21	
2	D1, D502, D504, D513, D519~D523, D529	SS100MA80VKCP D-Signal (CP)	611A0000N0002	9	
3	D503, D510	RD20M-B D-Zener (CP)	613A0233M0252	2	
4					
5	R1~R8	RSSX1T52A-0.39ohmJ RES-MET RN -Q	3231340J0398	8	
6	R11, R549, R605, R612, R622, R630, R661, R679, R681	CR/RK73H/ERJ/MCRF102 RES-MET RN -C	3235003F0102	9	
7	R609, R620	CR/RK73H/ERJ/MCRF103 RES-MET RN -C	3235003F0103	2	
8	R13~R20	CR/RK73H/ERJ/MCRF104 RES-MET RN -C	3235003F0104	8	
9	R21, R22, R45~R47, R603	CR/RK73H/ERJ/MCRF153 RES-MET RN -C	3235003F0153	6	
10	R149, R150, R152, R153	CR/RK73H/ERJ/MCRF183 RES-MET RN -C	3235003F0183	4	
11	R23, R567, R577	CR/RK73H/ERJ/MCRF202 RES-MET RN -C	3235003F0202	3	
12	R24~R27	CR/RK73H/ERJ/MCRF203 RES-MET RN -C	3235003F0203	4	
13	R28, R572, R575	CR/RK73H/ERJ/MCRF204 RES-MET RN -C	3235003F0204	3	
14	R29, R573	CR/RK73H/ERJ/MCRF272 RES-MET RN -C	3235003F0272	2	
15	R30~R37	CR/RK73H/ERJ/MCRF273 RES-MET RN -C	3235003F0273	8	
16	R38~R41, R576	CR/RK73H/ERJ/MCRF302 RES-MET RN -C	3235003F0302	5	
17	R574	CR/RK73H/ERJ/MCRF332 RES-MET RN -C	3235003F0332	1	

**K7N-PCB (Print Engine Controller PWB) C7500  
(41897402-4/13)**

REF. NO.	SYMBOL	TYPE/NAME	PART NO.	Q'TY	REMARKS
18	R202	CR/RK73H/ERJ/MCRF362 RES-MET RN -C	3235003F0362	1	
19	R43, R221	CR/RK73H/ERJ/MCRF512 RES-MET RN -C	3235003F0512	2	
20	R44	CR/RK73H/ERJ/MCRF513 RES-MET RN -C	3235003F0513	1	
21	R610, R621	CR/RK73H/ERJ/MCRF822 RES-MET RN -C	3235003F0822	2	
22	R216, R502, R506, R508~ R510, R512, R517, R530, R532, R541, R556, R557, R569, R611, R613, R614, R632, R634, R647, R655, R685	CR/RK73K/ERJ/MCRJ100 RES-MET RN -C	3235003J0100	22	
23	R49~R61, R207, R515, R516, R518, R561, R579, R580, R597~R600, R637, R638, R641~R643, R652	CR/RK73K/ERJ/MCRJ101 RES-MET RN -C	3235003J0101	30	
24	R62~R70, R205, R222, R224, R231, R234, R544, R559, R586, R587, R602, R606~R608, R618, R644, R645, R654, R656, R677, R727, R739	CR/RK73K/ERJ/MCRJ102 RES-MET RN -C	3235003J0102	30	
25	R10, R48, R72~R77, R79~R82, R84, R86, R87, R212, R213, R519, R558, R565, R566, R571, R578, R585, R588, R596, R616, R627, R649, R663~R665, R667	CR/RK73K/ERJ/MCRJ103 RES-MET RN -C	3235003J0103	33	
26	R88, R593, R615, R617, R636	CR/RK73K/ERJ/MCRJ104 RES-MET RN -C	3235003J0104	5	
27	R103~R105	CR/RK73K/ERJ/MCRJ121 RES-MET RN -C	3235003J0121	3	
28	R91, R225, R226, R545, R691	CR/RK73K/ERJ/MCRJ201 RES-MET RN -C	3235003J0201	5	
29	R511, R563	CR/RK73K/ERJ/MCRJ202 RES-MET RN -C	3235003J0202	2	

**K7N-PCB (Print Engine Controller PWB) C7500  
(41897402-5/13)**

REF. NO.	SYMBOL	TYPE/NAME	PART NO.	Q'TY	REMARKS
30	R92, R93, R123, R628	CR/RK73K/ERJ/MCRJ203 RES-MET RN -C	3235003J0203	4	
31	R672, R688, R694	CR/RK73K/ERJ/MCRJ242 RES-MET RN -C	3235003J0242	3	
32	R94, R635	CR/RK73K/ERJ/MCRJ273 RES-MET RN -C	3235003J0273	2	
33	R206, R208, R209, R531, R533, R534, R548, R633	CR/RK73K/ERJ/MCRJ300 RES-MET RN -C	3235003J0300	8	
34	R232, R733, R734	CR/RK73K/ERJ/MCRJ302 RES-MET RN -C	3235003J0302	3	
35	R95, R96, R129, R136, R143-R145, R564, R584, R595, R639, R640, R648, R662, R666	CR/RK73K/ERJ/MCRJ332 RES-MET RN -C	3235003J0332	15	
36	R148, R151, R155, R581, R583, R629, R678, R680	CR/RK73K/ERJ/MCRJ333 RES-MET RN -C	3235003J0333	8	
37	R562	CR/RK73K/ERJ/MCRJ472 RES-MET RN -C	3235003J0472	1	
38	R78, R99-R101, R233, R501, R590, R594, R623, R674, R675, R743	CR/RK73K/ERJ/MCRJ473 RES-MET RN -C	3235003J0473	12	
39	R102, R108, R109, R115, R116, R204, R217, R223, R235, R504, R546, R547, R582, R626	CR/RK73K/ERJ/MCRJ512 RES-MET RN -C	3235003J0512	14	
40	R110-R114, R196, R199	CR/RK73K/ERJ/MCRJ682 RES-MET RN -C	3235003J0682	7	
41	R117-R119	CR/RK73K/ERJ/MCRJ750 RES-MET RN -C	3235003J0750	3	
42	R120, R121, R161, R162, R520, R523, R657, R659	RM73B2A103J RES RN (CP)	323A5003J0103	8	
43	R195	RM73B2A202J RES RN (CP)	323A5003J0202	1	
44	R568	RM73B2A203J RES RN (CP)	323A5003J0203	1	
45	R650	RM73B2A303J RES RN (CP)	323A5003J0303	1	

**K7N-PCB (Print Engine Controller PWB) C7500  
(41897402-6/13)**

REF. NO.	SYMBOL	TYPE/NAME	PART NO.	Q'TY	REMARKS
46	R124~R128, R130~R135, R137~R142, R147, R198, R697, R701~R703, R714~ R717, R741	RM73B2A332J RES RN (CP)	323A5003J0332	27	
47	R156~R160, R704	RM73B2A513J RES RN (CP)	323A5003J0513	6	
48	R550, R551	RM73B2A751J RES RN (CP)	323A5003J0751	2	
49	R163, R503, R526, R552, R554, R660, R682, R707	2125JPW RES-MET RN (CP)	323A5003P0001	8	
50	R164~R166	ERJ-12YJ750 RES RN (CP)	323A5019J0750	3	
51	R167, R168	RSS2T52A-100ohmJ RES-MET OX -Q	3241024J0101	2	
52	R169, R172, R173	RNS1-1ohmJ RES RS	324A1012J0109	3	
53	R174~R179	RNS1-0.51ohmJ RES RS	324A1012J0518	6	
54	R106, R180, R183, R185, R186, R188, R189, R191, R200, R210, R211, R227, R229, R507, R535, R536, R538, R570, R624, R625, R744	CR/RK73Z/ERJ/MCRJ-0V RES-Zero ohm -C	3255003P0001	21	
55					
56	RM11, RM13, RM15~ RM19, RM31, RM35~ RM42	CN1J/EXB/BCN100ohmJ RES-Block -C	3345003J0101	16	
57	RM29, RM30, RM32, RM43, RM56~RM64	CN1J/EXB/BCN1KohmJ RES-Block -C	3345003J0102	13	
58	RM27	CN1J/EXB/BCN10KohmJ RES-Block -C	3345003J0103	1	
59	RM53~RM55	CN1J/EXB/BCN33ohmJ RES-Block -C	3345003J0330	3	
60	RM1~RM10, RM45~RM52	CN1J/EXB/BCN47ohmJ RES-Block -C	3345003J0470	18	

**K7N-PCB (Print Engine Controller PWB) C7500  
(41897402-7/13)**

REF. NO.	SYMBOL	TYPE/NAME	PART NO.	Q'TY	REMARKS
61	RM28, RM33, RM34, RM44	CN1J/EXB/BCN47KohmJ RES-Block -C	3345003J0473	4	
62	RM12, RM14	CN1J/EXB/BCN5.1KohmJ RES-Block -C	3345003J0512	2	
63					
64	C1	HKZ5V4B/TCK45F2E103 CAP-Ceramic -P	3024003Z5103	1	
65	C54	GRM/UMK/MCH/101CH CAP-Ceramic -C	3033003C0101	1	
66	C8~C10, C570, C575, C576, C591~C594	GRM/UMK/MCH/391CH CAP-Ceramic -C	3033003C0391	10	
67	C14~C21, C24~C29, C41, C60, C61, C64, C66~C69, C502~C505, C507~C510, C522, C551, C634, C635, C650, C659, C672, C680~C682	GRM/UMK/MCH/680CH CAP-Ceramic -C	3033003C0680	40	
68	C31, C33	CK2012B1E473K 25V CAP-CK (CP)	303A6008K2473	2	
69	C56, C57, C62, C506, C511, C513, C518, C521, C523, C528, C545, C553, C561, C572~C574, C585, C604, C605, C608, C629, C633, C645, C658, C663, C671	GRM/UMK/MCH/102B 50V CAP-Ceramic -C	3036003K0102	26	
70	C559, C588, C631, C676, C679	GRM/UMK/MCH/103B 50V CAP-Ceramic -C	3036003K0103	5	
71	C34, C657	GRM/ TMK/ MCH/ 223B 25V CAP-Ceramic -C	3036003K0223	2	
72	C35, C50~C53	GRM/UMK/MCH/332B 50V CAP-Ceramic -C	3036003K0332	5	
73	C7, C65, C597, C599~C601, C615, C616, C637, C639, C661, C662, C673	GRM/TMK/MCH/473B 25V CAP-Ceramic -C	3036003K0473	13	



**K7N-PCB (Print Engine Controller PWB) C7500  
(41897402-8/13)**

REF. NO.	SYMBOL	TYPE/NAME	PART NO.	Q'TY	REMARKS
74	C23, C36-C40, C42-C46, C58, C59, C70, C512, C514-C517, C519, C520, C526, C527, C529-C537, C546-C550, C552, C555-C557, C560, C563, C565, C566, C568, C569, C571, C579-C584, C586, C587, C589, C590, C596, C603, C606, C607, C609-C612, C618-C623, C625, C628, C630, C632, C643, C644, C648, C649, C651, C654-C656, C664, C666, C670, C675, C683-C685	GRM/ TMK/ MCH/ 104Z 25V CAP-Ceramic -C	3036003Z0104	91	
75	C48, C49, C538, C539	GRM/LMK/MCH/105Z 10V CAP-Ceramic -C	3036003Z0105	4	
76	C55, C558, C577, C578, C595, C613, C624, C636, C638, C642, C652, C653, C660, C665, C674	CC2012SL1H102J 50V CAP-CC (CP)	303A3007K0102	15	
77	C32	CK2012B1H332K 50V CAP-CK (CP)	303A6008K3332	1	
78	C667-C669	CK2012F1H104Z 50V CAP-CK (CP)	303A6008Z3104	3	
79					
80	CP2	UVX/SME-16V-47 $\mu$ F 16V CAP-Alum -P	3041003C1470	1	
81	CP6, CP7, CP19	KMG10VB-470M-FC 10V CAP-CE 470 $\mu$ F	304A1180A1471	3	
82	CP8	KMG25VB-100M-FC 25V CAP-CE 100 $\mu$ F	304A1180E1101	1	
83	CP18	KMG25VB-47M-FC 25V CAP-CE 47 $\mu$ F	304A1180E1470	1	
84	CP12	KMG50VB-100M-FC 50V CAP-CE 100 $\mu$ F	304A1180H1101	1	
85	CP10, CP11, CP13-CP16	KMG50VB-47M-FC 50V CAP-CE 47 $\mu$ F	304A1180H1470	6	

**K7N-PCB (Print Engine Controller PWB) C7500  
(41897402-9/13)**

REF. NO.	SYMBOL	TYPE/NAME	PART NO.	Q'TY	REMARKS	
86	CP17	KMG35VB-22M-FC CAP-CE	35V 22 $\mu$ F	304A1180V1220	1	
87	CP1	6PS390MH11-T15 CAP-Alum	6.3V -Z	3041400J0391	1	
88						
89	IC27	74LS07FP Digital IC-BIP	(SO)	700A0503N0007	1	
90	IC11	74AHCT245PW/PWR Digital IC-MOS	-B	7022903N3245	1	
91	OPAMP1, OPAMP2	LMV324IDR Analog-BIPLIN	-B	7200050N0001	2	
92	IC3-IC5	A2919SLBTR Analog-BIPLIN	-B	7201826N0001	3	
93	IC6, IC38	OR-Analog-BIPLIN	-B	42379701	2	
94	IC40	M62733ML-600C Analog-BIPLIN	-C	7204022N0002	1	
95	COMP, IC51	NJM2901M/UPC339G2 BIPLIN-IC	(SO)	720A0503N0007	2	
96	5VREG	78L05P BIPLIN-IC		720A1000M2005	1	
97	IC35	M62782GP-C60J Analog-BIPLIN	-C	7204022N0001	1	
98	IC7-IC10	MTD2005-4101 Analog-BIPLIN	-	7201816M0001	4	
99	ANLGMPX	CD4051BPWR Analog-MOSSWITCH	-B	7310050N0003	1	
100	SDRAM1, SDRAM2	56V16160-10 MemoryIC-MOSDRAM	-S	8020003N4616	2	
101	RAM1	628100LG-55L MemoryIC-MOSSRAM	-B	8040003N0603	1	
102	CPU	MSM66577-018TB CPU-MOS(ROM)	-F	8530351N0004	1	

**K7N-PCB (Print Engine Controller PWB) C7500  
(41897402-10/13)**

REF. NO.	SYMBOL	TYPE/NAME	PART NO.	Q'TY	REMARKS
103	IC39	IMISM530AYBD-1 CPU-Interface -B	8550084N0002	1	
104					
105	EMI1, EMI2	ZJSC-R47-181 EMI FILTER	342A1012P1181	2	
106	EMI3, EMI4	SHORT WIRE(U TYPE) 0.65 P=5.0	5KH-31036-50	2	
107	FM1	PX713 PU FLASH	41960701	1	
108	DCON	UPD6545GD-241-LML Digital IC-MOS -F	7024923N1175	1	
109	MCON	UPD6594GD-173-LML Digital IC-MOS -F	7024923N1173	1	
110	DC1	ODC26-5S3V3 Analog-MOSDATA -	7320080M8001	1	
111					
112	TR1, TR2, TR501, TR502, TR505, TR507~TR513	2SA1338/2SB1198KT TR-PNP/H -C	6001003N0002	12	
113	TR506	2SB1690KT146 TR-PNP/H -C	6001035N0002	1	
114	Q502	2SA1520/RN2427 TR-PNP/H -C	6001103N0001	1	
115	TR3, TR5, TR8, TR11	2SB1123 PNP-LF-TR (CP)	601A1032N0002	4	
116	Q4-Q8, Q501, Q503, Q505, Q507-Q513, Q515-Q518, Q520	DTC123YK/YKAT146 TR-NPN/H -C	6021003N0004	20	
117	Q506	DTC124EKAT146 TR-NPN/H -C	6021035N0004	1	
118	TR12~TR14, TR503, TR504	2SC3361/2SC2412KVL NPN-HF-TR (CP)	602A1003N0002	5	
119	Q514	DTC114EKA NPN-HF-TR (CP)	602A1035N0005	1	

**K7N-PCB (Print Engine Controller PWB) C7500  
(41897402-11/13)**

REF. NO.	SYMBOL	TYPE/NAME	PART NO.	Q'TY	REMARKS
120	TR15, TR16	2SD1472 NPN-LF-TR (CP)	603A1121N0007	2	
121					
122	EEPROM	DICF-8CS-E Socket-IC	245A1221P0080	1	
123	SW1	SOR-113HS Switch-Pushbutton	205A1165P1000	1	
124	PARTTEMP	B10B-PHDSS Connector-PCB -	2243004P0100	1	
125	RSNS	B14B-PHDSS Connector-PCB -	2243004P0140	1	
126	DUPLEX, REG	B16B-PHDSS Connector-PCB -	2243004P0160	2	
127	TR10P	B22B-PHDSS Connector-PCB -	2243004P0220	1	
128	DCL	B2B-PH-K-R Connector-PCB -	2243500P0021	1	
129	RCL	B2B-PH-K-Y Connector-PCB -	2243500P0022	1	
130	FAN1	B3B-PH-K-R Connector-PCB -	2243500P0031	1	
131	FAN5	B3B-PH-K-Y Connector-PCB -	2243500P0032	1	
132	FAN7	B3B-PH-K-E Connector-PCB -	2243500P0033	1	
133	FAN4	B3B-PH-K-K Connector-PCB -	2243500P0034	1	
134	FAN8	B3B-XH-A-R Connector-PCB -	2243501P0031	1	
134	FEED	B4B-PH-K-S Connector-PC	224A3529P0040	1	
135	HOPFF	B8B-PH-K-Y Connector-PCB -	2243500P0082	1	

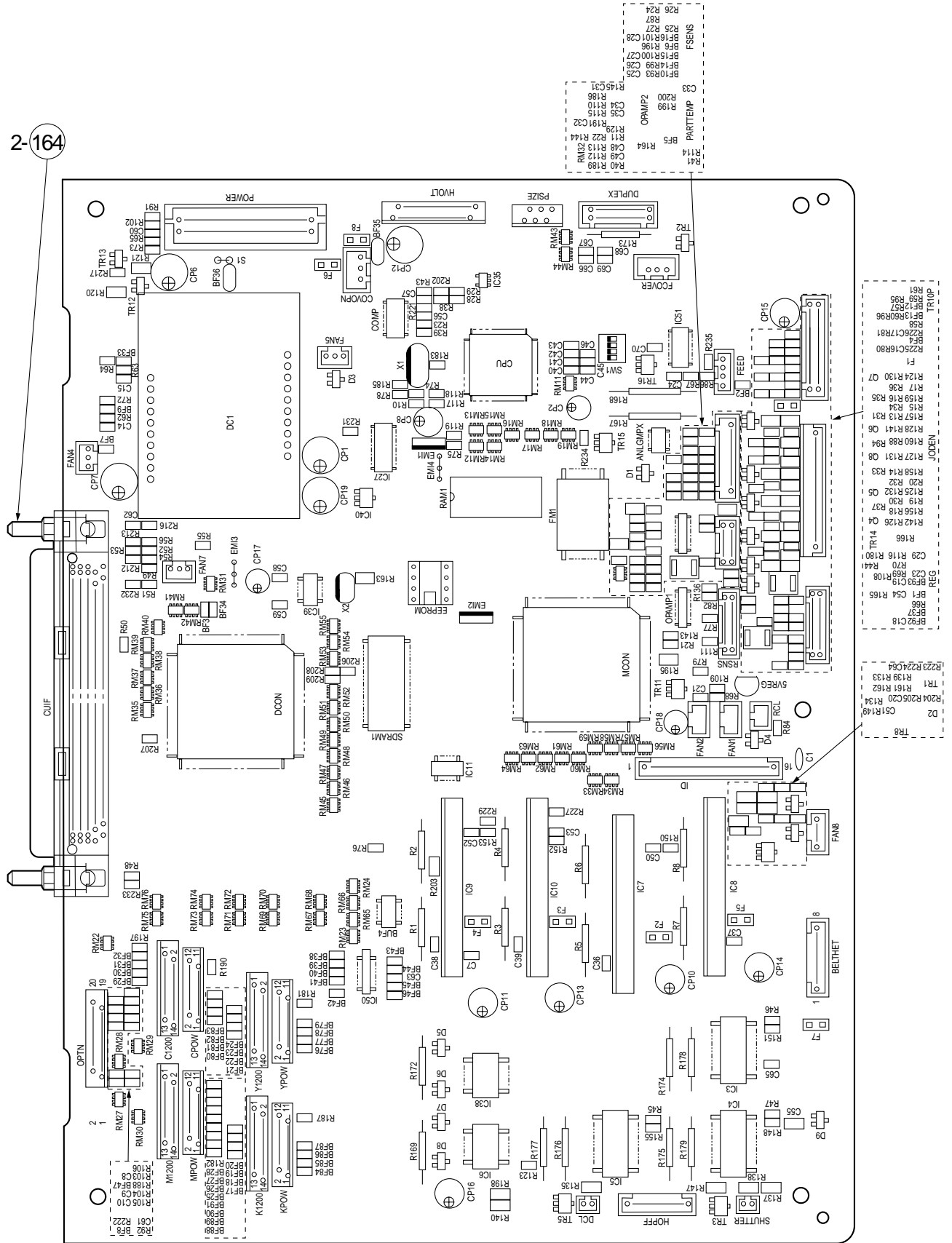
**K7N-PCB (Print Engine Controller PWB) C7500  
(41897402-12/13)**

REF. NO.	SYMBOL	TYPE/NAME	PART NO.	Q'TY	REMARKS
136	COVOPN	B3B-XH-A-Y Connector-PCB -	2243501P0032	1	
137	POWER	B26B-XADSS-N Connector-PCB -	2243504P0260	1	
138	JODEN	1-175487-4 Connector-PCB -	2244005P0140	1	
139	PSIZE	06FE-BT-VK-N Connector-PCB -	2244102P0060	1	
140	HVOLT	16FE-BT-VK-N Connector-PCB -	2244102P0160	1	
141	SHUTTER	B2B-PH-K-S Connector-PC	224A3529P0020	1	
142	FAN2	B3B-PH-K-S Connector-PC	224A3529P0030	1	
143	FRPUCL	B8B-PH-K-S Connector-PC	224A3529P0080	1	
144	BELTHET	B16B-PH-K-S Connector-PC	224A3529P0160	1	
145	ID	B2B-EH Connector-PC	224A3535P0020	1	
146	FCOVER	B3B-XH-A Connector-PC	224A3530P0030	1	
147	FSENS	175487-9 Connector-PCB	224A4322P0090	1	
148	CUIF	787913-2 Connector-PCB	2244017P2000	1	
149	HEAD32	FH12-32S-0.5SV Connector-PCB -B	2243038P0320	1	
150	HEAD34	FH12-34S-0.5SV Connector-PCB -B	2243038P0340	1	
151					
152	X1	CSTLA28M0X51-A0 OSC-Ceramic -P	3811004B0004	1	

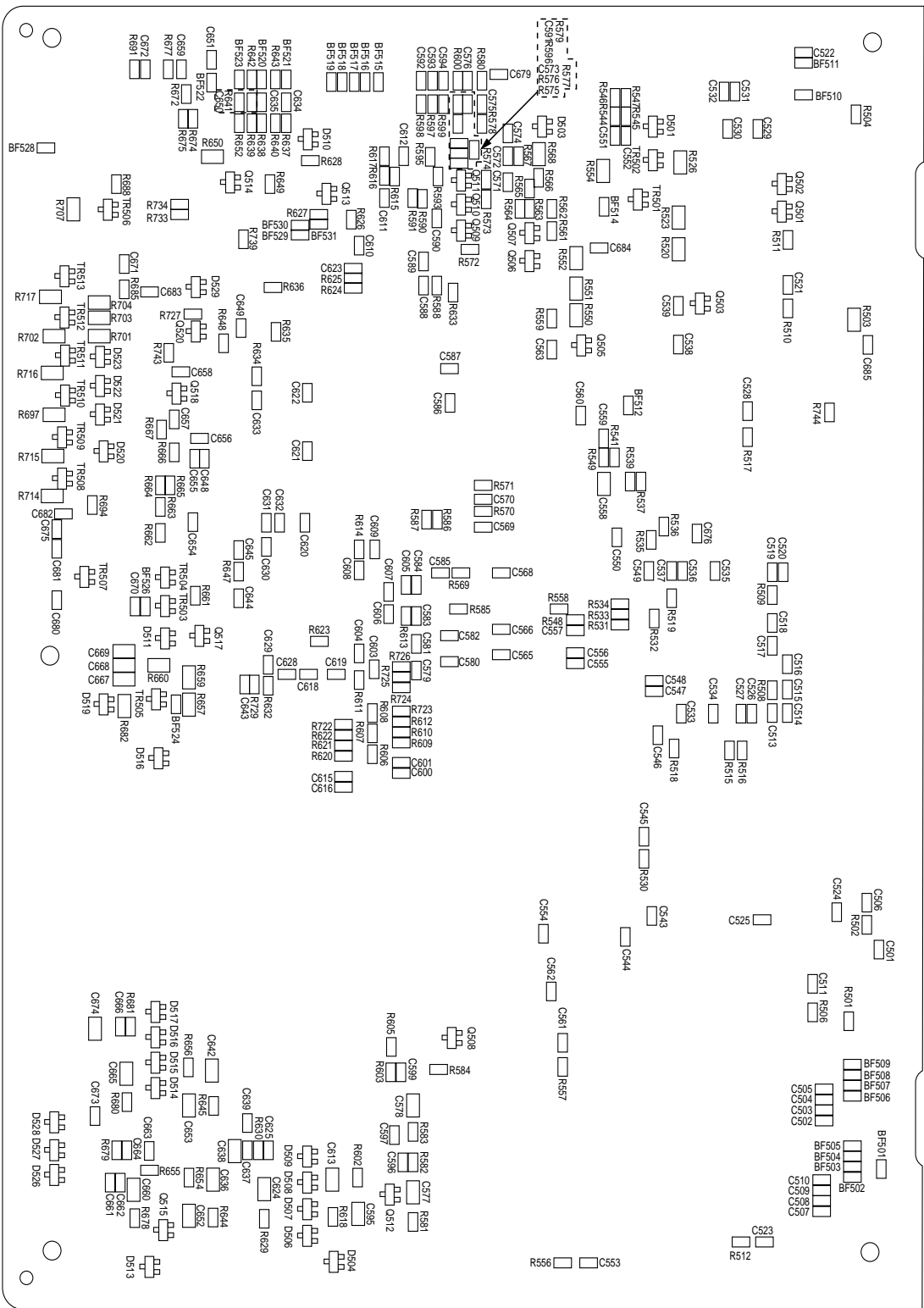
**K7N-PCB (Print Engine Controller PWB) C7500  
(41897402-13/13)**

REF. NO.	SYMBOL	TYPE/NAME	PART NO.	Q'TY	REMARKS
153	X2	CSTLS32M0X51-A0 OSC-Ceramic -P	3811007C0002	1	
154					
155	R203	BLM21PG220SN1D Core -C	1055000C0004	1	
156	BF1~BF7, BF37, BF501, BF512, BF514, BF515, BF522, BF524, BF526, BF528	BLM18PG300SN1D Core -C	1055001C0001	16	
157	BF8~BF10, BF12~BF16, BF92, BF93, BF502~ BF511, BF516~BF521, BF523, BF529~BF531	BLM18BD182SN1D Core -C	1055001C0002	30	
158	BF33, BF34, BF47, R722~R726, R729	BLM18AG601SN1D Core -C	1055002C0001	9	
159	BF35, BF36	SA-8506185/ZBF253 Filter-PW line -N	3771003P0001	2	
160	F1~F8	429-002WR FUSE -C	5402205S7202	8	
161	S1	SHORT WIRE (U TYPE) 0.65 P=2.5	5KH-31036-25	1	
162		OR-Postguide	42355601	2	

2-164



K7N-PCB (Print Engine Controller PWB) C7300/C7100 (41897401-1/13)



**K7N-PCB (Print Engine Controller PWB) C7300/C7100  
(41897401-2/13)**



**K7N-PCB (Print Engine Controller PWB) C7300/C7100  
(41897401-3/13)**

REF. NO.	SYMBOL	TYPE/NAME	PART NO.	Q'TY	REMARKS
1	D2~D9, D501, D506~ D509, D511, D514~D517, D526~D528	SB05-05CP OR-Rectifying DI (CP)	610A0332N0001	21	
2	D1, D504, D513, D519~ D523, D529	SS100MA80VKCP D-Signal (CP)	611A0000N0002	9	
3	D503, D510	RD20M-B D-Zener (CP)	613A0233M0252	2	
4					
5	R1~R8	RSSX1T52A-0.39ohmJ RES-MET RN -Q	3231340J0398	8	
6	R11, R549, R605, R612, R622, R630, R661, R679, R681	CR/RK73H/ERJ/MCRF102 RES-MET RN -C	3235003F0102	9	
7	R609, R620	CR/RK73H/ERJ/MCRF103 RES-MET RN -C	3235003F0103	2	
8	R13~R20	CR/RK73H/ERJ/MCRF104 RES-MET RN -C	3235003F0104	8	
9	R21, R22, R45~R47, R603	CR/RK73H/ERJ/MCRF153 RES-MET RN -C	3235003F0153	6	
10	R149, R150, R152, R153	CR/RK73H/ERJ/MCRF183 RES-MET RN -C	3235003F0183	4	
11	R23, R567, R577	CR/RK73H/ERJ/MCRF202 RES-MET RN -C	3235003F0202	3	
12	R24~R27	CR/RK73H/ERJ/MCRF203 RES-MET RN -C	3235003F0203	4	
13	R28, R572, R575	CR/RK73H/ERJ/MCRF204 RES-MET RN -C	3235003F0204	3	
14	R29, R573	CR/RK73H/ERJ/MCRF272 RES-MET RN -C	3235003F0272	2	
15	R30~R37	CR/RK73H/ERJ/MCRF273 RES-MET RN -C	3235003F0273	8	
16	R38~R41, R576	CR/RK73H/ERJ/MCRF302 RES-MET RN -C	3235003F0302	5	
17	R574	CR/RK73H/ERJ/MCRF332 RES-MET RN -C	3235003F0332	1	

**K7N-PCB (Print Engine Controller PWB) C7300/C7100  
(41897401-4/13)**

REF. NO.	SYMBOL	TYPE/NAME	PART NO.	Q'TY	REMARKS
18	R202	CR/RK73H/ERJ/MCRF362 RES-MET RN -C	3235003F0362	1	
19	R43, R221	CR/RK73H/ERJ/MCRF512 RES-MET RN -C	3235003F0512	2	
20	R44	CR/RK73H/ERJ/MCRF513 RES-MET RN -C	3235003F0513	1	
21	R610, R621	CR/RK73H/ERJ/MCRF822 RES-MET RN -C	3235003F0822	2	
22	R216, R502, R506, R508~ R510, R512, R517, R530, R532, R541, R556, R557, R569, R611, R613, R614, R632, R634, R647, R655, R685	CR/RK73K/ERJ/MCRJ100 RES-MET RN -C	3235003J0100	22	
23	R49~R61, R207, R515, R516, R518, R561, R579, R580, R597~R600, R637, R638, R641~R643, R652	CR/RK73K/ERJ/MCRJ101 RES-MET RN -C	3235003J0101	30	
24	R62~R70, R205, R222, R224, R231, R234, R544, R559, R586, R587, R602, R606~R608, R618, R644, R645, R654, R656, R677, R727, R739	CR/RK73K/ERJ/MCRJ102 RES-MET RN -C	3235003J0102	30	
25	R10, R48, R72~R77, R79~ R82, R84, R86, R87, R197, R212, R213, R519, R558, R565, R566, R571, R578, R585, R588, R596, R616, R627, R649, R663~ R665, R667	CR/RK73K/ERJ/MCRJ103 RES-MET RN -C	3235003J0103	34	
26	R88, R593, R615, R617, R636	CR/RK73K/ERJ/MCRJ104 RES-MET RN -C	3235003J0104	5	
27	R103~R105	CR/RK73K/ERJ/MCRJ121 RES-MET RN -C	3235003J0121	3	
28	R91, R225, R226, R545, R691	CR/RK73K/ERJ/MCRJ201 RES-MET RN -C	3235003J0201	5	
29	R511, R563	CR/RK73K/ERJ/MCRJ202 RES-MET RN -C	3235003J0202	2	

**K7N-PCB (Print Engine Controller PWB) C7300/C7100  
(41897401-5/13)**

REF. NO.	SYMBOL	TYPE/NAME	PART NO.	Q'TY	REMARKS
30	R92, R93, R123, R628	CR/RK73K/ERJ/MCRJ203 RES-MET RN -C	3235003J0203	4	
31	R672, R688, R694	CR/RK73K/ERJ/MCRJ242 RES-MET RN -C	3235003J0242	3	
32	R94, R635	CR/RK73K/ERJ/MCRJ273 RES-MET RN -C	3235003J0273	2	
33	R206, R208, R209, R531, R533, R534, R548, R633	CR/RK73K/ERJ/MCRJ300 RES-MET RN -C	3235003J0300	8	
34	R232, R733, R734	CR/RK73K/ERJ/MCRJ302 RES-MET RN -C	3235003J0302	3	
35	R95, R96, R129, R136, R143-R145, R564, R584, R595, R639, R640, R648, R662, R666	CR/RK73K/ERJ/MCRJ332 RES-MET RN -C	3235003J0332	15	
36	R148, R151, R155, R581, R583, R629, R678, R680	CR/RK73K/ERJ/MCRJ333 RES-MET RN -C	3235003J0333	8	
37	R562	CR/RK73K/ERJ/MCRJ472 RES-MET RN -C	3235003J0472	1	
38	R78, R99-R101, R233, R501, R590, R591, R623, R674, R675, R742, R743	CR/RK73K/ERJ/MCRJ473 RES-MET RN -C	3235003J0473	12	
39	R102, R108, R109, R115, R116, R204, R217, R223, R235, R504, R546, R547, R582, R626	CR/RK73K/ERJ/MCRJ512 RES-MET RN -C	3235003J0512	14	
40	R110-R114, R196, R199	CR/RK73K/ERJ/MCRJ682 RES-MET RN -C	3235003J0682	7	
41	R117-R119	CR/RK73K/ERJ/MCRJ750 RES-MET RN -C	3235003J0750	3	
42	R120, R121, R161, R162, R520, R523, R657, R659	RM73B2A103J RES RN (CP)	323A5003J0103	8	
43	R195	RM73B2A202J RES RN (CP)	323A5003J0202	1	
44	R568	RM73B2A203J RES RN (CP)	323A5003J0203	1	
45	R650	RM73B2A303J RES RN (CP)	323A5003J0303	1	

**K7N-PCB (Print Engine Controller PWB) C7300/C7100  
(41897401-6/13)**

REF. NO.	SYMBOL	TYPE/NAME	PART NO.	Q'TY	REMARKS
46	R124~R128, R130~R135, R137~R142, R147, R198, R697, R701~R703, R714~ R717, R741	RM73B2A332J RES RN (CP)	323A5003J0332	27	
47	R156~R160, R704	RM73B2A513J RES RN (CP)	323A5003J0513	6	
48	R550, R551	RM73B2A751J RES RN (CP)	323A5003J0751	2	
49	R163, R503, R526, R554, R660, R682, R707	2125JPW RES-MET RN (CP)	323A5003P0001	8	
50	R164~R166	ERJ-12YJ750 RES RN (CP)	323A5019J0750	3	
51	R167, R168	RSS2T52A-100ohmJ RES-MET OX -Q	3241024J0101	2	
52	R169, R172, R173	RNS1-1ohmJ RES RS	324A1012J0109	3	
53	R174~R179	RNS1-0.51ohmJ RES RS	324A1012J0518	6	
54	R106, R180~R183, R185~ R191, R200, R227, R229, R535~R537, R539, R570, R624, R625, R744	CR/RK73Z/ERJ/MCRJ-0V RES-Zero ohm -C	3255003P0001	23	
55					
56	RM11, RM13, RM15~ RM19, RM31, RM35~ RM42	CN1J/EXB/BCN100ohmJ RES-Block -C	3345003J0101	16	
57	RM29, RM30, RM32, RM43, RM56~RM66, RM71, RM72	CN1J/EXB/BCN1KohmJ RES-Block -C	3345003J0102	17	
58	RM27	CN1J/EXB/BCN10KohmJ RES-Block -C	3345003J0103	1	
59	RM22, RM24, RM53~ RM55	CN1J/EXB/BCN33ohmJ RES-Block -C	3345003J0330	5	
60	RM45~RM52	CN1J/EXB/BCN47ohmJ RES-Block -C	3345003J0470	8	

**K7N-PCB (Print Engine Controller PWB) C7300/C7100  
(41897401-7/13)**

REF. NO.	SYMBOL	TYPE/NAME	PART NO.	Q'TY	REMARKS
61	RM28, RM33, RM34, RM44	CN1J/EXB/BCN47KohmJ RES-Block -C	3345003J0473	4	
62	RM12, RM14	CN1J/EXB/BCN5.1KohmJ RES-Block -C	3345003J0512	2	
63	RM22, RM67~RM70, RM73~RM76	CN1J/EXB/BCN0ohmJ RES-Block -C	3345003P0001	9	
64	C1	HKZ5V4B/TCK45F2E103 CAP-Ceramic -P	3024003Z5103	1	
65	C54	GRM/UMK/MCH/101CH CAP-Ceramic -C	3033003C0101	1	
66	C8~C10, C570, C575, C576, C591~C594	GRM/UMK/MCH/391CH CAP-Ceramic -C	3033003C0391	10	
67	C14~C21, C24~C29, C41, C60, C61, C64, C66~C69, C502~C505, C507~C510, C522, C551, C634, C635, C650, C659, C672, C680~C682	GRM/UMK/MCH/680CH CAP-Ceramic -C	3033003C0680	40	
68	C31, C33	CK2012B1E473K 25V CAP-CK (CP)	303A6008K2473	2	
69	C56, C57, C62, C506, C511, C513, C518, C521, C523, C528, C545, C553, C561, C562, C572~C574, C585, C604, C605, C608, C629, C633, C645, C658, C663, C671	GRM/UMK/MCH/102B 50V CAP-Ceramic -C	3036003K0102	27	
70	C559, C588, C631, C676, C679	GRM/UMK/MCH/103B 50V CAP-Ceramic -C	3036003K0103	5	
71	C34, C657	GRM/ TMK/ MCH/ 223B 25V CAP-Ceramic -C	3036003K0223	2	
72	C35, C50~C53	GRM/UMK/MCH/332B 50V CAP-Ceramic -C	3036003K0332	5	
73	C7, C65, C597, C599~C601, C615, C616, C637, C639, C661, C662, C673	GRM/TMK/MCH/473B 25V CAP-Ceramic -C	3036003K0473	13	

**K7N-PCB (Print Engine Controller PWB) C7300/C7100  
(41897401-8/13)**

REF. NO.	SYMBOL	TYPE/NAME	PART NO.	Q'TY	REMARKS
74	C23, C36~C40, C42~C46, C58, C59, C63, C70, C501, C514~C517, C519, C520, C524~C527, C529~C537, C544, C546~C550, C552, C554~C557, C560, C563, C565, C566, C568, C569, C571, C579~C584, C586, C587, C589, C590, C596, C603, C606, C607, C609~C612, C618~C623, C625, C628, C630, C632, C643, C644, C648, C649, C651, C654~C656, C664, C666, C670, C675, C683~C685	GRM/ TMK/ MCH/ 104Z 25V CAP-Ceramic -C	3036003Z0104	97	
75	C48, C49, C538, C539	GRM/LMK/MCH/105Z 10V CAP-Ceramic -C	3036003Z0105	4	
76	C55, C558, C577, C578, C595, C613, C624, C636, C638, C642, C652, C653, C660, C665, C674	CC2012SL1H102J 50V CAP-CC (CP)	303A3007K0102	15	
77	C32	CK2012B1H332K 50V CAP-CK (CP)	303A6008K3332	1	
78	C667~C669	CK2012F1H104Z 50V CAP-CK (CP)	303A6008Z3104	3	
79					
80	CP2	UVX/SME-16V-47 $\mu$ F 16V CAP-Alum -P	3041003C1470	1	
81	CP6, CP7, CP19	KMG10VB-470M-FC 10V CAP-CE 470 $\mu$ F	304A1180A1471	3	
82	CP8	KMG25VB-100M-FC 25V CAP-CE 100 $\mu$ F	304A1180E1101	1	
83	CP18	KMG25VB-47M-FC 25V CAP-CE 47 $\mu$ F	304A1180E1470	1	
84	CP12	KMG50VB-100M-FC 50V CAP-CE 100 $\mu$ F	304A1180H1101	1	
85	CP10, CP11, CP13~CP16	KMG50VB-47M-FC 50V CAP-CE 47 $\mu$ F	304A1180H1470	6	

**K7N-PCB (Print Engine Controller PWB) C7300/C7100  
(41897401-9/13)**

REF. NO.	SYMBOL	TYPE/NAME	PART NO.	Q'TY	REMARKS	
86	CP17	KMG35VB-22M-FC CAP-CE	35V 22 $\mu$ F	304A1180V1220	1	
87	CP1	6PS390MH11-T15 CAP-Alum	6.3V -Z	3041400J0391	1	
88						
89	IC27	74LS07FP Digital IC-BIP	(SO)	700A0503N0007	1	
90	BFU4, IC11	74AHCT245PW/PWR Digital IC-MOS	-B	7022903N3245	2	
91	IC50	DS90LV031ATMX Interface IC-MOS	-B	7123053N0004	1	
92	OPAMP1, OPAMP2	LMV324IDR Analog-BIPLIN	-B	7200050N0001	2	
93	IC3-IC5	A2919SLBTR Analog-BIPLIN	-B	7201826N0001	3	
94	IC6, IC38	OR-Analog-BIPLIN	-B	42379701	2	
95	IC40	M62733ML-600C Analog-BIPLIN	-C	7204022N0002	1	
96	COMP, IC51	NJM2901M/UPC339G2 BIPLIN-IC	(SO)	720A0503N0007	2	
97	5VREG	78L05P BIPLIN-IC		720A1000M2005	1	
98	IC35	M62782GP-C60J Analog-BIPLIN	-C	7204022N0001	1	
99	IC7-IC10	MTD2005-4101 Analog-BIPLIN	-	7201816M0001	4	
100	ANLGMPX	CD4051BPWR Analog-MOSSWITCH	-B	7310050N0003	1	
101	SDRAM1	56V16160-10 MemoryIC-MOSSDRAM	-S	8020003N4616	1	
102	RAM1	628100LG-55L MemoryIC-MOSSRAM	-B	8040003N0603	1	

**K7N-PCB (Print Engine Controller PWB) C7300/C7100  
(41897401-10/13)**

REF. NO.	SYMBOL	TYPE/NAME	PART NO.	Q'TY	REMARKS
103	CPU	MSM66577-018TB CPU-MOS(ROM) -F	8530351N0004	1	
104	IC39	IMISM530AYBD-1 CPU-Interface -B	8550084N0002	1	
105					
106	EMI1, EMI2	ZJSC-R47-181 EMI FILTER	342A1012P1181	2	
107	EMI3, EMI4	SHORT WIRE(U TYPE) 0.65 P=5.0	5KH-31036-50	2	
108	FM1	PX713 PU FLASH	41960701	1	
109	DCON	UPD6545GD-241-LML Digital IC-MOS -F	7024923N1175	1	
110	MCON	UPD6594GD-173-LML Digital IC-MOS -F	7024923N1173	1	
111	DC1	ODC26-5S3V3 Analog-MOSDATA -	7320080M8001	1	
112					
113	TR1, TR2, TR501, TR502, TR505, TR507~TR513	2SA1338/2SB1198KT TR-PNP/H -C	6001003N0002	12	
114	TR506	2SB1690KT146 TR-PNP/H -C	6001035N0002	1	
115	Q502	2SA1520/RN2427 TR-PNP/H -C	6001103N0001	1	
116	TR3, TR5, TR8, TR11	2SB1123 PNP-LF-TR (CP)	601A1032N0002	4	
117	Q4~Q8, Q501, Q503, Q505, Q507~Q513, Q515~Q519, Q520, Q521	DTC123YK/YKAT146 TR-NPN/H -C	6021003N0004	20	
118	Q506	DTC124EKAT146 TR-NPN/H -C	6021035N0004	1	
119	TR12~TR14, TR503, TR504	2SC3361/2SC2412KVL NPN-HF-TR (CP)	602A1003N0002	5	



**K7N-PCB (Print Engine Controller PWB) C7300/C7100  
(41897401-11/13)**

REF. NO.	SYMBOL	TYPE/NAME	PART NO.	Q'TY	REMARKS
120	Q514	DTC114EKA NPN-HF-TR (CP)	602A1035N0005	1	
121	TR15, TR16	2SD1472 NPN-LF-TR (CP)	603A1121N0007	2	
122					
123	EEPROM	DICF-8CS-E Socket-IC	245A1221P0080	1	
124	SW1	SOR-113HS Switch-Pushbutton	205A1165P1000	1	
125	PARTTEMP	B10B-PHDSS Connector-PCB -	2243004P0100	1	
126	RSNS	B14B-PHDSS Connector-PCB -	2243004P0140	1	
127	DUPLEX, REG	B16B-PHDSS Connector-PCB -	2243004P0160	2	
128	TR10P	B22B-PHDSS Connector-PCB -	2243004P0220	1	
129	DCL	B2B-PH-K-R Connector-PCB -	2243500P0021	1	
130	RCL	B2B-PH-K-Y Connector-PCB -	2243500P0022	1	
131	FAN1	B3B-PH-K-R Connector-PCB -	2243500P0031	1	
132	FAN5	B3B-PH-K-Y Connector-PCB -	2243500P0032	1	
133	FAN7	B3B-PH-K-E Connector-PCB -	2243500P0033	1	
134	FAN4	B3B-PH-K-K Connector-PCB -	2243500P0034	1	
134	FAN8	B3B-XH-A-R Connector-PCB -	2243501P0031	1	
135	HOPFF	B8B-PH-K-Y Connector-PCB -	2243500P0082	1	

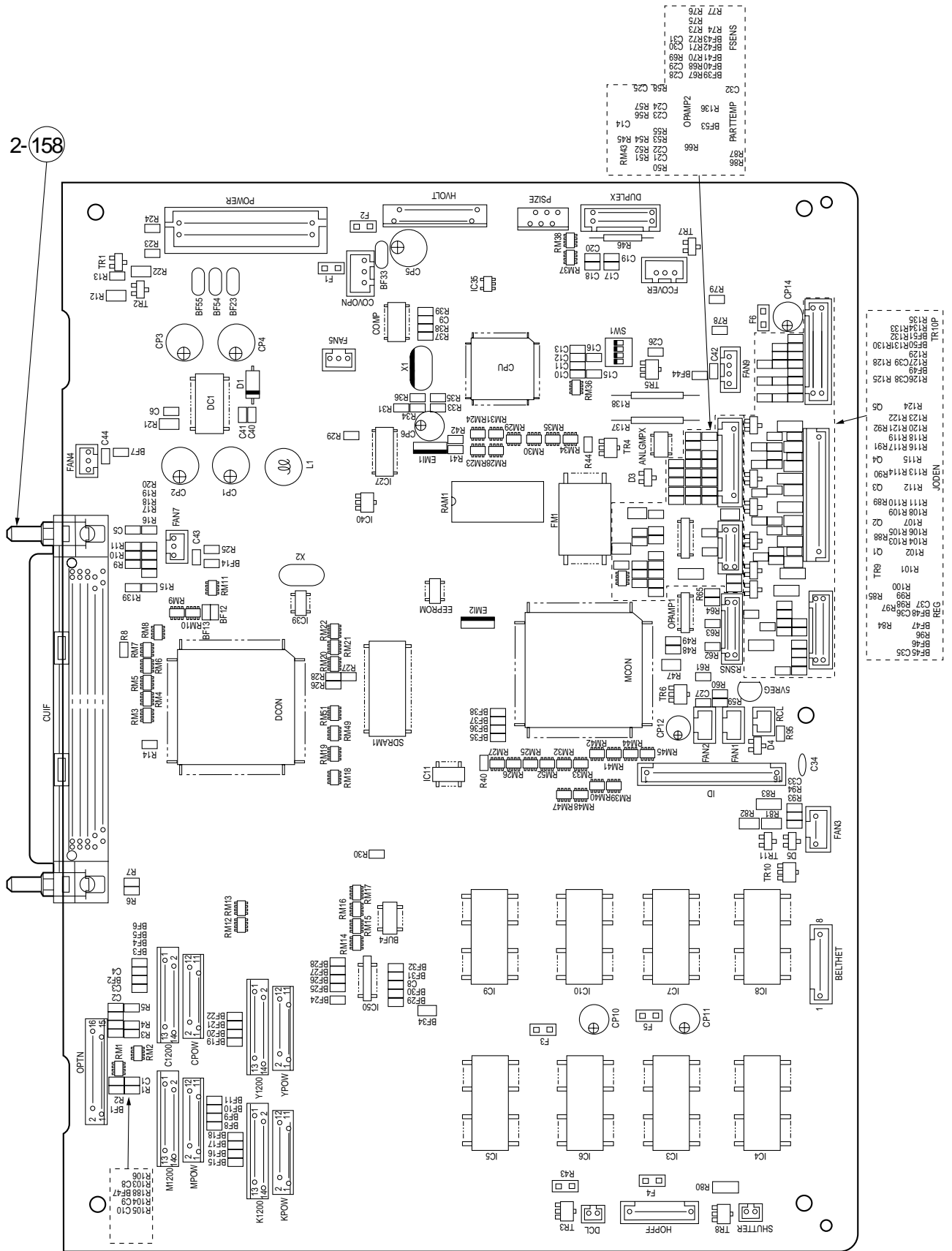
**K7N-PCB (Print Engine Controller PWB) C7300/C7100  
(41897401-12/13)**

REF. NO.	SYMBOL	TYPE/NAME	PART NO.	Q'TY	REMARKS
136	COVOPN	B3B-XH-A-Y Connector-PCB -	2243501P0032	1	
137	POWER	B26B-XADSS-N Connector-PCB -	2243504P0260	1	
138	JODEN	1-175487-4 Connector-PCB -	2244005P0140	1	
139	PSIZE	06FE-BT-VK-N Connector-PCB -	2244102P0060	1	
140	CPOW, KPOW, MPOW, YPOW	12FE-BT-VK-N Connector-PCB -	2244102P0120	4	
141	C1200, K1200, M1200, Y1200	14FE-BT-VK-N Connector-PCB -	2244102P0140	4	
142	HVOLT, OPTN	16FE-BT-VK-N Connector-PCB -	2244102P0160	2	
143	SHUTTER	B2B-PH-K-S Connector-PC	224A3529P0020	1	
144	FAN2	B3B-PH-K-S Connector-PC	224A3529P0030	1	
145	FEED	B4B-PH-K-S Connector-PC	224A3529P0040	1	
146	BELTHET	B8B-PH-K-S Connector-PC	224A3529P0080	1	
147	ID	B16B-PH-K-S Connector-PC	224A3529P0160	1	
148	FCOVER	B3B-XH-A Connector-PC	224A3530P0030	1	
149	FSENS	175487-9 Connector-PC	224A4322P0090	1	
150	CUIF	787913-2 Connector-PCB	2244017P2000	1	
151					
152	X1	CSTLA28M0X51-A0 OSC-Ceramic -P	3811004B0004	1	

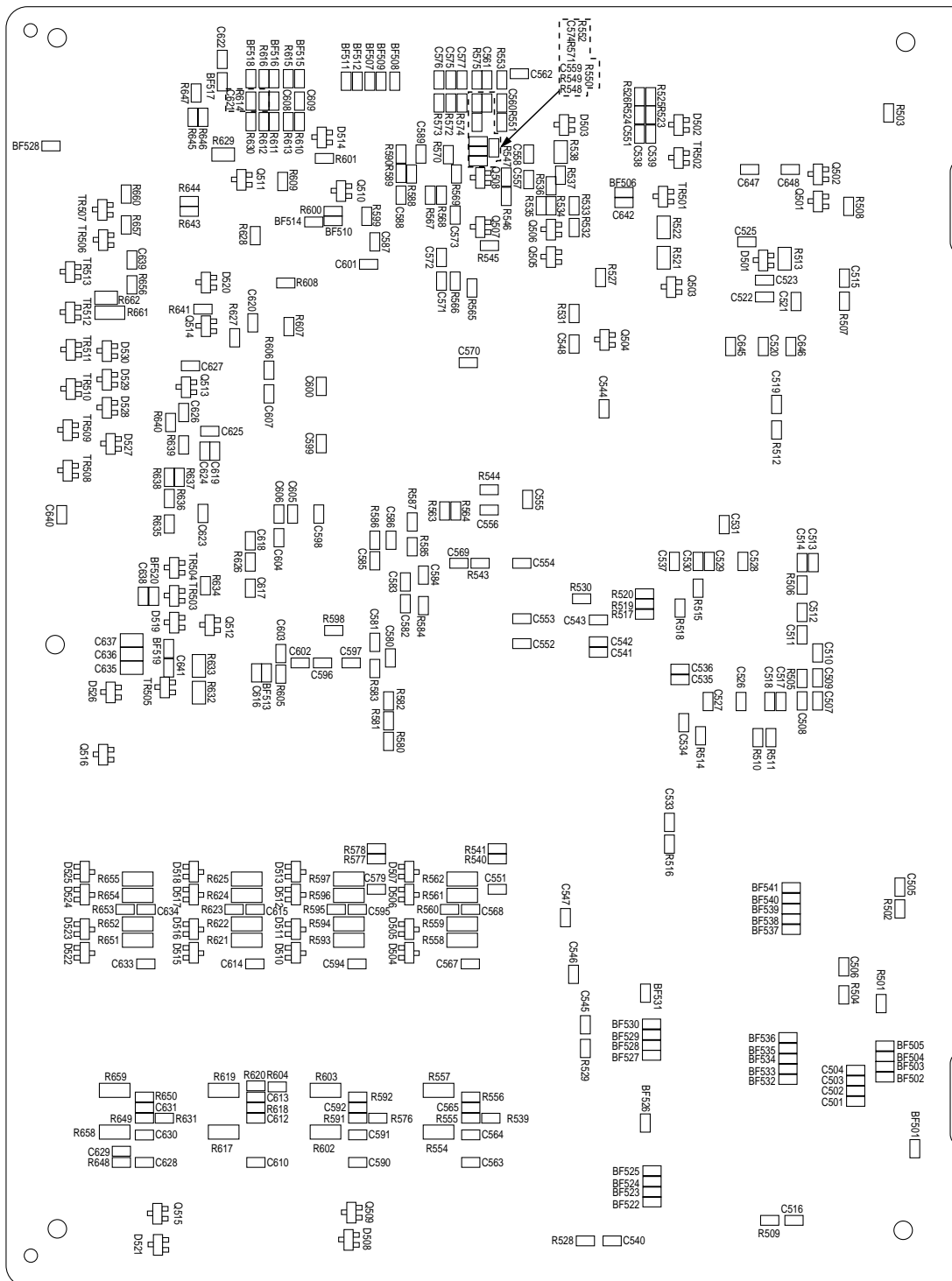
**K7N-PCB (Print Engine Controller PWB) C7300/C7100  
(41897401-13/13)**

REF. NO.	SYMBOL	TYPE/NAME	PART NO.	Q'TY	REMARKS
153	X2	CSTLS32M0X51-A0 OSC-Ceramic -P	3811007C0002	1	
154				1	
155	R203	BLM21PG220SN1D Core -C	1055000C0004	1	
156	BF1~BF7, BF37, BF501, BF512, BF514, BF515, BF522, BF524, BF526, BF528	BLM18PG300SN1D Core -C	1055001C0001	16	
157	BF8~BF10, BF12~BF16, BF92, BF93, BF502~ BF511, BF516~BF521, BF523, BF529~BF531	BLM18BD182SN1D Core -C	1055001C0002	30	
158	BF17~BF32	BLM18BB471SN1D Core -C	1055001C0003	16	
159	BF33, BF34, BF47, BF76~ BF91, R722~R726, R729	BLM18AG601SN1D Core -C	1055002C0001	25	
160	BF35, BF36	SA-8506185/ZBF253 Filter-PW line -N	3771003P0001	2	
161	BF38~BF46	MMZ1608Y152BT Filter-PW line -N	3775004P0011	9	
162	F1~F8	429-002WR FUSE -C	5402205S7202	8	
163	S1	SHORT WIRE (U TYPE) 0.65 P=2.5	5KH-31036-25	1	
164		OR-Postguide	42355601	2	

2-158



**K7V-PCB (Print Engine Controller PWB) C7300/C7100  
(42200301-1/13)**



**K7V-PCB (Print Engine Controller PWB) C7300/C7100  
(42200301-2/13)**

**K7V-PCB (Print Engine Controller PWB) C7300/C7100  
(42200301-3/13)**

REF. NO.	SYMBOL	TYPE/NAME	PART NO.	Q'TY	REMARKS
1	D1	D1FM3-4063 D-Signal -C	6110216N0001	1	
2	D504~D507, D510~D513, D515~D519, D522~D525	SB05-05CP OR-Rectifying DI (CP)	610A0332N0001	17	
3	D501	SS100MA80VACP D-Signal (CP)	611A0000N0001	1	
4	D3~D5, D502, D508, D520, D521, D526~D530	SS100MA80VKCP D-Signal (CP)	611A0000N0002	12	
5	D503, D514	RD20M-B D-Zener (CP)	613A0233M0252	2	
6					
7	R53, R539, R541, R576, R578, R604, R631, R634	CR/RK73H/ERJ/MCRF102 RES-MET RN -C	3235003F0102	8	
8	R103, R106, R108, R110, R117, R118, R121, R123	CR/RK73H/ERJ/MCRF104 RES-MET RN -C	3235003F0104	8	
9	R48, R54, R540, R555, R577, R591, R620, R649	CR/RK73H/ERJ/MCRF153 RES-MET RN -C	3235003F0153	8	
10	R556, R560, R592, R595, R618, R623, R650, R653	CR/RK73H/ERJ/MCRF183 RES-MET RN -C	3235003F0183	8	
11	R38, R550	CR/RK73H/ERJ/MCRF202 RES-MET RN -C	3235003F0202	2	
12	R73, R74, R76, R77	CR/RK73H/ERJ/MCRF203 RES-MET RN -C	3235003F0203	4	
13	R545, R548	CR/RK73H/ERJ/MCRF204 RES-MET RN -C	3235003F0204	2	
14	R546	CR/RK73H/ERJ/MCRF272 RES-MET RN -C	3235003F0272	1	
15	R88, R89, R91, R92, R105, R109, R119, R122	CR/RK73H/ERJ/MCRF273 RES-MET RN -C	3235003F0273	8	
16	R37, R50, R86, R549	CR/RK73H/ERJ/MCRF302 RES-MET RN -C	3235003F0302	4	
17	R547	CR/RK73H/ERJ/MCRF332 RES-MET RN -C	3235003F0332	1	

**K7V-PCB (Print Engine Controller PWB) C7300/C7100  
(42200301-4/13)**

REF. NO.	SYMBOL	TYPE/NAME	PART NO.	Q'TY	REMARKS
18	R39	CR/RK73H/ERJ/MCRF512 RES-MET RN -C	3235003F0512	1	
19	R85	CR/RK73H/ERJ/MCRF513 RES-MET RN -C	3235003F0513	1	
20	R20, R502, R504~R507, R509, R512, R516, R518, R528, R529, R543, R583, R584, R586, R605, R606, R626, R648, R656	CR/RK73K/ERJ/MCRJ100 RES-MET RN -C	3235003J0100	21	
21	R8, R10, R14~R19, R25, R129, R131, R132, R134, R135, R510, R511, R514, R532, R552, R553, R572~ R575, R610, R611, R614~ R616, R630	CR/RK73K/ERJ/MCRJ101 RES-MET RN -C	3235003J0101	30	
22	R2, R29, R44, R59, R94, R96, R68, R99, R524, R531, R563, R564, R580~ R582, R628, R641	CR/RK73K/ERJ/MCRJ102 RES-MET RN -C	3235003J0102	17	
23	R7, R9, R11, R30, R34, R36, R40, R41, R61, R63, R64, R75, R95, R125, R128, R515, R530, R536, R537, R544, R551, R566, R571, R585, R587, R589, R600, R609, R636~R638, R640	CR/RK73K/ERJ/MCRJ103 RES-MET RN -C	3235003J0103	32	
24	R114, R569, R588, R590, R608	CR/RK73K/ERJ/MCRJ104 RES-MET RN -C	3235003J0104	5	
25	R3~R5	CR/RK73K/ERJ/MCRJ121 RES-MET RN -C	3235003J0121	3	
26	R527	CR/RK73K/ERJ/MCRJ152 RES-MET RN -C	3235003J0152	1	
27	R126, R127, R523	CR/RK73K/ERJ/MCRJ201 RES-MET RN -C	3235003J0201	3	
28	R508, R534	CR/RK73K/ERJ/MCRJ202 RES-MET RN -C	3235003J0202	2	
29	R1, R67, R601	CR/RK73K/ERJ/MCRJ203 RES-MET RN -C	3235003J0203	3	

**K7V-PCB (Print Engine Controller PWB) C7300/C7100  
(42200301-5/13)**

REF. NO.	SYMBOL	TYPE/NAME	PART NO.	Q'TY	REMARKS
30	R647, R657, R660	CR/RK73K/ERJ/MCRJ242 RES-MET RN -C	3235003J0242	3	
31	R90, R607	CR/RK73K/ERJ/MCRJ273 RES-MET RN -C	3235003J0273	2	
32	R26-R28, R517, R519, R520, R565	CR/RK73K/ERJ/MCRJ300 RES-MET RN -C	3235003J0300	7	
33	R139, R643, R644	CR/RK73K/ERJ/MCRJ302 RES-MET RN -C	3235003J0302	3	
34	R45, R49, R55, R58, R65, R130, R133, R535, R570, R612, R613, R627, R635, R639	CR/RK73K/ERJ/MCRJ332 RES-MET RN -C	3235003J0332	14	
35	R533	CR/RK73K/ERJ/MCRJ472 RES-MET RN -C	3235003J0472	1	
36	R6, R23, R24, R31, R68~ R70, R72, R78, R501, R567, R568, R598, R645, R646	CR/RK73K/ERJ/MCRJ473 RES-MET RN -C	3235003J0473	15	
37	R13, R56, R60, R79, R93, R97, R100, R503, R525, R526, R599	CR/RK73K/ERJ/MCRJ512 RES-MET RN -C	3235003J0512	11	
38	R51, R52, R57, R62, R71, R87, R136	CR/RK73K/ERJ/MCRJ682 RES-MET RN -C	3235003J0682	7	
39	R33, R35, R42	CR/RK73K/ERJ/MCRJ750 RES-MET RN -C	3235003J0750	3	
40	R66, R84, R101	CR1/8 750 JV RES-MET RN -C	3235015J0750	3	
41	R558, R599, R561, R562, R593, R594, R596, R597, R621, R622, R624, R625, R651, R652, R654, R655	LCR1/8 R24 JV RES-MET RN -C	3235015J0248	16	
42	R602, R603	LCR1/8 R51 JV RES-MET RN -C	3235015J0518	2	
43	R43, R80, R83, R102, R107, R112, R115, R124, R661	CR1/8 103 JV RES-MET RN -C	3235015J0103	9	
44	R554, R557, R617, R619, R658, R659	CR1/8 1R0 JV RES-MET RN -C	3235015J0109	6	



**K7V-PCB Assy. (Print Engine Controller PWB) C7300/C7100  
(42200301-6/13)**

REF. NO.	SYMBOL	TYPE/NAME	PART NO.	Q'TY	REMARKS
45	R12, R22, R81, R82, R521, R632, R633	RM73B2A103J RES RN (CP)	323A5003J0103	8	
46	R21	RM73B2A104J RES RN (CP)	323A5003J0104	1	
47	R47	RM73B2A202J RES RN (CP)	323A5003J0202	1	
48	R538	RM73B2A203J RES RN (CP)	323A5003J0203	1	
49	R629	RM73B2A303J RES RN (CP)	323A5003J0303	1	
50	R104, R111, R113, R116, R120, R662	RM73B2A513J RES RN (CP)	323A5003J0513	6	
51	R513	2125JPW RES-MET RN (CP)	323A5003P0001	1	
52	R137, R138	RSS2T52A-100ohmJ RES-MET OX -Q	3241024J0101	1	
53	R46	RNS1-1ohmJ RES RS	324A1012J0109	1	
54	BF526, BF531, BF533, BF538	CR/RK73Z/ERJ/MCRJ-0V RES-Zero ohm -C	3255003P0001	4	
55					
56	RM3~RM11, RM24, RM29~RM31, RM34~ RM36	CN1J/EXB/BCN100ohmJ RES-Block -C	3345003J0101	16	
57	RM2, RM12, RM13, RM15, RM16, RM25, RM26, RM32, RM33, RM38, RM41~RM45	CN1J/EXB/BCN1KohmJ RES-Block -C	3345003J0102	15	
58	RM27	CN1J/EXB/BCN10KohmJ RES-Block -C	3345003J0103	1	
59	RM14, RM17, RM20~ RM22	CN1J/EXB/BCN33ohmJ RES-Block -C	3345003J0330	5	
60	RM18, RM19, RM49, RM51	CN1J/EXB/BCN47ohmJ RES-Block -C	3345003J0470	4	

**K7V-PCB (Print Engine Controller PWB) C7300/C7100  
(42200301-7/13)**

REF. NO.	SYMBOL	TYPE/NAME	PART NO.	Q'TY	REMARKS
61	RM1, RM37	CN1J/EXB/BCN47KohmJ RES-Block -C	3345003J0473	2	
62	RM23, RM28, RM39, RM40, RM47, RM48	CN1J/EXB/BCN5.1KohmJ RES-Block -C	3345003J0512	6	
63					
64	C34	HKZ5V4B/TCK45F2E103 CAP-Ceramic -P	3024003Z5103	1	
65	C2-C4, C556, C560, C561, C574-C577	GRM/UMK/MCH/391CH CAP-Ceramic -C	3033003C0391	10	
66	C1, C11, C17-C20, C27- C31, C33, C35, C36, C38, C38, C39, C501-C504, C538, C608, C609, C621	GRM/UMK/MCH/680CH CAP-Ceramic -C	3033003C0680	24	
67	C5, C6, C9, C505, C506, C508, C512, C515, C516, C519, C533, C540, C545, C546, C558, C559, C569, C581, C584, C585, C603, C607, C618, C627, C629, C639	GRM/UMK/MCH/102B 50V CAP-Ceramic -C	3036003K0102	26	
68	C521, C531, C562, C571, C606	GRM/UMK/MCH/103B 50V CAP-Ceramic -C	3036003K0103	5	
69	C24, C626	GRM/ TMK/ MCH/ 223B 25V CAP-Ceramic -C	3036003K0223	2	
70	C23, C565, C568, C592, C595, C613, C615, C631, C634	GRM/UMK/MCH/332B 50V CAP-Ceramic -C	3036003K0332	9	
71	C551, C564, C579, C591, C615, C612, C630	GRM/TMK/MCH/473B 25V CAP-Ceramic -C	3036003K0473	6	

**K7V-PCB (Print Engine Controller PWB) C7300/C7100  
(42200301-8/13)**

REF. NO.	SYMBOL	TYPE/NAME	PART NO.	Q'TY	REMARKS
72	C8, C10, C12, C13, C15, C16, C26, C37, C42-C44, C507, C509-C511, C513, C514, C517, C518, C520, C523, C525-C530, C534-C537, C539, C541-C544, C547, C548, C552-C555, C557, C563, C567, C570, C572, C573, C580, C582, C583, C586-C590, C594, C596-C602, C604, C605, C610, C614, C616, C617, C619, C620, C622-C625, C628, C633, C638, C640, C641, C642, C645-C648	GRM/ TMK/ MCH/ 104Z 25V CAP-Ceramic -C	3036003Z0104	86	
73	C21, C22, C522	GRM/LMK/MCH/105Z 10V CAP-Ceramic -C	3036003Z0105	3	
74	C40, C41	EMK107F474ZA-T 16V CAP-Ceramic -C	3036005Z0474	2	
75	C25, C32	CK2012B1E473K 25V CAP-CK (CP)	303A6008K2473	2	
76	C14	CK2012B1H332K 50V CAP-CK (CP)	303A6008K3332	1	
77	C635-C637	CK2012F1H104Z 50V CAP-CK (CP)	303A6008Z3104	3	
78					
79	CP1, CP2	6.3ZL1200M10X16 6.3V CAP-Alum -	3041027J0122	2	
80	CP3, CP4	10ZL680M10X12.5 10V CAP-Alum -	3041027A1681	2	
81	CP6	KMG25VB-100M-FC 25V CAP-CE 100 $\mu$ F	304A1180E1101	1	
82	CP12	KMG25VB-47M-FC 25V CAP-CE 47 $\mu$ F	304A1180E1470	1	
83	CP5	KMG50VB-100M-FC 50V CAP-CE 100 $\mu$ F	304A1180H1101	1	
84	CP10, CP11, CP14	KMG50VB-47M-FC 50V CAP-CE 47 $\mu$ F	304A1180H1470	3	

**K7V-PCB (Print Engine Controller PWB) C7300/C7100  
(42200301-9/13)**

REF. NO.	SYMBOL	TYPE/NAME	PART NO.	Q'TY	REMARKS
85					
86	IC27	74LS07FP Digital IC-BIP (SO)	700A0503N0007	1	
87	BUF4, IC11	74AHCT245PW/PWR Digital IC-MOS -B	7022903N3245	2	
88	MCON	UPD65946GD-137-LML Digital IC-MOS -F	7024923N1173	1	
89	DCON	UPD65454GD-137-LML Digital IC-MOS -F	7024923N1175	1	
90	IC50	DS90LV031ATMX Interface IC-MOS -S	7123053N0004	1	
91	OPAMP1, OPAMP2	LMV324IDR Analog-BIPLIN -B	7200050N0001	2	
92	IC3-IC10	MTD2007F-4072 Analog-BIPLIN -B	7201816N0001	8	
93	IC35	M62782GP-C60J Analog-BIPLIN -C	7204022N0001	1	
94	IC40	M62733ML-600C Analog-BIPLIN -C	7204022N0002	1	
95	COMP	NJM2901M/UPC339G2 Analog-BIPLIN (SO)	720A0503N0007	1	
96	5VREG	78L05P BIPLIN-IC	720A1000M2005	1	
97	ANLGMPX	CD4051BPWR Analog-MOS switch -B	7310050N0003	1	
98	DC1	MD3222N-4072 Analog-MOS data -B	7320816N0001	1	
99	SDRAM1	56V16160-10 MemoryIC-MOSDRAM -S	8020003N4616	1	
100	RAM1	628100LG-55L MemoryIC-MOSSRAM -B	8040003N0603	1	
101	EEPROM	M93C66-WMN6T MemoryIC-MOSEEPR -B	8162335N0000	1	

**K7V-PCB (Print Engine Controller PWB) C7300/C7100  
(42200301-10/13)**

REF. NO.	SYMBOL	TYPE/NAME	PART NO.	Q'TY	REMARKS
102	CPU	MSM66577-018TB CPU-MOS(ROM) -F	8530351N0004	1	
103	IC39	HD151TS302RPEL CPU-Interface -B	8550021N0001	1	
104	FM1	FLASH ROM-PX711 PU	42466801	1	
105					
106	EMI1, EMI2	ZJSC-R47-181 EMI FILTER	342A1012P1181	2	
107	TR7, TR11, TR501, TR502, TR505, TR506, TR508-TR513	2SA1338/2SB1198KT TR-PNP/H -C	6001003N0002	12	
108	TR507	2SB1690KT146 TR-PNP/H -C	6001035N0002	1	
109	Q502	2SA1520/RN2427 TR-PNP/H -C	6001103N0001	1	
110	TR3, TR6, TR8, TR10	2SB1123 PNP-LF-TR (CP)	601A1032N0002	4	
111	Q1-Q5, Q501, Q503, Q504, Q506-Q510, Q512-Q516	DTC123YK/YKAT146 TR-NPN/H -C	6021003N0004	18	
112	Q505	DTC124EKAT146 TR-NPN/H -C	6021035N0004	1	
113	TR1, TR2, TR9, TR503, TR504	2SC3361/2SC2412KVL NPN-HF-TR (CP)	602A1003N0002	5	
114	Q511	DTC114EKA NPN-HF-TR (CP)	602A1035N0005	1	
115	TR4, TR5	2SD1472 NPN-LF-TR (CP)	603A1121N0007	2	
116					
117	SW1	SOR-113HS Switch-Pushbutton	205A1165P1000	1	
118	PARTTEMP	B10B-PHDSS Connector-PCB -	2243004P0100	1	

**K7V-PCB (Print Engine Controller PWB) C7300/C7100  
(42200301-11/13)**

REF. NO.	SYMBOL	TYPE/NAME	PART NO.	Q'TY	REMARKS
119	RSNS	B14B-PHDSS Connector-PCB -	2243004P0140	1	
120	DUPLEX, REG	B16B-PHDSS Connector-PCB -	2243004P0160	2	
121	TR10P	B22B-PHDSS Connector-PCB -	2243004P0220	1	
122	DCL	B2B-PH-K-R Connector-PCB -	2243500P0021	1	
123	RCL	B2B-PH-K-Y Connector-PCB -	2243500P0022	1	
124	FAN1	B3B-PH-K-R Connector-PCB -	2243500P0031	1	
125	FAN5	B3B-PH-K-Y Connector-PCB -	2243500P0032	1	
126	FAN7	B3B-PH-K-E Connector-PCB -	2243500P0033	1	
127	FAN4	B3B-PH-K-K Connector-PCB -	2243500P0034	1	
128	HOPFF	B8B-PH-K-Y Connector-PCB -	2243500P0082	1	
129	FAN3	B3B-XH-A-R Connector-PCB -	2243500P0031	1	
130	COVOPN	B3B-XH-A-Y Connector-PCB -	2243501P0032	1	
131	POWER	B26B-XADSS-N Connector-PCB -	2243504P0260	1	
132	JODEN	1-175487-4 Connector-PCB -	2244005P0140	1	
133	CUIF	787913-2 Connector-PCB -	2244017P2000	1	
134	PSIZE	06FE-BT-VK-N Connector-PCB -	2244102P0060	1	
134	CPOW, KPOW, MPOW, YPOW	12FE-BT-VK-N Connector-PCB -	2244102P0120	4	

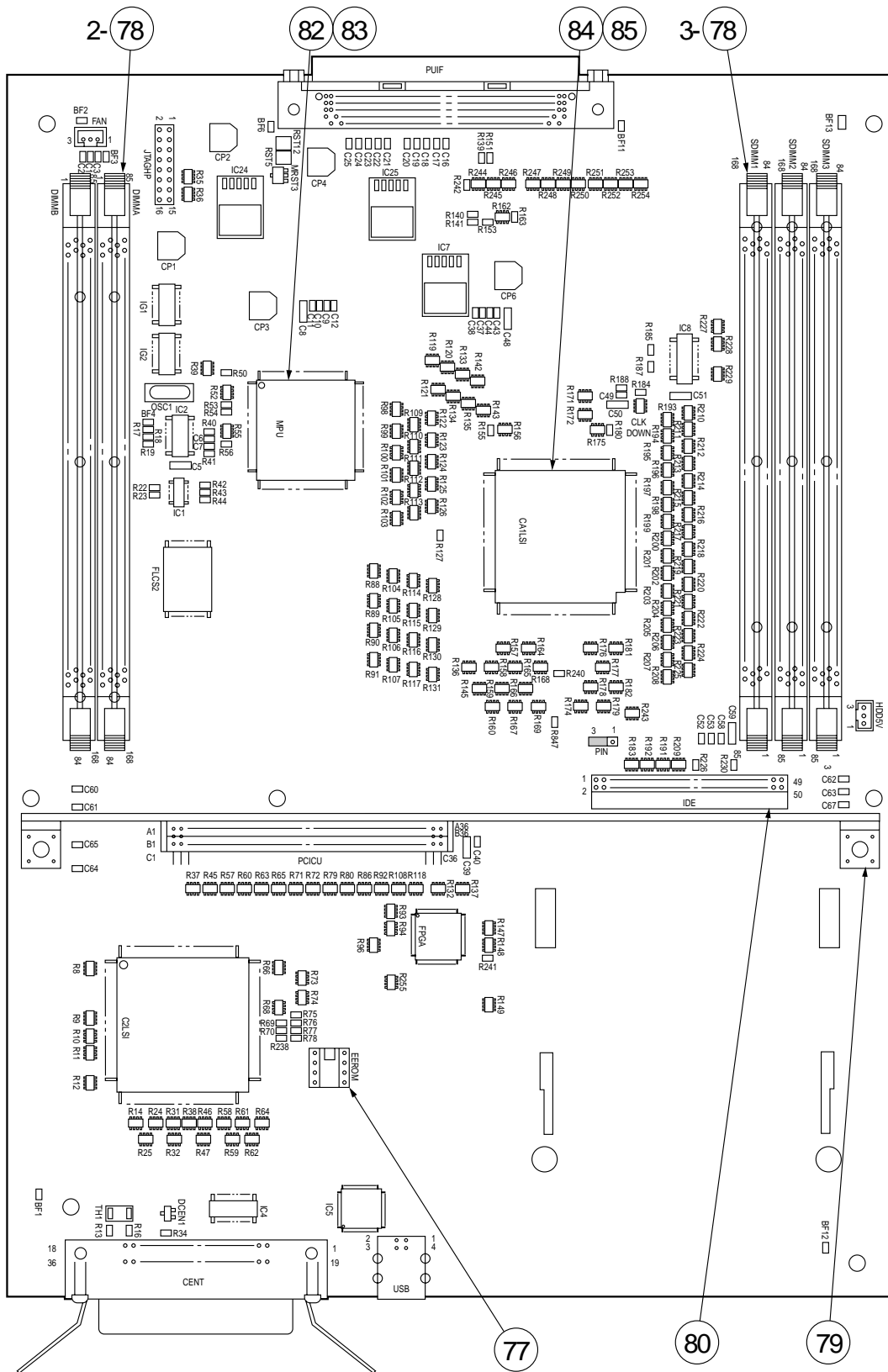
**K7V-PCB (Print Engine Controller PWB) C7300/C7100  
(42200301-12/13)**

REF. NO.	SYMBOL	TYPE/NAME	PART NO.	Q'TY	REMARKS
135	C1200, K1200, M1200, Y1200	14FE-BT-VK-N Connector-PCB -	2244102P0140	4	
136	HVOLT, OPTN	16FE-BT-VK-N Connector-PCB -	2244102P0160	2	
137	SHUTTER	B2B-PH-K-S Connector-PC	224A3529P0020	1	
138	FAN2	B3B-PH-K-S Connector-PC	224A3529P0030	1	
139	FAN9	B4B-PH-K-S Connector-PC	224A3529P0040	1	
140	BELTHET	B8B-PH-K-S Connector-PC	224A3529P0080	1	
141	ID	B16B-PH-K-S Connector-PC	224A3529P0160	1	
142	FCOVER	B3B-XH-A Connector-PC	224A3530P0030	1	
143	FSENS	175487-9 Connector-PC	224A4322P0090	1	
144					
145	X1	CSTLA28M0X51-A0 OSC-Ceramic -P	3811004B0004	1	
146	X2	CSTLS48M0X51-A0 OSC-Ceramic -P	3811006C0003	1	
147				1	
148	BF34	BLM21PG220SN1D Core -C	1055000C0004	1	
149	BF7, BF13, BF14, BF42, BF44, BF46, BF47, BF49, BF53, BF508, BF517, BF519~BF521	BLM18PG300SN1D Core -C	1055001C0001	16	
150	BF1, BF39~BF41, BF43, BF45, BF48, BF50, BF51, BF502~BF505, BF507, BF509~BF512, BF514~BF516, BF518	BLM18BD182SN1D Core -C	1055001C0002	22	

**K7V-PCB (Print Engine Controller PWB) C7300/C7100  
(42200301-13/13)**

REF. NO.	SYMBOL	TYPE/NAME	PART NO.	Q'TY	REMARKS
151	BF3~BF6, BF8~BF11, BF15~R22	BLM18AG471SN1D Core -C	1055001C0003	16	
152	BF2, BF12, BF35~BF38, BF52, BF513, BF522~ BF525, BF527~BF530, BF532, BF534~BF537, BF539~BF541	BLM18AG601SN1D Core -C	1055002C0001	24	
153	BF23, BF33, BF54, BF55	SA-8506185/ZBF253 Filter-PW line -N	3771003P0001	4	
154	BF24~BF32	MMZ1608Y152BT Filter-PW line -N	3775004P0011	9	
155	L1	SBC4-3R3-642 Coil-Chork/PW -	3502005P0339	1	
156					
157	F1~F8	429-002WR FUSE -C	5402205S7202	6	
158		OR-Postguide	42355601	2	





**TIG-PCB (Main Controller PWB)**  
**(41850102-1/9)**



TIG-PCB (Main Controller PWB)  
(41850102-2/9)

**TIG-PCB (Main Controller PWB)  
(41850102-3/9)**

REF. NO.	SYMBOL	TYPE/NAME	PART NO.	Q'TY	REMARKS
1	DCEN1	SB05-05CP D-Rectifying -C	610A0332N0001	1	
2					
3	R828	CR/RK73H/ERJ/MCRF105 RES-MET RN -C	3235003F0101	1	
4	R534, R551, R582, R583, RB75	CR/RK73H/ERJ/MCRF202 RES-MET RN -C	3235003F0202	5	
5	R874	CR/RK73H/ERJ/MCRF330 RES-MET RN -C	3235003F0330	1	
6	R535	CR/RK73H/ERJ/MCRF332 RES-MET RN -C	3235003F0332	1	
7	R552	CR/RK73H/ERJ/MCRF911 RES-MET RN -C	3235003F0911	1	
8	R550, R595, R854~ R871	CR/RK73K/ERJ/MCRJ100 RES-MET RN -C	3235003J0100	20	
9	R54, R509, R566, R569	CR/RK73K/ERJ/MCRJ102 RES-MET RN -C	3235003J0102	4	
10	R18, R56, R184, R574, R593, R608, R609, R876, R879	CR/RK73K/ERJ/MCRJ103 RES-MET RN -C	3235003J0103	9	
11	R575	CR/RK73K/ERJ/MCRJ151 RES-MET RN -C	3235003J0151	1	
12	R561	CR/RK73K/ERJ/MCRJ152 RES-MET RN -C	3235003J0152	1	
13	R536, R573, R590	CR/RK73K/ERJ/MCRJ201 RES-MET RN -C	3235003J0201	3	
14	RA2E	CR/RK73K/ERJ/MCRJ203 RES-MET RN -C	3235003J0203	1	
15	R17, R19, R22, R23, R42~ R44, R127, R180, R187, R241, R242, R514, R518, R539, R540, R547~ R549, R572, R587, R591, R592, R832, R833, R840, R841, R851, R853	CR/RK73K/ERJ/MCRJ330 RES-MET RN -C	3235003J0330	29	

**TIG-PCB (Main Controller PWB)  
(41850102-4/9)**

REF. NO.	SYMBOL	TYPE/NAME	PART NO.	Q'TY	REMARKS
16	R16, R34, R526, R570	CR/RK73K/ERJ/MCRJ332 RES-MET RN -C	3235003J0332	4	
17	R516, R517, R530, R835, R850	CR/RK73K/ERJ/MCRJ472 RES-MET RN -C	3235003J0472	5	
18	R141, R153, R226, R230, R524, R525	CR/RK73K/ERJ/MCRJ510 RES-MET RN -C	3235003J0510	6	
19	R139, R140, R151, R163, R567, R586	CR/RK73K/ERJ/MCRJ680 RES-MET RN -C	3235003J0680	6	
20	12VR3, 12VR4	RM73B2B132F RES-MET RN -C	323A5015F0132	2	
21	R568, R571	RM73B2B220J RES-MET RN -C	323A5015J0220	2	
22	12VR1, 12VR2	RM73B2B821F RES-MET RN -C	323A5015F0821	2	
23	RB76	RM73B2H510J RES-MET RN -C	323A5030J0510	1	
24	CKMD501, CKMD502, CKMD503, R13, R40, R41, R50, R53, R69, R70, R75 -R78, R155, R185, R188, R238, R240, R503, R504, R512, R513, R520, R527, R529, R532, R542, R581, R588, R589, R610, R628, R830, R842, R846, R847, R849	CR/RK73Z/ERJ/MCRJ-0V RES-Zero ohm -C	3255003P0001	38	
25	R88~R91, R94, R96, R98~ R107, R109~R117, R122~ R126, R128~R132, R145, R148, R156, R175, R195, R196, R201~R208, R218~ R225	MNR14E0ABJ330 RES-Block -C	3345000J0330	57	
26	R193, R197~R200, R210, R213~R217, R244~R254	CN1J/EXB/BCN10ohmJ RES-Block -C	3345003J0100	22	
27	CLKDOWN	CN1J/EXB/BCN1KohmJ RES-Block -C	3345003J0102	1	

**TIG-PCB (Main Controller PWB)  
(41850102-5/9)**

REF. NO.	SYMBOL	TYPE/NAME	PART NO.	Q'TY	REMARKS
28	R32, R35, R36, R39, R47, R52, R68, R119-R121, R133-R135, R142, R143, R157, R158, R164, R165, R168, R171, R172, R174, R176, R177, R181, R183, R191, R192, R209, R243	CN1J/EXB/BCN10KohmJ RES-Block -C	3345003J0103	31	
29	R194, R221, R212, R255	CN1J/EXB/BCN22ohmJ RES-Block -C	3345003J0220	4	
30	R11, R14, R24, R25, R31, R46, R58, R59, R61-R65, R72, R80, R86, R108, R136, R162	CN1J/EXB/BCN47ohmJ RES-Block -C	3345003J0470	19	
31	R8-R10, R12, R38, R55, R66, R73, R74, R137, R149	CN1J/EXB/BCN5.1KohmJ RES-Block -C	3345003J0512	11	
32	R37, R45, R57, R60, R71, R79, R92, R93, R118, R147, R159, R160, R166, R167, R169, R178, R179, R182	CN1J/EXB/BCN68ohmJ RES-Block -C	3345003J0680	18	
33	R227~R229	CN1J/EXB/BCN0ohmJ RES-Block -C	3345003P0001	3	
34					
35	C17, C22, C502, C535, C536, C576, C618	GRM/UMK/MCH/101CH CAP-Ceramic -C	3033003C0101	7	
36	C3, C12, C16, C21, C38, C40, C52, C504, C514, C534, C542, C563, C574, C578, C591, C596, C600, C605, C607, C614, C615, C619, C623, C627, C641, C642, C663, C672, C675, C682, C684, C685, C688~C690, C693, C698, C704, C713, C714, C722, C724, C726~C728, C734, C736, C740, C749, C763	GRM/UMK/MCH/221CH CAP-Ceramic -C	3033003C0221	50	
37	C598	GRM/UMK/MCH/391CH CAP-Ceramic -C	3033003C0391	1	

**TIG-PCB (Main Controller PWB)  
(41850102-6/9)**

REF. NO.	SYMBOL	TYPE/NAME	PART NO.	Q'TY	REMARKS
38	C9, C18, C23, C37, C49, C60-C65, C67, C507, C510, C512, C528, C531, C541, C544, C548, C564, C568, C573, C575, C580, C586, C590, C603, C606, C617, C622, C630, C640, C650, C661, C671, C673, C681, C686, C700, C705, C716, C717, C738, C748, C753, C759, C767, BF1, BF2, BF6, BF11-BF13	GRM/UMK/MCH/102B 50V CAP-Ceramic -C	3036003K0102	54	
39	C1, C10, C19, C24, C44, C53, C508, C513, C515, C520, C526, C527, C529, C547, C554, C558, C565, C569, C572, C589, C592, C599, C602, C610, C613, C620, C624, C628, C632-C634, C639, C643, C649, C653, C664, C666, C670, C679, C680, C683, C687, C691, C695, C696, C701, C707, C708, C710, C721, C725, C737, C741, C747, C750, C755, C758, C762, C764	GRM/UMK/MCH/103B 50V CAP-Ceramic -C	3036003K0103	59	
40	C2, C523, C524, C549, C556, C570, C756, C761	GRM/ LMK/ MCH/ 105Z 10V CAP-Ceramic -C	3036003Z0105	8	
41	C6, C7, C11, C20, C25, C43, C58, C522, C525, C530, C533, C537, C540, C543, C546, C550, C555, C557, C559, C566, C577, C579, C587, C588, C594, C595, C601, C604, C608, C609, C621, C625, C631, C635, C638, C646, C648, C651, C652, C655, C656, C665, C669, C678, C694, C697, C702, C703, C706, C709, C711, C715, C718-C720, C723, C729, C730, C732, C733, C735, C739, C751, C757, C760	GRM/TMK/MCH/104Z 25V CAP-Ceramic -C	3036003Z0104	65	

**TIG-PCB (Main Controller PWB)  
(41850102-7/9)**

REF. NO.	SYMBOL	TYPE/NAME	PART NO.	Q'TY	REMARKS
42	C5, C8, C39, C48, C50, C51, C59, C539, C567, C581, C593, C611, C612, C626, C637, C654, C662, C677	GRM31/CM316-106 10V CAP-Ceramic -B	3036203Z0106	18	
43	CP3, CP4	PXA4VC150MF60 4V CAP-Alum(CE) -B	3047001G0151	2	
44					
45	IG2	74LVC04NST/FP Digital IC-MOS -S	7022203N3004	1	
46	IC4	SN74LVC161284DGGR Digital IC-MOS -S	7022350N1284	1	
47	IG1	SN74LV08ANSR Digital IC-MOS -S	7022450N3008	1	
48	CA1LSI	UPD85611N7-011-H9 Digital IC-MOS -F	7024923N1171	1	
49	C2LSI	TC220G64TB-7002 Digital IC-MOS -F	7024925N0013	1	
50	IC7, IC24	PQ05VY3H3ZP Analog-BIPLIN -B	7201035N0002	2	
51	IC25	PQ05VY053ZP Analog-BIPLIN -B	7201035N0003	1	
52	RST5, RST12	PST596CNR Analog-BIPLIN -C	7204037N0003	2	
53	EEROM	DICF-8CS-E Socket-SEMICON -	245A1221P0080	1	
54	FLCS2	LH28F320BFE-PTTLT1 Memory-MOSEEPR -S	8165625N0000	1	
55	FPGA	LSI2064VE-200LT100 Memory-PLA -F	8181300N0001	1	
56	MPU	IBM25PPC750CXEJP7013 CPU-MOS -F	8510542N0011	1	
57	IC5	ML60851DGA CPU-Interface -F	8550024N0002	1	

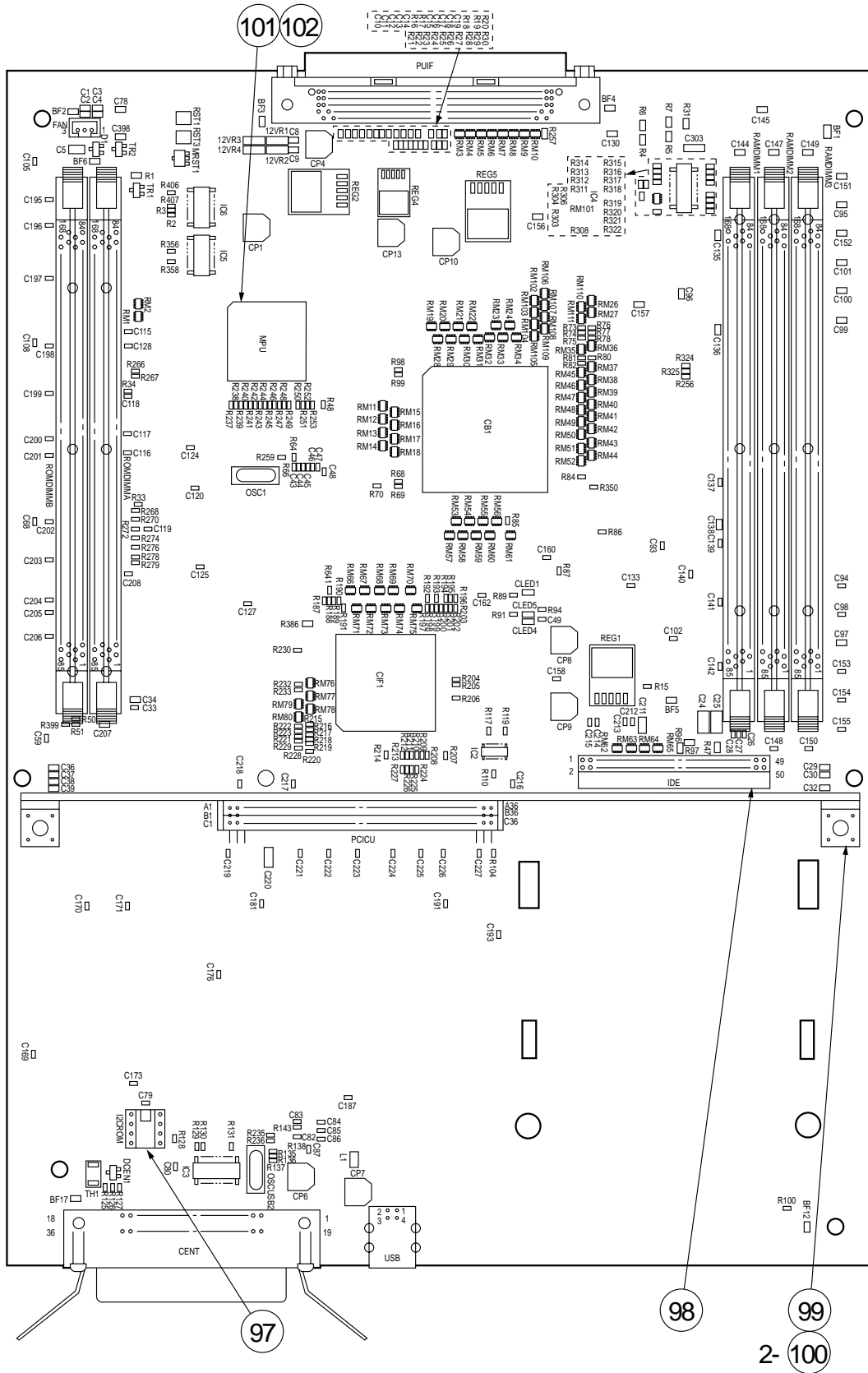
**TIG-PCB (Main Controller PWB)  
(41850102-8/9)**

REF. NO.	SYMBOL	TYPE/NAME	PART NO.	Q'TY	REMARKS
58	IC8	PI6C2516AX CPU-Interface -B	8550089N0002	1	
59	IC2	PLL702-01XC-R CPU-Interface -B	8550090N0001	1	
60	IC1	PLL102-05SC-R CPU-Interface -B	8550090N0002	1	
61					
62	TR502	2SA1338/2SB1198KT TR-PNP/H FREQ -C	6001003N0002	1	
63	Q501	A1344/UN2111/DTA114K TR-PNP/H FREQ -C	600A1003N0003	1	
64	TR501	DTC123YK/YKAT146 TR-NPN/H-FREQ -C	6021003N0004	1	
65	CENT	57RE-40360-830B-D29 Connector-SQR -	2201001P0360	1	
66	IDE	A3-50DA/IMSA-9259S Connector-PCB -	2241003P0500	1	
67	USB	317A-04PSB0001 (K) Connector-PCB -	2243031P0040	1	
68	PUIF	1658163-1 Connector-PCB -	2244019P2000	1	
69	FAN, HDD5V	B3B-PH-K-S Connector-PCB -	224A3529P0030	2	
70	JTAGHP	IMSA9202B-2-16Z013GF Connector-PCB -	224A4083P0160	1	
71	OSC1	HC-49/U03C-14.318MHz OSC-Crystal -C	3801001B0006	1	
72	BF3, BF4, BF501-BF505, BF507	BLM18PG300SN1D Core- -C	1055001C0001	8	
73	TH1	miniSMDC100-02 FUSE -C	5400500L0102	1	
74	CP1, CP2, CP6	MVY16VC/CECBT-101M CAP-Alum (CE) -C	3047003C1101	3	



**TIG-PCB (Main Controller PWB)  
(41850102-9/9)**

REF. NO.	SYMBOL	TYPE/NAME	PART NO.	Q'TY	REMARKS
75	MRST3	M62733ML-600C Analog-BIPLIN -C	7204022N0002	1	
76					
77		M93C86-WBN6 Memory-MOSEEPR -	8164323M0000	1	
78		A-67093-2200 Socket-SEMICON -	2451005P1680	5	
79		PCB Assy.-TNR	40991203	1	
80		Spacer	41287101	1	
81		FILLISTER HEAD SCREW	4LB-181100-2	2	
82		16PC26/OSH-1627 Heat sink- -	1611003P0001	1	
83		Plate-Tension (A)	41744901	1	
84		OSH-2043-L43.2-T Heat sink- -	1611006P0002	1	
85		Plate-Tension (B)	42212401	1	
86	PIN	IMSA9202B-1-03Z013GF Connector-PCB -	224A4082P0030	1	



HMF-PCB (Main Controller PWB-VE)  
(42435201-1/11)



**HMF-PCB (Main Controller PWB-VE)  
(42435201-3/11)**

REF. NO.	SYMBOL	TYPE/NAME	PART NO.	Q'TY	REMARKS
1	DCEN1	SB05-05CP D-Rectifying -C	610A0332N0001	1	
2	D1	SS100MA80VSCP D-Signal -C	611A0000N0003	1	
3					
4	R1	CR/RK73K/ERJ/MCRJ751 RES-MET RN -C	3235003J0751	1	
5	R398, R555, R568, R571~R573	CR1/16S-202FV RES-MET RN -C	3237000F0202	6	
6	R66	CR1/16S-221FV RES-MET RN -C	3237000F0221	1	
7	R236	CR1/16S-331FV RES-MET RN -C	3237000F0331	1	
8	R556	CR1/16S-332FV RES-MET RN -C	3237000F0332	1	
9	R730, R731	CR1/16S-360FV RES-MET RN -C	3237000F0360	2	
10	R567	CR1/16S-361FV RES-MET RN -C	3237000F0361	1	
11	R574	CR1/16S-431FV RES-MET RN -C	3237000F0431	1	
12	R733	CR1/16S-912FV RES-MET RN -C	3237000F0912	1	
13	R18, R20~R30, R48, R70, R80~R82, R570, R603, R902~R906	CR1/16S-100JV RES-MET RN -C	3237000J0100	24	
14	R646, R889	CR1/16S-101JV RES-MET RN -C	3237000J0101	2	
15	R187, R188, R204, R205, R266, R267, R406, R501, R503, R506, R525, R527, R528, R531, R532, R537, R539, R593, R642, R652, R653, R657, R658, R853~ R859, R866~R868, R881	CR1/16S-102JV RES-MET RN -C	3237000J0102	34	

**HMF-PCB (Main Controller PWB-VE)  
(42435201-4/11)**

REF. NO.	SYMBOL	TYPE/NAME	PART NO.	Q'TY	REMARKS
16	R2, R16, R68, R104, R128, R237~R239, R241, R243~R245, R247~R253, R308, R509~R524, R540~ R546, R590, R591, R640, R641, R645, R648, R654, R659~R662, R755, R860, R873~R878, R884, R907	CR1/16S-103JV RES-MET RN        -C	3237000J0103	64	
17	R732	CR1/16S-152JV RES-MET RN        -C	3237000J0152	1	
18	R15, R17, R89, R91, R94, R257	CR1/16S-201JV RES-MET RN        -C	3237000J0201	6	
19	R64	CR1/16S-203JV RES-MET RN        -C	3237000J0203	1	
20	R73~R78, R85, R207~ R214, R224~R227, R740, R743, R761~R765, R879	CR1/16S-220JV RES-MET RN        -C	3237000J0220	27	
21	R192	CR1/16S-272JV RES-MET RN        -C	3237000J0272	1	
22	R84, R87, R98, R99, R110, R117, R119, R129~ R131, R259, R303, R306, R407, R728, R759, R760, R766, R767, R769, R770, R872, R899	CR1/16S-330JV RES-MET RN        -C	3237000J0330	23	
23	R126, R127	CR1/16S-332JV RES-MET RN        -C	3237000J0332	2	
24	R189, R215~R223, R228, R229	CR1/16S-470JV RES-MET RN        -C	3237000J0470	12	
25	R3, R33, R34, R50, R100, R174, R554, R562, R880	CR1/16S-472JV RES-MET RN        -C	3237000J0472	9	
26	R747	CR1/16S-473JV RES-MET RN        -C	3237000J0473	1	
27	R47, R96, R193~R195, R197~R199, R201, R202	CR1/16S-510JV RES-MET RN        -C	3237000J0510	10	
28	R138, R196, R233, R240, R246, R592, R644, R649~ R651, R735, R738, R739, R742, R870, R883	CR1/16S-512JV RES-MET RN        -C	3237000J0512	16	

**HMF-PCB (Main Controller PWB-VE)  
(42435201-5/11)**

REF. NO.	SYMBOL	TYPE/NAME	PART NO.	Q'TY	REMARKS
29	R600	MCR01-MZS-J2R0 RES-MET RN -C	3237005J0209	1	
30	12VR3, 12VR4	RM73B2B132F RES-MET RN -C	323A5015F0132	2	
31	12VR1, 12VR2	RM73B2B821F RES-MET RN -C	323A5015F0821	2	
32	R386, R827~R830, R871	CR/RK73Z/ERJ/MCRJ-0V RES-Zero ohm -C	3255003P0001	6	
33	R4~R7, R19, R31, R51, R69, R86, R97, R125, R135~R137, R143, R190, R191, R200, R203, R206, R230, R232, R235, R242, R256, R268, R270, R272, R274, R276, R278, R279, R304, R311~R322, R324, R325, R337, R350, R356, R358, R399, R596, R601, R724, R727, R736, R744, R756, R757, R831, R832, R835, R848~R852, R885~ R888, R890, R893	CR1/16S-000V RES- -C	3257000P0001	74	
34					
35	RM35, RM40~RM42, RM47~RM49, RM102~ RM109	CRA108-100JV RES-Block -C	3347001J0100	15	
36	RM53~RM60	CRA108-101JV RES-Block -C	3347001J0101	8	
37	RM101	CRA108-102JV RES-Block -C	3347001J0102	1	
38	RM1, RM2, RM62~RM65, RM98, RM99, RM501~ RM510, RM534~RM543, RM548, RM549	CRA108-103JV RES-Block -C	3347001J0103	30	
39	RM61, RM66~RM75	CRA108-220JV RES-Block -C	3347001J0220	11	
40	RM34, RM36, RM37, RM50	CRA108-330JV RES-Block -C	3347001J0330	4	

**HMF-PCB (Main Controller PWB-VE)  
(42435201-6/11)**

REF. NO.	SYMBOL	TYPE/NAME	PART NO.	Q'TY	REMARKS
41	RM23, RM24, RM26, RM27, RM32, RM33, RM38, RM39, RM43~ RM46, RM51, RM52, RM76~RM80, RM110, RM111	CRA108-470JV RES-Block -C	3347001J0470	21	
42	RM544~RM547	CRA108-512JV RES-Block -C	3347001J0512	4	
43	RM11~RM22, RM28~RM31	CRA108-680JV RES-Block -C	3347001J0680	16	
44	RM512~RM519	CRA108-000V RES-Block -C	3347001P0001	8	
45					
46	C29, C30, C32, C36~ C39	GRM/UMK/MCH/102B 50V CAP-Ceramic -C	3036003K0102	7	
47	C34, C97, C138, C152, C207, C643, C647, C657, C658, C767, C798	GRM/LMK/MCH/105Z 10V CAP-Ceramic -C	3036003Z0105	11	
48	C220, C303, C526, C538, C539, C549, C554, C559, C564, C565, C597, C604, C626, C632, C711, C770, C797, C853	GRM31/CM316-106 10V CAP-Ceramic -B	3036203Z0106	18	
49	C993	UMK105CH101JW-F 50V CAP-Ceramic -C	3037100C0101	1	
50	C46, C613, C616, C619	TMK105CH221JW-F 25V CAP-Ceramic -C	3037100C0221	4	
51	C784, C785	UMK105CH100DW-F 50V CAP-Ceramic -C	3037100D0100	2	

**HMF-PCB (Main Controller PWB-VE)  
(42435201-7/11)**

REF. NO.	SYMBOL	TYPE/NAME	PART NO.	Q'TY	REMARKS
52	C1, C4, C8-C11, C15, C16, C45, C102, C115, C118, C125, C130, C157, C160, C171, C181, C187, C191, C208, C214, C215, C522, C523, C531-C535, C540, C541, C544, C547, C548, C550, C551, C557, C558, C560, C561, C602, C606, C609, C610, C614, C621, C623, C628, C630, C641, C645, C648, C650, C652, C653, C660, C670, C676, C712, C714, C716, C719, C724, C726, C729, C731, C733, C734, C737, C740-C742, C793, C795, C803, C805, C807-C809, C811, C812, C817, C818, C821, C823, C827, C829, C831, C837, C845, C847-C850, C858, C994-C1012, C1014-C1019, C1022, C1055	UMK105BJ102KV-F 50V CAP-Ceramic -C	3037100K0102	123	
53	C309, C801, C851, C854-C857, C859-871	EMK105BJ103KV-F 16V CAP-Ceramic -C	3037100K0103	20	
54	C674, C678	UMK105BJ331KV-F 50V CAP-Ceramic -C	3037100K0331	2	



**HMF-PCB (Main Controller PWB-VE)  
(42435201-8/11)**

REF. NO.	SYMBOL	TYPE/NAME	PART NO.	Q'TY	REMARKS
55	C2, C3, C12-C14, C17-C19, C26-C28, C33, C43, C44, C47-C49, C59, C68, C78-C80, C82-C87, C93-C96, C98-C101, C105, C108, C116, C117, C119, C120, C124, C127, C128, C133, C135-C137, C139-C142, C144, C145, C147-C151, C153-C156, C158, C162, C169, C170, C173, C176, C193, C195-C206, C212, C213, C216-C219, C221-C227, C524, C525, C528-C530, C536, C537, C542, C543, C545, C546, C552, C553, C555, C556, C562, C563, C598-C601, C603, C607, C608, C615, C617, C618, C620, C622, C624, C627, C631, C642, C644, C646, C649, C651, C654-C656, C659, C661, C662, C671, C675, C681-C683, C713, C715, C717, C718, C721-C723, 725, C727, C728, C730, C732, C735, C736, C738, C739, C749, C750, C756, C758, C792, C794, C796, C799, C802, C804, C806, C810, C813-C816, C819, C820, C822, C824-C826, C828, C830, C832, C833, C835, C836, C842, C844, C846, C852, C872, C877-C880, C1020, C1021	EMK105F104ZV-F 16V CAP-Ceramic -C	3037100Z0104	199	
56	C24, C25	CM32Y5V475Z25AT 25V CAP-Ceramic -C	3038001Z2475	2	
57	C5, C211	CK2012F1C105Z 16V CAP-Ceramic -C 1 $\mu$ F	303A6008Z1105	2	
58	CP1	PXA4VC150MF60 4V CAP-Alum(CE) -B	3047001G0151	1	
59	CP4	PXA6.3VC120MF60 6.3V CAP-Alum(CE) -B	3047001J0121	1	
60	CP6-CP9, CP10, CP13	MVY16VC/CECBT-101M CAP-Alum(CE) -C	3047003C1101	6	

**HMF-PCB (Main Controller PWB-VE)  
(42435201-9/11)**

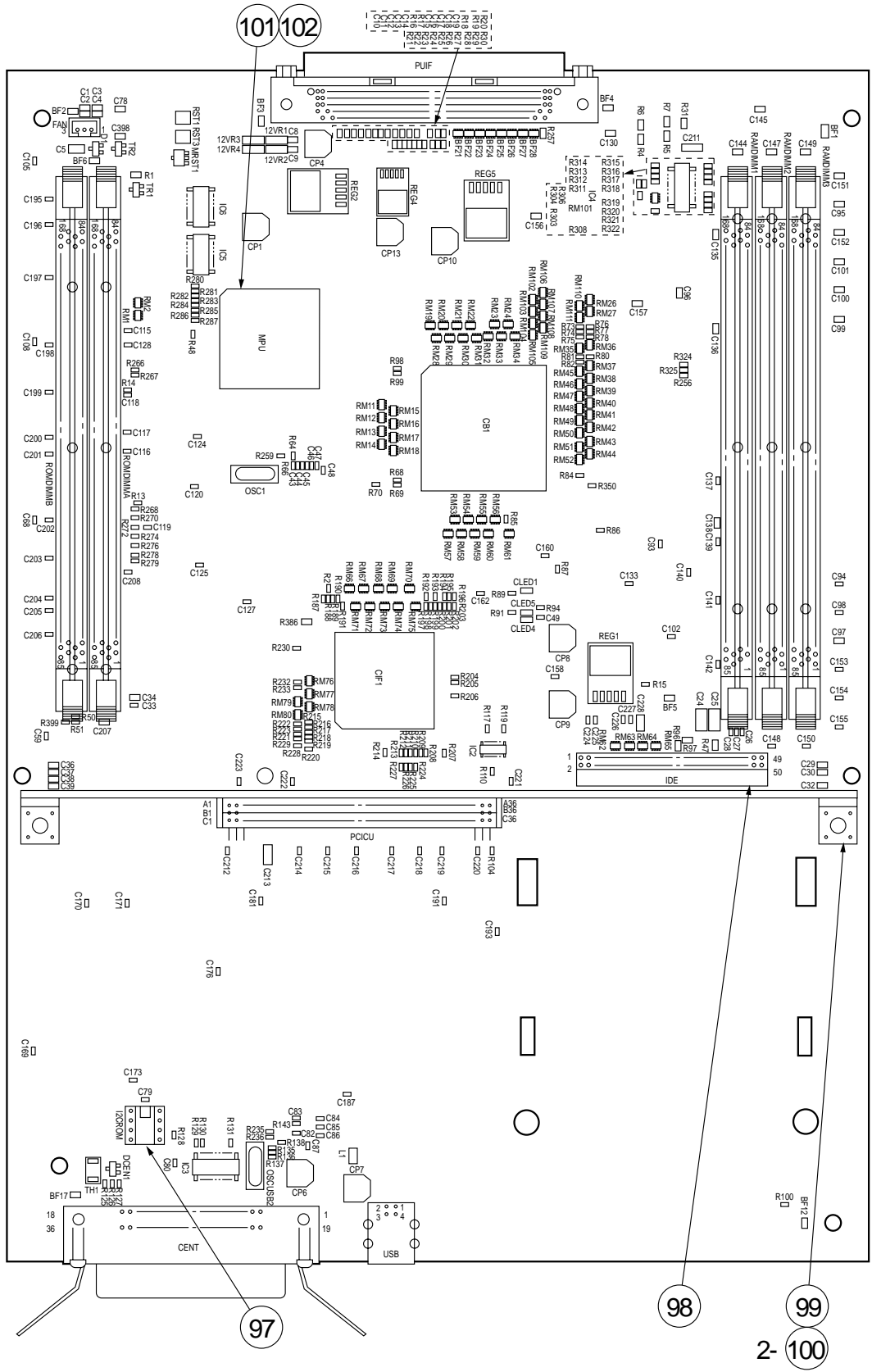
REF. NO.	SYMBOL	TYPE/NAME	PART NO.	Q'TY	REMARKS
61	RM3-RM10	MZA2010D-241CT Core- -C	1055014C0001	8	
62					
63	IC6, IC505	74LVC04NST/FP Digital IC-MOS -S	7022203N3004	2	
64	IC3	SN74LVC161284DGGR Digital IC-MOS -S	7022350N1284	1	
65	IC5	SN74LV08ANSR Digital IC-MOS -S	7022450N3008	1	
66	REG4	PQ070XZ01ZP Analog-BIPLIN -B	7201035N0001	1	
67	REG1, REG5	PQ05VY3H3ZP Analog-BIPLIN -B	7201035N0002	2	
68	REG2	PQ05VY053ZP Analog-BIPLIN -B	7201035N0003	1	
69	MRST1	M62733ML-600C Analog-BIPLIN -C	7204022N0002	1	
70	RST1, RST3	PST596CNR Analog-BIPLIN -C	7204037N0003	2	
71	FLCS501	PROM-Control-PX711/713	42565901	1	
72	IC4	PI6C2516AX CPU-Interface -B	8550089N0002	1	
73	IC504	PLL702-01XC-R CPU-Interface -B	8550090N0001	1	
74	IC2	PLL102-05SC-R CPU-Interface -B	8550090N0002	1	
75	USB2_0	NET2270 CPU-Interface -F	8550097N0001	1	
76	L1, L501, L502, L504~L506	LK21251R0K-T Coil-HF -C	3534101K0109	6	
77	TR2	2SA1338/2SB1198KT TR-PNP/H FREQ -C	6001003N0002	1	

**HMF-PCB (Main Controller PWB-VE)**  
**(42435201-10/11)**

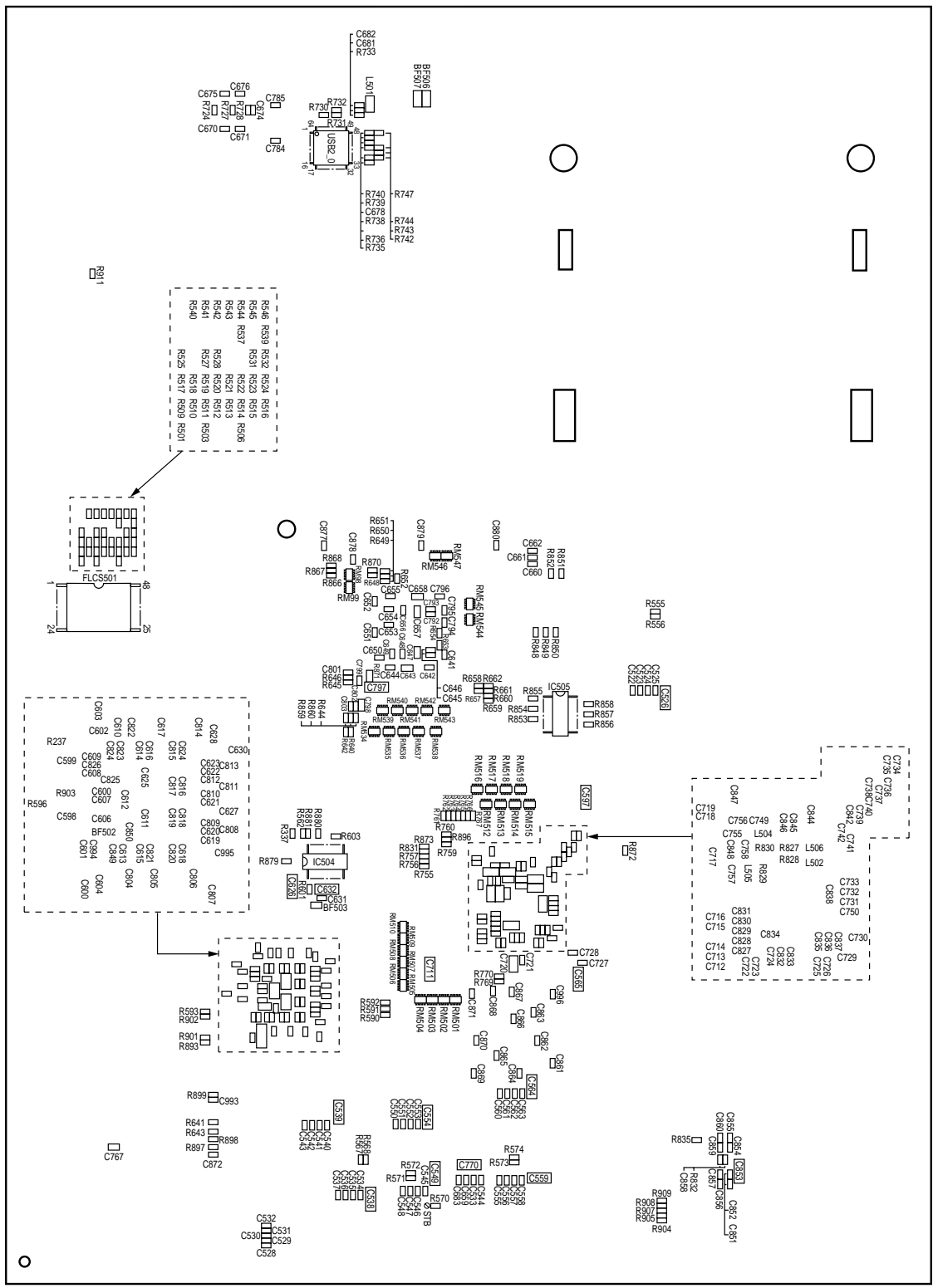
REF. NO.	SYMBOL	TYPE/NAME	PART NO.	Q'TY	REMARKS
78	TR1	DTC123YK/YKAT146 TR-NPN/H FREQ -C	6021003N0004	1	
79	I2CS	DICF-8CS-E Socket-SEMICON -	245A1221P0080	1	
80	CENT	57RE-40360-830B-D29 Connector-SQR -	2201001P0360	1	
81	IDE	A3-50DA/IMSA-9259S Connector-PCB -	2241003P0500	1	
82	USB	DUSB-BRA42-T11(D2) Connector-PCB -	2243041P0040	1	
83	PUIF	1658203-1 Connector-PCB -	2244020P2000	1	
84	FAN	B3B-PH-K-S Connector-PCB -	224A3529P0030	1	
85	OSC1	HC-49/U03C-14.318MHz OSC-Crystal -C	3801001B0006	1	
86	OSUSB2	HC-49/U03C-30.000MHz OSC-Crystal -C	3801001C0001	1	
87	BF1-BF6, BF12, BF17, BF502, BF503	BLM18PG300SN1D Core- -C	1055001C0001	10	
88	BF506, BF507	FB-MJ2125HS420-T Core- -C	1055020C0001	2	
89	TH1	miniSMDC100-02 FUSE -C	5400500L0102	1	
90	CLED1, CLED4, CLED5	SML-310LTT86(M/N) PHOTO-LED -C	6500137N0001	3	
91	C611, C612, C625, C720, C755, C757, C834, C838	JMK212BJ106MG-T 6.3V CAP-Ceramic -C	3036002M0106	8	
92	CB1	UPD800004S1-511-F6 Digital IC-MOS -F	7024923N1176	1	
93	CIF1	MG73P032-161LA Digital IC-MOS -F	7024524N1202	1	
94	MPU	IBM25PPC750FX-GB0133 CPU-MOS -F	8510542N0012	1	

**HMF-PCB (Main Controller PWB-VE)  
(42435201-11/11)**

REF. NO.	SYMBOL	TYPE/NAME	PART NO.	Q'TY	REMARKS
95	DIMMAS, DIMMBS, SDIMM1S, SDIMM2S, SDIMM3S	A-67093-2200 Socket-SEMICON -	2451005P1680	5	
96					
97		M24C32-WBN6 Memory-MOSEEPR -	8165323M0000	1	
98		Spacer	41287101	1	
99		HMP Board Specification	42558301	1	
100		FILLISTER HEAD SCREW	LB-181100-2	2	
101		16PC26/OSH-1627 Heat sink- -	1611003P0001	1	
102		Plate-Tension (A)	41744901	1	



HME-PCB (Main Controller PWB-VE)  
(42434601-1/11)



**HME-PCB (Main Controller PWB-VE)**  
**(42434601-2/11)**

**HME-PCB (Main Controller PWB-VE)  
(42434601-3/11)**

REF. NO.	SYMBOL	TYPE/NAME	PART NO.	Q'TY	REMARKS
1	DCEN1	SB05-05CP D-Rectifying -C	610A0332N0001	1	
2	D1	SS100MA80VSCP D-Signal -C	611A0000N0003	1	
3					
4	R1	CR/RK73K/ERJ/MCRJ751 RES-MET RN -C	3235003J0751	1	
5	R398, R555, R568, R571~R573	CR1/16S-202FV RES-MET RN -C	3237000F0202	6	
6	R66	CR1/16S-221FV RES-MET RN -C	3237000F0221	1	
7	R236	CR1/16S-331FV RES-MET RN -C	3237000F0331	1	
8	R556	CR1/16S-332FV RES-MET RN -C	3237000F0332	1	
9	R730, R731	CR1/16S-360FV RES-MET RN -C	3237000F0360	2	
10	R574	CR1/16S-431FV RES-MET RN -C	3237000F0431	1	
11	R567	CR1/16S-911FV RES-MET RN -C	3237000F0911	1	
12	R733	CR1/16S-912FV RES-MET RN -C	3237000F0912	1	
13	R18, R20~R30, R48, R70, R80~R82, R570, R603, R904, R905, R907~R909	CR1/16S-100JV RES-MET RN -C	3237000J0100	24	
14	R646	CR1/16S-101JV RES-MET RN -C	3237000J0101	1	
15	R187, R188, R204, R205, R266, R267, R501, R503, R506, R525, R527, R528, R531, R532, R537, R539, R593, R642, R652, R653, R657, R658, R853~R859, R866~R868, R881, R897	CR1/16S-102JV RES-MET RN -C	3237000J0102	34	

**HME-PCB (Main Controller PWB-VE)  
(42434601-4/11)**

REF. NO.	SYMBOL	TYPE/NAME	PART NO.	Q'TY	REMARKS
16	R2, R16, R68, R104, R128, R237, R281~R286, R308, R509~R524, R540~ R546, R590, R591, R640, R641, R645, R648, R654, R659~R662, R755, R860, R873, R903, R911	CR1/16S-103JV RES-MET RN -C	3237000J0103	52	
17	R732	CR1/16S-152JV RES-MET RN -C	3237000J0152	1	
18	R15, R17, R89, R91, R94, R257	CR1/16S-201JV RES-MET RN -C	3237000J0201	6	
19	R64	CR1/16S-203JV RES-MET RN -C	3237000J0203	1	
20	R73~R78, R85, R207~ R214, R224~R227, R740, R743, R761~R765, R879	CR1/16S-220JV RES-MET RN -C	3237000J0220	27	
21	R192	CR1/16S-272JV RES-MET RN -C	3237000J0272	1	
22	R84, R87, R98, R99, R110, R117, R119, R129~ R131, R259, R303, R306, R728, R759, R760, R766, R767, R769, R770, R872, R898, R899	CR1/16S-330JV RES-MET RN -C	3237000J0330	23	
23	R126, R127	CR1/16S-332JV RES-MET RN -C	3237000J0332	2	
24	R189, R215~R223, R228, R229	CR1/16S-470JV RES-MET RN -C	3237000J0470	12	
25	R13, R14, R50, R100, R554, R562, R643, R880, R896	CR1/16S-472JV RES-MET RN -C	3237000J0472	9	
26	R747	CR1/16S-473JV RES-MET RN -C	3237000J0473	1	
27	R47, R96, R193~R195, R197~R199, R201, R202	CR1/16S-510JV RES-MET RN -C	3237000J0510	10	
28	R138, R196, R233, R280, R287, R592, R644, R649~ R651, R735, R738, R739, R742, R870, R901	CR1/16S-512JV RES-MET RN -C	3237000J0512	16	



**HME-PCB (Main Controller PWB-VE)  
(42434601-5/11)**

REF. NO.	SYMBOL	TYPE/NAME	PART NO.	Q'TY	REMARKS
29					
30	12VR3, 12VR4	RM73B2B132F RES-MET RN -C	323A5015F0132	2	
31	12VR1, 12VR2	RM73B2B821F RES-MET RN -C	323A5015F0821	2	
32	R386, R827~R830, R871	CR/RK73Z/ERJ/MCRJ-0V RES-Zero ohm -C	3255003P0001	6	
33	R4~R7, R19, R31, R51, R69, R86, R97, R125, R135~R137, R143, R190, R191, R200, R203, R206, R230, R232, R235, R256, R268, R270, R272, R274, R276, R278, R279, R304, R311~R322, R324, R325, R337, R350, R399, R596, R601, R724, R727, R736, R744, R756, R757, R831, R832, R835, R848~R852, R893, R902	CR1/16S-000V RES- -C	3257000P0001	67	
34					
35	RM35, RM40~RM42, RM47~RM49, RM102~ RM109	CRA108-100JV RES-Block -C	3347001J0100	15	
36	RM53~RM60	CRA108-101JV RES-Block -C	3347001J0101	8	
37	RM101	CRA108-102JV RES-Block -C	3347001J0102	1	
38	RM1, RM2, RM62~RM65, RM98, RM99, RM501~ RM510, RM534~RM543	CRA108-103JV RES-Block -C	3347001J0103	28	
39	RM61, RM66~RM75	CRA108-220JV RES-Block -C	3347001J0220	11	
40	RM34, RM36, RM37, RM50	CRA108-330JV RES-Block -C	3347001J0330	4	

**HME-PCB (Main Controller PWB-VE)  
(42434601-6/11)**

REF. NO.	SYMBOL	TYPE/NAME	PART NO.	Q'TY	REMARKS
41	RM23, RM24, RM26, RM27, RM32, RM33, RM38, RM39, RM43~ RM46, RM51, RM52, RM76~RM80, RM110, RM111	CRA108-470JV RES-Block -C	3347001J0470	21	
42	RM544~RM547	CRA108-512JV RES-Block -C	3347001J0512	4	
43	RM11~RM22, RM28~RM31	CRA108-680JV RES-Block -C	3347001J0680	16	
44	RM512~RM519	CRA108-000V RES-Block -C	3347001P0001	8	
45					
46	C29, C30, C32, C36~ C39	GRM/UMK/MCH/102B 50V CAP-Ceramic -C	3036003K0102	7	
47	C34, C97, C138, C152, C207, C643, C647, C657, C658, C767, C798	GRM/LMK/MCH/105Z 10V CAP-Ceramic -C	3036003Z0105	11	
48	C211, C213, C526, C538, C539, C549, C554, C559, C564, C565, C597, C604, C626, C632, C711, C770, C797, C853	GRM31/CM316-106 10V CAP-Ceramic -B	3036203Z0106	18	
49	C993	UMK105CH101JW-F 50V CAP-Ceramic -C	3037100C0101	1	
50	C46, C613, C616, C619	TMK105CH221JW-F 25V CAP-Ceramic -C	3037100C0221	4	
51	C784, C785	UMK105CH100DW-F 50V CAP-Ceramic -C	3037100D0100	2	

**HME-PCB (Main Controller PWB-VE)  
(42434601-7/11)**

REF. NO.	SYMBOL	TYPE/NAME	PART NO.	Q'TY	REMARKS
52	C1, C4, C8-C11, C15, C16, C45, C102, C115, C118, C125, C130, C157, C160, C171, C181, C187, C191, C208, C224, C225, C522, C523, C531-C535, C540, C541, C544, C547, C548, C550, C551, C557, C558, C560, C561, C602, C606, C609, C610, C614, C615, C621, C623, C628, C630, C641, C645, C648, C650, C652, C653, C660, C670, C676, C712, C714, C716, C719, C724, C726, C729, C731, C733, C734, C737, C740-C742, C793, C795, C803, C805, C807-C809, C812, C817, C818, C821, C823, C827, C829, C831, C837, C845, C847-C850, C858	UMK105BJ102KV-F 50V CAP-Ceramic -C	3037100K0102	96	
53	C801, C851, C854-C857, C859-C871, C996	EMK105BJ103KV-F 16V CAP-Ceramic -C	3037100K0103	20	
54	C674, C678	UMK105BJ331KV-F 50V CAP-Ceramic -C	3037100K0331	2	

**HME-PCB (Main Controller PWB-VE)  
(42434601-8/11)**

REF. NO.	SYMBOL	TYPE/NAME	PART NO.	Q'TY	REMARKS
55	C2, C3, C12-C14, C17~C19, C26-C28, C33, C43, C44, C47-C49, C59, C68, C78-C80, C82-C87, C93-C96, C98-C101, C105, C108, C116, C117, C119, C120, C124, C127, C128, C133, C135-C137, C139~C142, C144, C145, C147~C151, C153-C156, C158, C162, C169, C170, C173, C176, C193, C195-C206, C212, C214-C223, C226, C227, C524, C525, C528~C530, C536, C537, C542, C543, C545, C546, C552, C553, C555, C556, C562, C563, C598-C601, C603, C607, C608, C617, C618, C620, C622, C624, C627, C631, C642, C644, C646, C649, C651, C654-C656, C659, C661, C662, C671, C675, C681~C683, C713, C715, C717, C718, C721~C723, C725, C727, C728, C730, C732, C735, C736, C738, C739, C749, C750, C756, C758, C792, C794, C796, C799, C802, C804, C806, C810, C813-C816, C819, C820, C822, C824~C826, C828, C830, C832, C833, C835, C836, C842, C844, C846, C852, C872, C877-C880, C994, C995	EMK105F104ZV-F 16V CAP-Ceramic -C	3037100Z0104	199	
56	C24, C25	CM32Y5V475Z25AT 25V CAP-Ceramic -C	3038001Z2475	2	
57	C5, C211	CK2012F1C105Z 16V CAP-Ceramic -C 1 $\mu$ F	303A6008Z1105	2	
58	CP1	PXA4VC150MF60 4V CAP-Alum(CE) -B	3047001G0151	1	
59	CP4	PXA6.3VC120MF60 6.3V CAP-Alum(CE) -B	3047001J0121	1	
60	CP6-CP9, CP10, CP13	MVY16VC/CECBT-101M CAP-Alum(CE) -C	3047003C1101	6	

**HME-PCB (Main Controller PWB-VE)  
(42434601-9/11)**

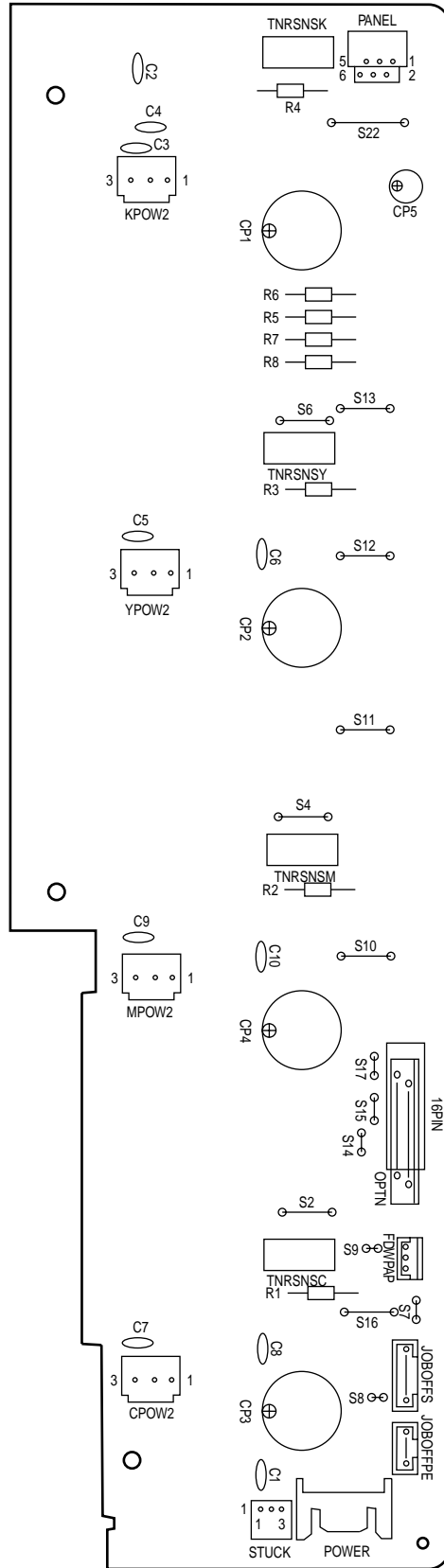
REF. NO.	SYMBOL	TYPE/NAME	PART NO.	Q'TY	REMARKS
61					
62	IC6, IC505	74LVC04NST/FP Digital IC-MOS -S	7022203N3004	2	
63	IC3	SN74LVC161284DGGR Digital IC-MOS -S	7022350N1284	1	
64	IC5	SN74LV08ANSR Digital IC-MOS -S	7022450N3008	1	
65	REG4	PQ070XZ01ZP Analog-BIPLIN -B	7201035N0001	1	
66	REG1, REG5	PQ05VY3H3ZP Analog-BIPLIN -B	7201035N0002	2	
67	REG2	PQ05VY053ZP Analog-BIPLIN -B	7201035N0003	1	
68	MRST1	M62733ML-600C Analog-BIPLIN -C	7204022N0002	1	
69	RST1, RST3	PST596CNR Analog-BIPLIN -C	7204037N0003	2	
70	FLCS501	PROM-Control-PX711/713	42565901	1	
71	MPU	IBM25PPC750CXEJP4013 CPU-MOS -F	8510542N0010	1	
72	IC4	PI6C2516AX CPU-Interface -B	8550089N0002	1	
73	IC504	PLL702-01XC-R CPU-Interface -B	8550090N0001	1	
74	IC2	PLL102-05SC-R CPU-Interface -B	8550090N0002	1	
75	USB2_0	NET2270 CPU-Interface -F	8550097N0001	1	
76	L1, L501, L502, L504~L506	LK21251R0K-T Coil-HF -C	3534101K0109	6	
77	TR2	2SA1338/2SB1198KT TR-PNP/H FREQ -C	6001003N0002	1	

**HME-PCB (Main Controller PWB-VE)  
(42434601-10/11)**

REF. NO.	SYMBOL	TYPE/NAME	PART NO.	Q'TY	REMARKS
78	TR1	DTC123YK/YKAT146 TR-NPN/H FREQ -C	6021003N0004	1	
79	DIMMAS, DIMMBS, SDIMM1S, SDIMM2S, SDIMM3S	A-67093-2200 Socket-SEMICON -	245A1221P0080	5	
80	I2CS	DICF-8CS-E Socket-SEMICON -	2451005P1680	1	
81	CENT	57RE-40360-830B-D29 Connector-SQR -	2201001P0360	1	
82	IDE	A3-50DA/IMSA-9259S Connector-PCB -	2241003P0500	1	
83	USB	DUSB-BRA42-T11(D2) Connector-PCB -	2243041P0040	1	
84	PUIF	1658203-1 Connector-PCB -	2244020P2000	1	
85	FAN	B3B-PH-K-S Connector-PCB -	224A3529P0030	1	
86	OSC1	HC-49/U03C-14.318MHz OSC-Crystal -C	3801001B0006	1	
87	OSCU2	HC-49/U03C-30.000MHz OSC-Crystal -C	3801001C0001	1	
88	BF1-BF6, BF12, BF17, BF502, BF503	BLM18PG300SN1D Core- -C	1055001C0001	10	
89	BF21-BF28	MZA2010D-241CT Core- -C	1055014C0001	8	
90	BF506, BF507	FB-MJ2125HS420-T Core- -C	1055020C0001	2	
91	TH1	miniSMDC100-02 FUSE -C	5400500L0102	1	
92	CLED1, CLED4, CLED5	SML-310LTT86(M/N) PHOTO-LED -C	6500137N0001	3	
93	C611, C612, C625, C720, C755, C757, C834, C838	JMK212BJ106MG-T 6.3V CAP-Ceramic -C	3036002M0106	8	
94	CB1	UPD800004S1-511-F6 Digital IC-MOS -F	7024923N1176	1	

**HME-PCB (Main Controller PWB-VE)  
(42434601-11/11)**

REF. NO.	SYMBOL	TYPE/NAME	PART NO.	Q'TY	REMARKS
95	CIF1	MG73P032-161LA Digital IC-MOS -F	7024524N1202	1	
96					
97		M24C32-WBN6 Memory-MOSEEPR -	8165323M0000	1	
98		Spacer	41287101	1	
99		HMP Board Specification	42558301	1	
100		FILLISTER HEAD SCREW	LB-181100-2	2	
101		16PC26/OSH-1627 Heat sink- -	1611003P0001	1	
102		Plate-Tension (A)	41744901	1	



**Y73-PCB (LED Control PWB) C9300  
(41879202-1/3)**

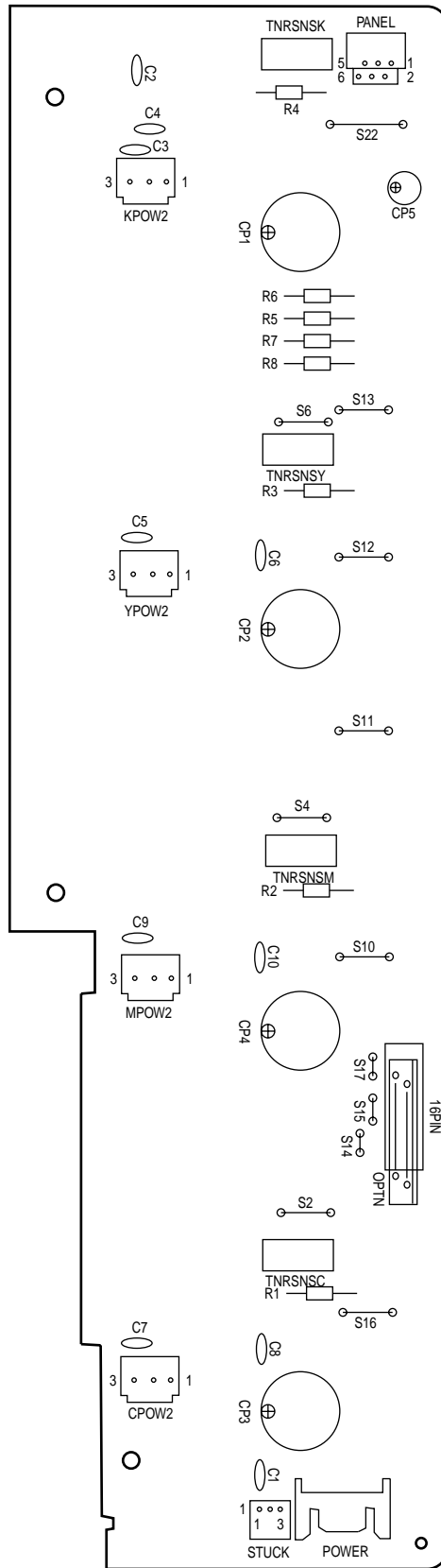


**Y73-PCB (LED Control PWB) C9300  
(41879202-2/3)**

REF. NO.	SYMBOL	TYPE/NAME	PART NO.	Q'TY	REMARKS
1	R1-R4	RD1/4Y150ohmJ RES-RD	321A1421J0151	4	
2	R5-R8	RD1/4Y5.1KohmJ RES-RD	321A1421J0512	4	
3					
4	C1, C2	HKZ5V4B/TCK45F2E103 CAP-Ceramic -P	3024003Z5103	2	
5	C3~C10	CK92F1E155ZS 25V CAP-CK 1.5 $\mu$ F	303A4117Z2155	8	
6	CP1~CP4	URS1A332MHA 10V CAP-Alum -	3041106A1332	4	
7	CP5	KMG25VB-100M-FC 25V CAP-CE 100 $\mu$ F	304A1180E1101	1	
8					
9	POWER	DF1B-14DP-2.5DS Connector-PCB -	2243035P0140	1	
10	PANEL	06FE-ST-VK-N Connector-PCB -	2244101P0060	1	
11	CPOW2, KPOW2, MPOW2, YPOW2	B3P-VH Connector-PC	224A3526P0030	4	
12	STUCK	S3B-PH-K-S Connector-PC	224A3531P0030	1	
13	JOBOFFS	B6B-PH-K-S Connector-PC	224A3529P0060	1	
14	JOBOFFPE	B4B-PH-K-S Connector-PC	224A3529P0040	1	
15	OPTN	20FE-BT-VK-N Connector-PCB -	2244102P0200	1	
16	FDWPAP	175487-3 Connector-PCB -	2244005P0030	1	
17					

**Y73-PCB (LED Control PWB) C9300  
(41879202-3/3)**

REF. NO.	SYMBOL	TYPE/NAME	PART NO.	Q'TY	REMARKS
18	TNRSNSC, TNRSNSK, TNRSNSM, TNRSNSY	RPI-574/SG-206 Photocoupler	652A0103M0002	4	
19					
20	S2, S4, S6, S8-S13, S16	SHORT WIRE	TA-0.6	10	
21	S7, S15	SHORT WIRE	TA-0.6	2	
22	S14, S17	SHORT WIRE	TA-0.6	2	
23	S22	SHORT WIRE	TA-0.6	1	



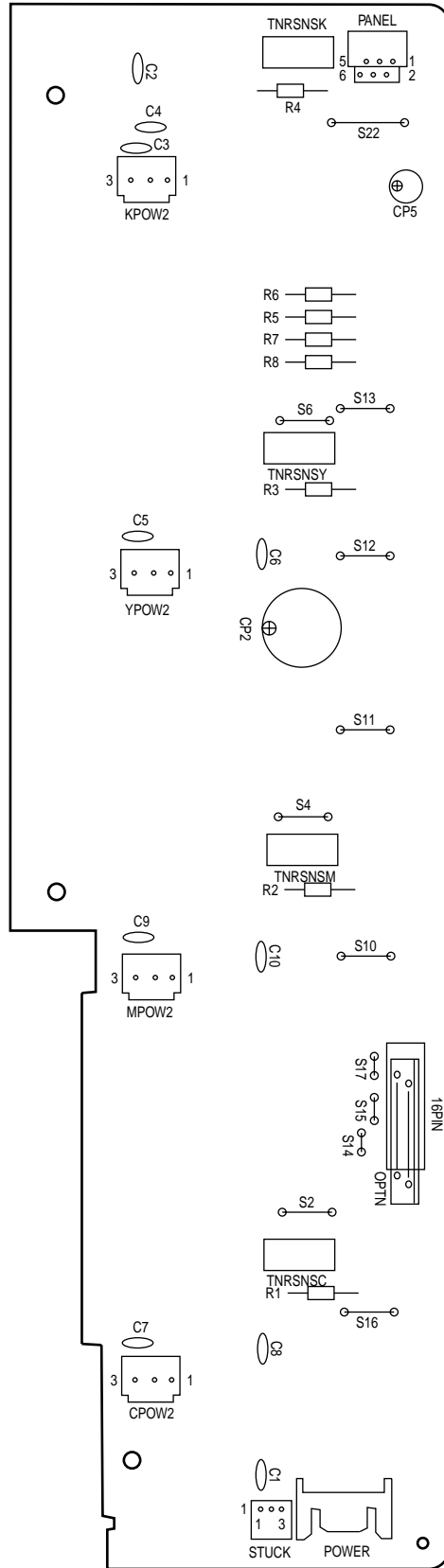
**Y73-PCB (LED Control PWB) C7300/C7100  
(41879201-1/3)**

**Y73-PCB (LED Control PWB) C7300/C7100  
(41879201-2/3)**

REF. NO.	SYMBOL	TYPE/NAME	PART NO.	Q'TY	REMARKS
1	R1-R4	RD1/4Y150ohmJ RES-RD	321A1421J0151	4	
2	R5-R8	RD1/4Y5.1KohmJ RES-RD	321A1421J0512	4	
3					
4	C1, C2	HKZ5V4B/TCK45F2E103 CAP-Ceramic -P	3024003Z5103	2	
5	C3~C10	CK92F1E155ZS 25V CAP-CK 1.5 $\mu$ F	303A4117Z2155	8	
6	CP1~CP4	URS1A332MHA 10V CAP-Alum -	3041106A1332	4	
7	CP5	KMG25VB-100M-FC 25V CAP-CE 100 $\mu$ F	304A1180E1101	1	
8					
9	POWER	DF1B-14DP-2.5DS Connector-PCB -	2243035P0140	1	
10	PANEL	06FE-ST-VK-N Connector-PCB -	2244101P0060	1	
11	CPOW2, KPOW2, MPOW2, YPOW2	B3P-VH Connector-PC	224A3526P0030	4	
12	STUCK	S3B-PH-K-S Connector-PC	224A3531P0030	1	
13	OPTN	16FE-BT-VK-N Connector-PCB -	2244102P0160	1	
14					
15	TNRSNSC, TNRSNSK, TNRSNSM, TNRSNSY	RPI-574/SG-206 Photocoupler	652A0103M0002	4	
16					
17	S2, S4, S6, S10~S13, S16	SHORT WIRE	TA-0.6	8	

**Y73-PCB (LED Control PWB) C7300/C7100  
(41879201-3/3)**

REF. NO.	SYMBOL	TYPE/NAME	PART NO.	Q'TY	REMARKS
18	S14, S17	SHORT WIRE	TA-0.6	2	
19	S15	SHORT WIRE	TA-0.6	1	
20	S22	SHORT WIRE	TA-0.6	1	



**Y73-PCB (LED Control PWB) C7300/C7100  
(41879204-1/3)**

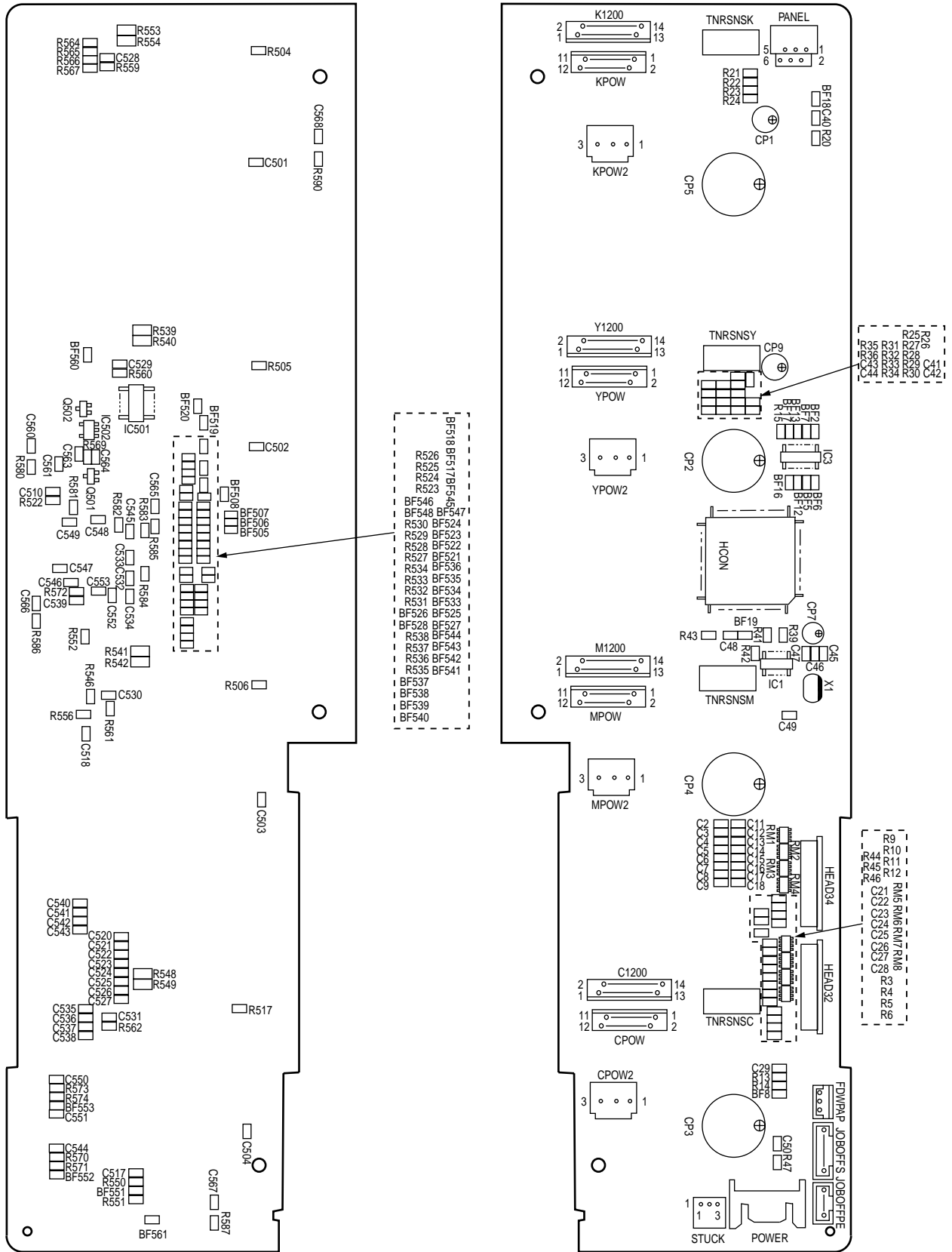
**Y73-PCB (LED Control PWB) C7300/C7100  
(41879204-2/3)**

REF. NO.	SYMBOL	TYPE/NAME	PART NO.	Q'TY	REMARKS
1	R1-R4	RD1/4Y150ohmJ RES-RD	321A1421J0151	4	
2	R5-R8	RD1/4Y5.1KohmJ RES-RD	321A1421J0512	4	
3					
4	C1, C2	HKZ5V4B/TCK45F2E103 CAP-Ceramic -P	3024003Z5103	2	
5	C3-C10	CK92F1E155ZS 25V CAP-CK 1.5 $\mu$ F	303A4117Z2155	8	
6	CP2	URS1A332MHA 10V CAP-Alum -	3041106A1332	1	
7	CP5	KMG25VB-100M-FC 25V CAP-CE 100 $\mu$ F	304A1180E1101	1	
8					
9	POWER	DF1B-14DP-2.5DS Connector-PCB -	2243035P0140	1	
10	PANEL	06FE-ST-VK-N Connector-PCB -	2244101P0060	1	
11	CPOW2, KPOW2, MPOW2, YPOW2	B3P-VH Connector-PC	224A3526P0030	4	
12	STUCK	S3B-PH-K-S Connector-PC	224A3531P0030	1	
13	OPTN	16FE-BT-VK-N Connector-PCB -	2244102P0160	1	
14					
15	TNRSNSC, TNRSNSK, TNRSNSM, TNRSNSY	RPI-574/SG-206 Photocoupler	652A0103M0002	4	
16					
17	S2, S4, S6, S10-S13, S16	SHORT WIRE	TA-0.6	8	

**Y73-PCB (LED Control PWB) C7300/C7100  
(41879204-3/3)**

REF. NO.	SYMBOL	TYPE/NAME	PART NO.	Q'TY	REMARKS
18	S14, S17	SHORT WIRE	TA-0.6	2	
19	S15	SHORT WIRE	TA-0.6	1	
20	S22	SHORT WIRE	TA-0.6	1	





**Y7X-PCB (LED Control PWB) C9500  
(42040002-1/5)**

**Y7X-PCB (LED Control PWB) C9500  
(42040002-2/5)**

REF. NO.	SYMBOL	TYPE/NAME	PART NO.	Q'TY	REMARKS
1	R556	CR/RK73H/ERJ/MCRF102 RES-MET RN -C	3235003F0102	1	
2	R29, R30, R33, R34	CR/RK73H/ERJ/MCRF183 RES-MET RN -C	3235003F0183	4	
3	R522	CR/RK73H/ERJ/MCRF302 RES-MET RN -C	3235003F0302	1	
4	R20, R42, R43, R47, R580, R585~R587, R590	CR/RK73K/ERJ/MCRJ100 RES-MET RN -C	3235003J0100	9	
5	R523~R538	CR/RK73K/ERJ/MCRJ102 RES-MET RN -C	3235003J0102	16	
6	C551, R14, R571, R574	CR/RK73K/ERJ/MCRJ103 RES-MET RN -C	3235003J0103	4	
7	R13, R550, R570, R573	CR/RK73K/ERJ/MCRJ202 RES-MET RN -C	3235003J0202	4	
8	R551	CR/RK73K/ERJ/MCRJ203 RES-MET RN -C	3235003J0203	1	
9	R569	CR/RK73K/ERJ/MCRJ242 RES-MET RN -C	3235003J0242	1	
10	R27, R28, R31, R32	CR/RK73K/ERJ/MCRJ472 RES-MET RN -C	3235003J0472	4	
11	R559~R562, R572	CR/RK73K/ERJ/MCRJ473 RES-MET RN -C	3235003J0473	5	
12	R564~R567	CR/RK73K/ERJ/MCRJ512 RES-MET RN -C	3235003J0512	4	
13	R39, R41, R581~R584	CR/RK73K/ERJ/MCRJ560 RES-MET RN -C	3235003J0560	6	
14	R539~R542, R548, R549, R553, R554	RM73B2A750J RES-RN (CP)	323A5003J0750	8	
15	BF2, BF5~BF7, BF12, BF13, BF16, BF17, R3~ R6, R9~R12, R21~R26, R35, R36, R44~R46, R546, R552	CR/RK73Z/ERJ/MCRJ-0V RES-Zero ohm -C	3255003P0001	29 1	
16	RM1~RM8	CN1J/EXB/BCN68ohmJ RES-Block -C	3345003J0680	8	

**Y7X-PCB (LED Control PWB) C9500  
(42040002-3/5)**

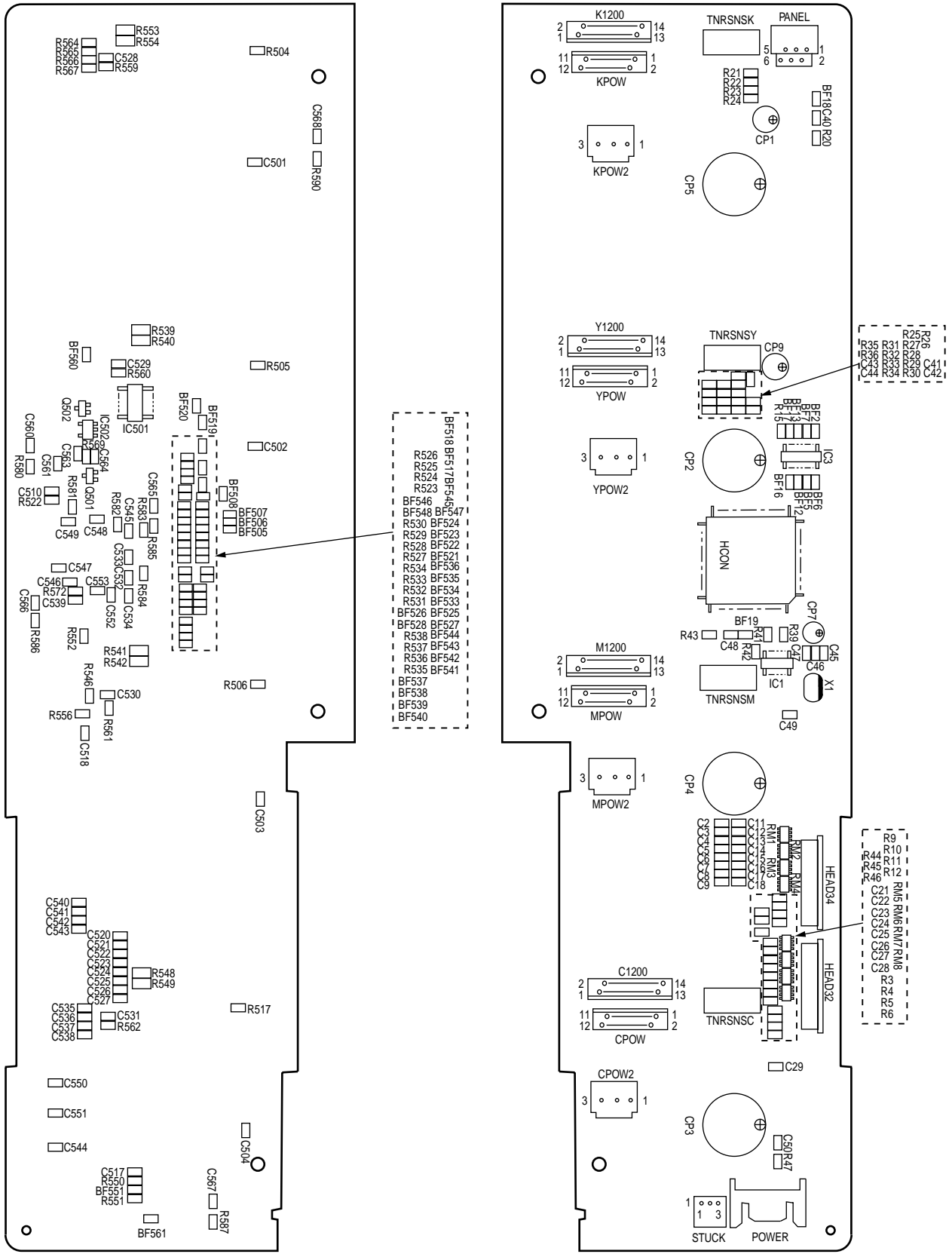
REF. NO.	SYMBOL	TYPE/NAME	PART NO.	Q'TY	REMARKS
17					
18	C1	HKZ5V4B/TCK45F2E103 CAP-Ceramic -P	3024003Z5103	1	
19	C2~C9, C11~C18, C21~ C29, C517, C520~C531, C544, C550	GRM/UMK/MCH/680CH CAP-Ceramic -C	3033003C0680	40	
20	C535~C538, C540~C543	GRM/UMK/MCH/101CH CAP-Ceramic -C	3033003C0101	8	
21	C40, C48, C50, 560, C561, C565~C568	GRM/UMK/MCH/102B 50V CAP-Ceramic -C	3036003K0102	9	
22	C49, C539	GRM/UMK/MCH/103B 50V CAP-Ceramic -C	3036003K0103	2	
23	C510	GRM/UMK/MCH/222B 50V CAP-Ceramic -C	3036003K0222	1	
24	C41~C47, C501~C504, C532~C534, C545~C549, C552, C553, C563, C564	GRM/ TMK/ MCH/ 104Z 25V CAP-Ceramic -C	3036003Z0104	23	
25	C518	CC2012SL1H102J 50V CAP-CC (CP)	303A3007K0102	1	
26	CP2~CP5	URS1A332MHA 10V CAP-Alum -	30411061332	4	
27	CP1	KMG25VB-100M-FC 25V CAP-CE 100 $\mu$ F	304A1180E1101	1	
28	CP9	KMG25VB-47M-FC 25V CAP-CE 47 $\mu$ F	304A1180E1470	1	
29	CP7	KMG35VB-22M-FC 35V CAP-CE 22 $\mu$ F	304A1180V1220	1	
30					
31	HCON	UPD65943GM-090-JED Digital IC-MOS -F	7024923N1174	1	
32	IC3	DS90LV031ATMX Interface IC-MOS -S	7123053N0004	1	
33	IC501	NJM2901M/UPC339G2 BIPLIN-IC (SO)	720A0503N0007	1	

**Y7X-PCB (LED Control PWB) C9500  
(42040002-4/5)**

REF. NO.	SYMBOL	TYPE/NAME	PART NO.	Q'TY	REMARKS
34	IC502	R1110/R1111-N331B-TR Analog-MOSLIN -C	7301003N0002	1	
35	IC1	IMISM530AYBD-1 CPU-Interface -B	8550084N0002	1	
36					
37	Q502	2SA1338/2SB1198KT TR-PNP/H -C	6001003N0002	1	
38	Q501	DTC123YK/YKAT146 TR-NPN/H -C	6021003N0004	1	
39					
40	HEAD32	32FLZ-RSM1-R-TB Connector-PCB -B	2243102P0320	1	
41	HEAD34	34FLZ-RSM1-R-TB Connector-PCB -B	2243102P0340	1	
42	FDWPAP	175487-3 Connector-PCB -	2244005P0030	1	
43	PANEL	06FE-ST-VK-N Connector-PCB -	2244101P0060	1	
44	CPOW, KPOW, MPOW, YPOW	12FE-BT-VK-N Connector-PCB -	2244102P0120	4	
45	C1200, K1200, M1200, Y1200	14FE-BT-VK-N Connector-PC	2244102P0140	4	
46	CPOW2, KPOW2, MPOW2, YPOW2	B3P-VH Connector-PCB -	224A3526P0030	4	
47	JOBOFFPE	B4B-PH-K-S Connector-PC	224A3529P0040	1	
48	JOBOFFS	B6B-PH-K-S Connector-PC	224A3529P0060	1	
49	STUCK	S3B-PH-K-S Connector-PC	224A3531P0030	1	
50	POWER	DF1B-14DP-2.5DS Connector-PCB -	2243035P0140	1	

**Y7X-PCB (LED Control PWB) C9500  
(42040002-5/5)**

REF. NO.	SYMBOL	TYPE/NAME	PART NO.	Q'TY	REMARKS
51					
52	X1	CSTLS36M0X51-A0 OSC-Ceramic -P	3811007C0001	1	
53	BF18, BF19, BF560, BF561	BLM18PG300SN1D Core -C	1055001C0001	4	
54	BF8, BF551~BF553	BLM18BD182SN1D Core -C	1055001C0002	4	
55	BF505~BF508, BF517~ BF528, BF533~BF548, R504~R506, R517	BLM18AG601SN1D Core -C	1055002C0001	36	
56	R15	MMZ1608Y152BT Filter-PW line -C	3775004P0011	1	
57				1	
58	TNRSNSC, TNRSNSK, TNRSNSM, TNRSNSY	RPI-574/SG-206 Photocoupler	652A0103M0002	4	



**Y7X-PCB (LED Control PWB) C7500  
(42040001-1/5)**

**Y7X-PCB (LED Control PWB) C7500  
(42040001-2/5)**

REF. NO.	SYMBOL	TYPE/NAME	PART NO.	Q'TY	REMARKS
1	R556	CR/RK73H/ERJ/MCRF102 RES-MET RN -C	3235003F0102	1	
2	R29, R30, R33, R34	CR/RK73H/ERJ/MCRF183 RES-MET RN -C	3235003F0183	4	
3	R522	CR/RK73H/ERJ/MCRF302 RES-MET RN -C	3235003F0302	1	
4	R20, R42, R43, R47, R580, R585~R587, R590	CR/RK73K/ERJ/MCRJ100 RES-MET RN -C	3235003J0100	9	
5	R523~R538	CR/RK73K/ERJ/MCRJ102 RES-MET RN -C	3235003J0102	16	
6	R550	CR/RK73K/ERJ/MCRJ202 RES-MET RN -C	3235003J0202	1	
7	R551	CR/RK73K/ERJ/MCRJ203 RES-MET RN -C	3235003J0203	1	
8	R569	CR/RK73K/ERJ/MCRJ242 RES-MET RN -C	3235003J0242	1	
9	R27, R28, R31, R32	CR/RK73K/ERJ/MCRJ472 RES-MET RN -C	3235003J0472	4	
10	R559~R562, R572	CR/RK73K/ERJ/MCRJ473 RES-MET RN -C	3235003J0473	5	
11	R564~R567	CR/RK73K/ERJ/MCRJ512 RES-MET RN -C	3235003J0512	4	
12	R39, R41, R581~R584	CR/RK73K/ERJ/MCRJ560 RES-MET RN -C	3235003J0560	6	
13	R539~R542, R548, R549, R553, R554	RM73B2A750J RES-RN (CP)	323A5003J0750	8	
14	BF2, BF5~BF7, BF12, BF13, BF16, BF17, R3~ R6, R9~R12, R21~R26, R35, R36, R44~R46, R546, R552, C29, C544, C550, C551	CR/RK73Z/ERJ/MCRJ-0V RES-Zero ohm -C	3255003P0001	33  1	
15	RM1~RM8	CN1J/EXB/BCN68ohmJ RES-Block -C	3345003J0680	8	
16					

**Y7X-PCB (LED Control PWB) C7500  
(42040001-3/5)**

REF. NO.	SYMBOL	TYPE/NAME	PART NO.	Q'TY	REMARKS
17	C1	HKZ5V4B/TCK45F2E103 CAP-Ceramic -P	3024003Z5103	1	
18	C2~C9, C11~C18, C21~ C28, C517, C520~C531	GRM/UMK/MCH/680CH CAP-Ceramic -C	3033003C0680	37	
19	C535~C538, C540~C543	GRM/UMK/MCH/101CH CAP-Ceramic -C	3033003C0101	8	
20	C40, C48, C50, 560, C561, C565~C568	GRM/UMK/MCH/102B 50V CAP-Ceramic -C	3036003K0102	9	
21	C49, C539	GRM/UMK/MCH/103B 50V CAP-Ceramic -C	3036003K0103	2	
22	C510	GRM/UMK/MCH/222B 50V CAP-Ceramic -C	3036003K0222	1	
23	C41~C47, C501~C504, C532~C534, C545~C549, C552, C553, C563, C564	GRM/ TMK/ MCH/ 104Z 25V CAP-Ceramic -C	3036003Z0104	23	
24	C518	CC2012SL1H102J 50V CAP-CC (CP)	303A3007K0102	1	
25	CP2~CP5	URS1A332MHA 10V CAP-Alum -	30411061332	4	
26	CP1	KMG25VB-100M-FC 25V CAP-CE 100 $\mu$ F	304A1180E1101	1	
27	CP9	KMG25VB-47M-FC 25V CAP-CE 47 $\mu$ F	304A1180E1470	1	
28	CP7	KMG35VB-22M-FC 35V CAP-CE 22 $\mu$ F	304A1180V1220	1	
29					
30	HCON	UPD65943GM-090-JED Digital IC-MOS -F	7024923N1174	1	
31	IC3	DS90LV031ATMX Interface IC-MOS -S	7123053N0004	1	
32	IC501	NJM2901M/UPC339G2 BIPLIN-IC (SO)	720A0503N0007	1	
33	IC502	R1110/R1111-N331B-TR Analog-MOSLIN -C	7301003N0002	1	

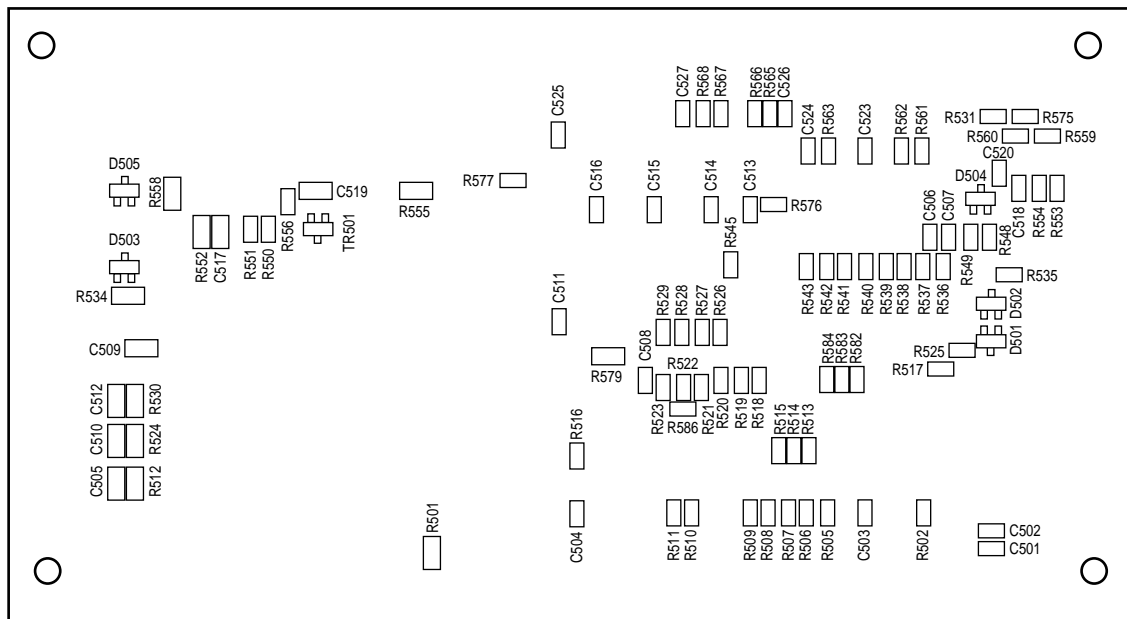
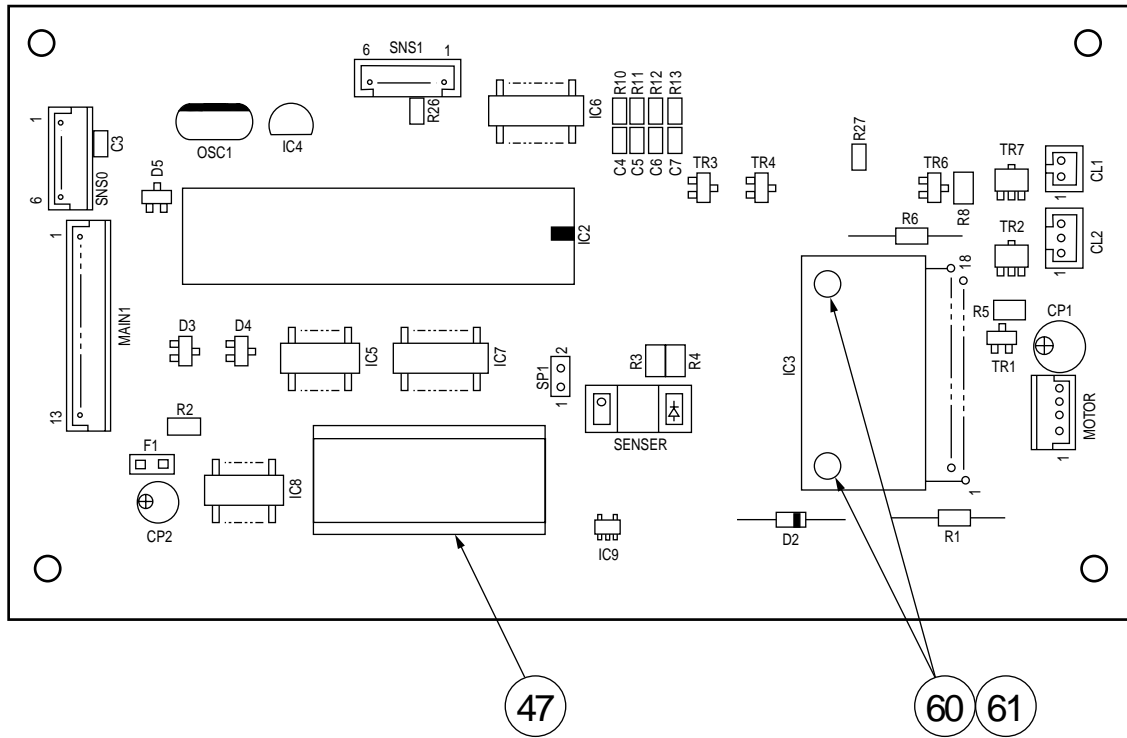


**Y7X-PCB (LED Control PWB) C7500  
(42040001-4/5)**

REF. NO.	SYMBOL	TYPE/NAME	PART NO.	Q'TY	REMARKS
34	IC1	IMISM530AYBD-1 CPU-Interface -B	8550084N0002	1	
35					
36	Q502	2SA1338/2SB1198KT TR-PNP/H -C	6001003N0002	1	
37	Q501	DTC123YK/YKAT146 TR-NPN/H -C	6021003N0004	1	
38					
39	HEAD32	32FLZ-RSM1-R-TB Connector-PCB -B	2243102P0320	1	
40	HEAD34	34FLZ-RSM1-R-TB Connector-PCB -B	2243102P0340	1	
41	PANEL	06FE-ST-VK-N Connector-PCB -	2244101P0060	1	
42	CPOW, KPOW, MPOW, YPOW	12FE-BT-VK-N Connector-PCB -	2244102P0120	4	
43	C1200, K1200, M1200, Y1200	14FE-BT-VK-N Connector-PC	2244102P0140	4	
44	CPOW2, KPOW2, MPOW2, YPOW2	B3P-VH Connector-PCB -	224A3526P0030	4	
45	STUCK	S3B-PH-K-S Connector-PC	224A3531P0030	1	
46	POWER	DF1B-14DP-2.5DS Connector-PCB -	2243035P0140	1	
47					
48	X1	CSTLS36M0X51-A0 OSC-Ceramic -P	3811007C0001	1	
49	BF18, BF19, BF560, BF561	BLM18PG300SN1D Core -C	1055001C0001	4	
50	BF551	BLM18BD182SN1D Core -C	1055001C0002	1	

**Y7X-PCB (LED Control PWB) C7500  
(42040001-5/5)**

REF. NO.	SYMBOL	TYPE/NAME	PART NO.	Q'TY	REMARKS
51	BF505-BF508, BF517~ BF528, BF533-BF548, R504-R506, R517	BLM18AG601SN1D Core -C	1055002C0001	36	
52	R15	MMZ1608Y152BT Filter-PW line -C	3775004P0011	1	
53				1	
54	TNRSNSC, TNRSNSK, TNRSNSM, TNRSNSY	RPI-574/SG-206 Photocoupler	652A0103M0002	4	



**V73-PCB (Duplex Control PWB) C9500/C9300  
(41206805-1/5)**

**V73-PCB (Duplex Control PWB) C9500/C9300  
(41206805-2/5)**

REF. NO.	SYMBOL	TYPE/NAME	PART NO.	Q'TY	REMARKS
1	D2	OR-Rectifying DI -Q	40401401	1	
2	D4, D501, D504	SS100MA80VACP D-Signal (CP)	611A0000N0001	3	
3	D3, D5, D502, D503, D505	SS100MA80VKCP D-Signal (CP)	611A0000N0002	5	
4					
5	R556	CR/RK73H/ERJ/MCRF202 RES-MET RN -C	3235003F0202	1	
6	R550	CR/RK73H/ERJ/MCRF362 RES-MET RN -C	3235003F0362	1	
7	R551	CR/RK73H/ERJ/MCRF512 RES-MET RN -C	3235003F0512	1	
8	R10~R13, R517, R525, R531, R535, R548, R549, R554, R559, R565, R568	CR/RK73K/ERJ/MCRJ102 RES-MET RN -C	3235003J0102	14	
9	R511, R516, R519~R523, R526~R529, R536~R543	CR/RK73K/ERJ/MCRJ103 RES-MET RN -C	3235003J0103	19	
10	R27	CR/RK73K/ERJ/MCRJ203 RES-MET RN -C	3235003J0203	1	
11	R502	CR/RK73K/ERJ/MCRJ222 RES-MET RN -C	3235003J0222	1	
12	R505~R510, R513~R515, R518	CR/RK73K/ERJ/MCRJ330 RES-MET RN -C	3235003J0330	10	
13	R553, R560, R566, R567	CR/RK73K/ERJ/MCRJ473 RES-MET RN -C	3235003J0473	4	
14	R563	CR/RK73K/ERJ/MCRJ512 RES-MET RN -C	3235003J0512	1	
15	R512, R552	RM73B2A102J RES RN (CP)	323A5003J0102	2	
16	R555	RM73B2A272J RES RN (CP)	323A5003J0272	1	
17	R3, R4	RM73B2A301J RES RN (CP)	323A5003J0301	2	

**V73-PCB (Duplex Control PWB) C9500/C9300  
(41206805-3/5)**

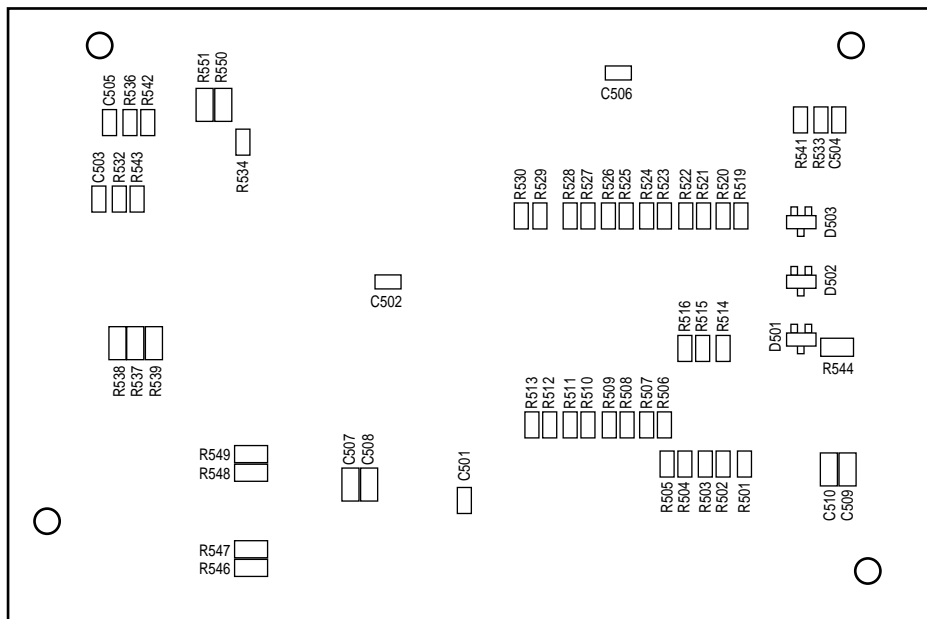
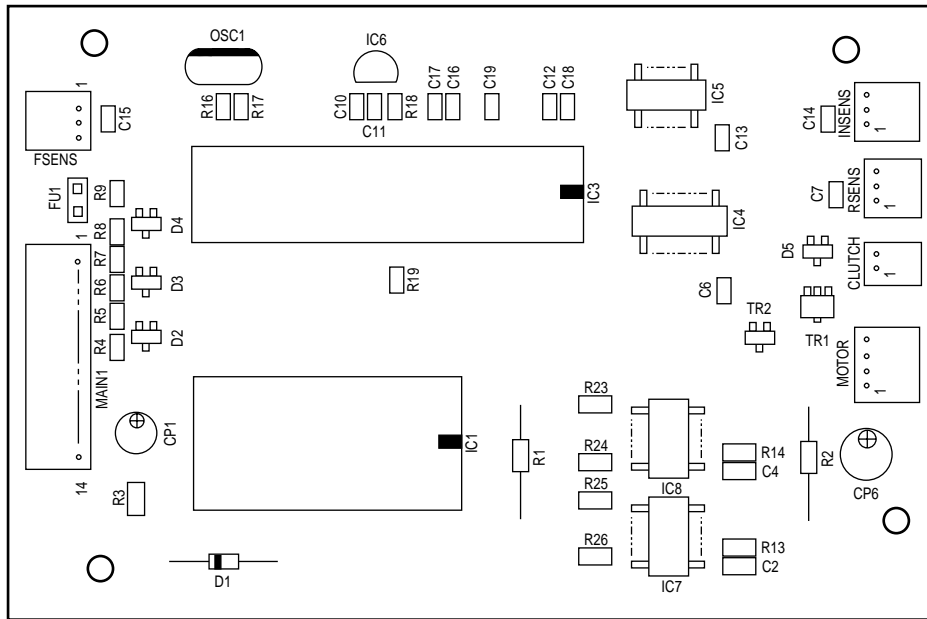
REF. NO.	SYMBOL	TYPE/NAME	PART NO.	Q'TY	REMARKS
18	R524, R530	RM73B2A333J RES RN (CP)	323A5003J0333	2	
19	R5, R8, R534, R558	RM73B2A392J RES RN (CP)	323A5003J0392	4	
20	R2, R501, R579	2125JPW RN RESISTOR (CP)	323A5003P0001	3	
21	R1, R6	RNS1-0.51ohmJ RES RS	324A1012J0518	2	
22	R26, R545, R561, R562, R575- R577, R582-R584, R586	CR/RK73Z/ERJ/MCRJ-0V RES-Zero ohm -C	3255003P0001	11	
23					
24	C3-C7, C506, C507, C513-C516, C518, C526, C527	GRM/UMK/MCH/680CH CAP-Ceramic -C	3033003C0680	14	
25	C503, C504, C508, C511, C520, C523-C525	GRM/ TMK/ MCH/ 104Z 25V CAP-Ceramic -C	3036003Z0104	8	
26	C501, C502	EMK107F474ZA-T 16V CAP-Ceramic -C	3036005Z0474	2	
27	C519	CC2012SL1H101J 50V CAP-CC (CP)	303A3007K0101	1	
28	C505, C510, C512, C517	CC2012SL1H102J 50V CAP-CC (CP)	303A3007K0102	4	
29	C509	CK2012F1H104Z 50V CAP-CK (CP)	303A6008Z3104	1	
30	CP2	UVX/SME-16VB-10-0A 16V CAP-Alum -P	30411103C1100	1	
31	CP1	KMG50VB-47M 50V CAP-CE 47 $\mu$ F	304A1164H1470	1	
32					
33	IC8	SN74LS38NS Digital IC-BIP (SO)	700A0550N0038	1	
34	IC5	74HC00FP Digital IC-MOS (SO)	702A1703N0000	1	

**V73-PCB (Duplex Control PWB) C9500/C9300  
(41206805-4/5)**

REF. NO.	SYMBOL	TYPE/NAME	PART NO.	Q'TY	REMARKS
35	IC6	74HC244FP Digital IC-MOS (SO)	702A1703N0244	1	
36	IC7	74HC373FP Digital IC-MOS (SO)	702A1703N0373	1	
37	IC9	TC7S02F Digital IC-MOS (CP)	702A3225N0006	1	
38	IC3	A2918SWH Analog-BIPLIN -	7201826M0001	1	
39	IC4	PST592D-2 BIPLIN-IC	720A4037M0015	1	
40	IC2	MSM65X512ARS CPU-MOS -	8510124M0001	1	
41					
42	TR4	2SA1338/2SB1198KT TR-PNP/H -C	6001003N0002	1	
43	TR2, TR7	2SB1123 PNP-LF-TR (CP)	601A1032N0002	2	
44	TR1, TR6, TR501	DTC124EKAT146 TR-NPN/H -C	6021035N0004	3	
45	TR3	DTC114EKA NPN-HF-TR (CP)	602A1035N0005	1	
46					
47		DICF-28CS-E Socket-IC	245A1221P0080	1	
48	MOTOR	175487-4 Connector-PCB -	2244005P0040	1	
49	SNS0	175487-6 Connector-PCB -	2244005P0060	1	
50	MAIN1	1-175487-3 Connector-PCB -	2244005P0130	1	
51	CL1	B2B-PH-K-S Connector-PC	224A3529P0020	1	

**V73-PCB (Duplex Control PWB) C9500/C9300  
(41206805-5/5)**

REF. NO.	SYMBOL	TYPE/NAME	PART NO.	Q'TY	REMARKS
52	CL2	B3B-PH-K-S Connector-PC	224A3529P0030	1	
53	SNS1	B6B-PH-K-S Connector-PC	224A3529P0060	1	
54	SP1	IMSA9202B-1-02Z013GF Connector-PC	224A4082P0020	1	
55					
56	OSC1	CSTLA10M0T55 OSC-Ceramic	381A1045B0014	1	
57	F1	429-002WR Fuse	5402205S7202	1	
58	SENER	RPI-574/SG-206 Photocoupler	652A0103M0002	1	
59					
60		Nut	3N2.5-HH	2	
61		Screw (M2.5)	4LB-181200-2	2	



V71-PCB (Duplex Control PWB) C7500/C7300/C7100  
(41027502-1/4)



**V71-PCB (Duplex Control PWB) C7500/C7300/C7100  
(41027502-2/4)**

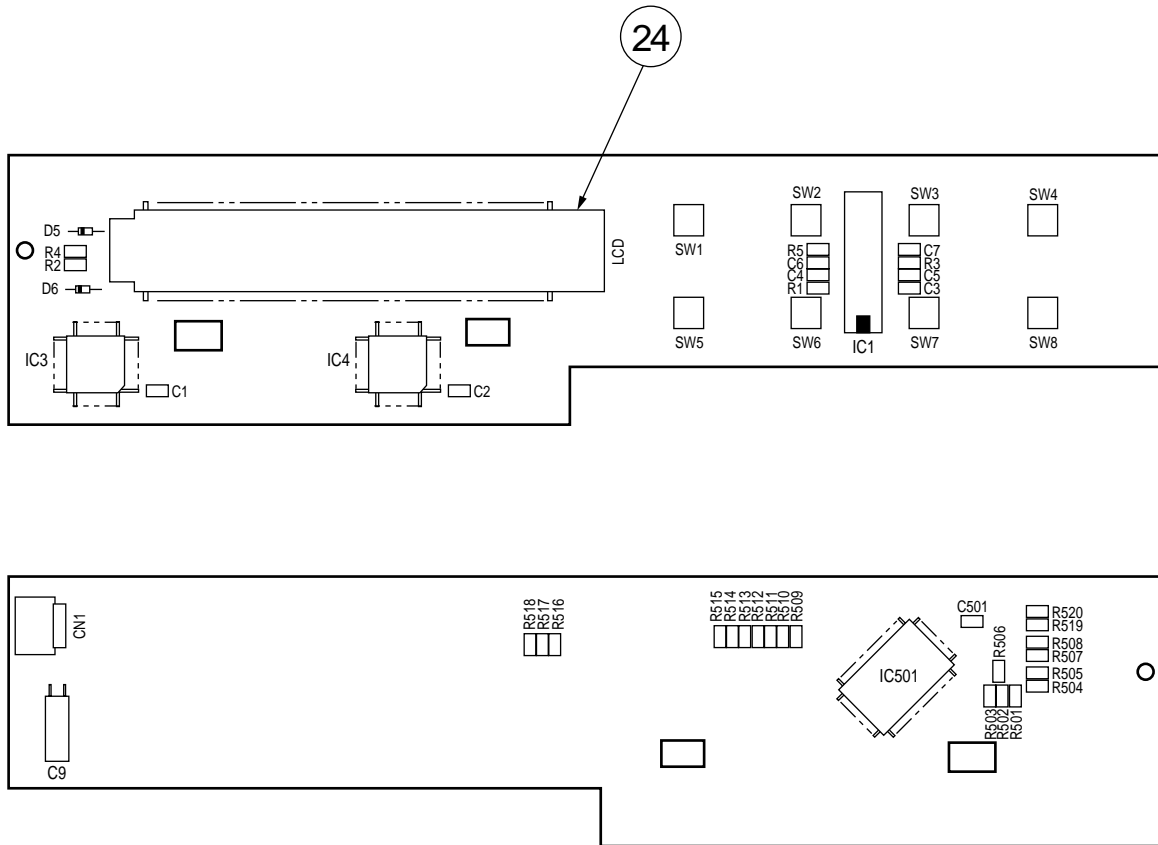
REF. NO.	SYMBOL	TYPE/NAME	PART NO.	Q'TY	REMARKS
1	D1	OR-Rectifying DI -Q	40401401	1	
2	D2~D4	SS100MA80VACP D-Signal (CP)	611A0000N0001	3	
3	D501~D503	SS100MA80VKCP D-Signal (CP)	611A0000N0002	3	
4	D5	MA151WK/N202K/2838 D-Signal (CP)	611A0003N0003	1	
5					
6	R4~R9, R541~R543	CR/RK73K/ERJ/MCRJ102 RES-MET RN -C	3235003J0102	9	
7	R501~R505, R514~R516	CR/RK73K/ERJ/MCRJ330 RES-MET RN -C	3235003J0330	6	
8	R528, R530	CR/RK73K/ERJ/MCRJ510 RES-MET RN -C	3235003J0510	2	
9	R18, R506~R513, R519~ R527, R529, R534	CR/RK73K/ERJ/MCRJ512 RES-MET RN -C	3235003J0512	20	
10	R532, R533, R536	CR/RK73K/ERJ/MCRJ563 RES-MET RN -C	3235003J0563	3	
11	R546	RM73B2A203F RES RN (CP)	323A5003F0203	1	
12	R13, R14	RM73B2A333F RES RN (CP)	323A5003F0333	2	
13	R549	RM73B2A183F RES RN (CP)	323A5003F0183	1	
14	R547, R548	RM73B2A512F RES RN (CP)	323A5003F0512	2	
15	R537~R539	RM73B2A242J RES RN (CP)	323A5003J0242	3	
16	R550, R551	RM73B2A512J RES RN (CP)	323A5003J0512	2	
17	R3, R23~R26, R544	2125JPW RN RESISTOR (CP)	323A5003P0001	6	

**V71-PCB (Duplex Control PWB) C7500/C7300/C7100  
(41027502-3/4)**

REF. NO.	SYMBOL	TYPE/NAME	PART NO.	Q'TY	REMARKS
18	R1, R2	RNS1-0.51ohmJ RES RS	324A1012J0518	2	
19	R16, R17, R19	CR/RK73Z/ERJ/MCRJ-0V RES-Zero ohm -C	3255003P0001	3	
20				4	
21	C10, C12, C16-C19, C503-C505	GRM/UMK/MCH/680CH CAP-Ceramic -C	3033003C0680	9	
22	C6, C7, C11, C13-C15, C501, C502, C506	GRM/ TMK/ MCH/ 104Z 25V CAP-Ceramic -C	3036003Z0104	9	
23	C2, C4	CC2012SL1H102J 50V CAP-CC (CP)	303A3007K0102	2	
24	C509, C510	CK2012F1H105Z 16V CAP-CK (CP) 1 $\mu$ F	303A6008Z1105	2	
25	C507, C508	CK2012F1H104Z 50V CAP-CK (CP)	303A6008Z3104	2	
26	CP1	UVX/SME-16VB-10-0A CAP-Alum -P	30411103C1100	1	
27	CP6	KMG50VB-47M-FC 50V CAP-CE 47 $\mu$ F	304A1180H1470	1	
28				2	
29	IC5	SN74LS38NS Digital IC-BIP (SO)	700A0550N0038	1	
30	IC4	SN74LS373NS Digital IC-BIP (SO)	700A0550N0373	1	
31	IC6	PST592D-2 BIPLIN-IC	720A4037M0015	1	
32	IC3	MSM65X512ARS CPU-MOS -	8510124M0001	1	
33					
34	TR1	2SA1417S/T PNP-HF-TR (CP)	600A1032N0011	1	

**V71-PCB (Duplex Control PWB) C7500/C7300/C7100  
(41027502-4/4)**

REF. NO.	SYMBOL	TYPE/NAME	PART NO.	Q'TY	REMARKS
35	TR2	DTC124EKAT146 TR-NPN/H -C	6021035N0004	1	
36					
37	IC1S	DICF-28CS-E Socket-IC	245A1221P0280	1	
38				1	
39	FSEN, INSENS	175489-3 Connector-PCB -	2244004P0030	2	
40	MOTOR	175487-4 Connector-PCB -	2244005P0040	1	
41	MAIN	1-175489-4 Connector-PCB -	2244004P0140	1	
42	CLUTCH	S2B-PH-K-S Connector-PC	224A3531P0020	1	
43	RSENS	S3B-PH-K-S Connector-PC	224A3531P0030	1	
44					
45	OSC1	CSTLA10M0T55 OSC-Ceramic	381A1045B0014	1	
46	FU1	429-002WR Fuse -C	5402205S7202	1	
47	IC7, IC8	A3955SLBTR Analog-BIPLIN -B	7201826N0002	2	



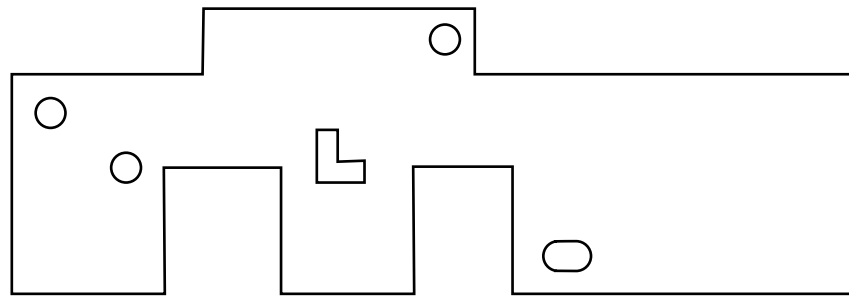
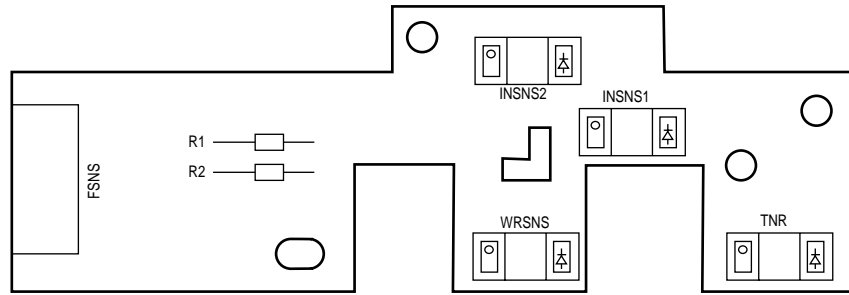
**X7N-PCB (Control Panel PWB)**  
**(42013101-1/3)**

**X7N-PCB (Control Panel PWB)  
(42013101-2/3)**

REF. NO.	SYMBOL	TYPE/NAME	PART NO.	Q'TY	REMARKS
1	R506	RM73B2A913F RES RN (CP)	323A5003F0913	1	
2	R509~R515	RM73B2A103J RES RN (CP)	323A5003J0103	7	
3	R1, R3, R5	RM73B2A201J RES RN (CP)	323A5003J0201	3	
4	R4	RM73B2A181J RES RN (CP)	323A5003J0181	1	
5	R2	RM73B2B271J RES RN (CP)	3235003J0271	1	
6	R520	RM73B2B512J RES RN (CP)	323A5003J0512	1	
7	R504, R505, R507, R508, R519	RM73B2B752J RES RN (CP)	323A5003J0752	5	
8	R501~R503, R516~R518	RM73B2B680J RES RN (CP)	323A5003J0680	6	
9					
10	C3, C4, C6, C7	CK2012B1H102K CAP-CK 50V (CP)	303A6008K3102	1	
11	C1, C2, C501	CK2012F1E104Z CAP-CK 25V (CP)	303A6008Z2104	3	
12	C5	CK2012F1H104Z CAP-CK 50V (CP)	303A6008Z3104	1	
13	C9	KME10VB-100 CAP-CE 10V 100 $\mu$ F	304A1115A1101	1	
14					
15	IC11	BU6152S Digital IC-MOS	702A4733M0002	1	
16	IC3, IC4	MSM5259GS-2K CPU-INF-IC (FP)	855A0024N0001	2	
17	IC501	HD44780UB49FS CPU Interface -F	8550421N0004	1	

**X7N-PCB (Control Panel PWB)  
(42013101-3/3)**

REF. NO.	SYMBOL	TYPE/NAME	PART NO.	Q'TY	REMARKS
18					
19	SW1~SW8	SOR-113HS SW-Pushbutton	205A1165P1000	8	
20	CN1	06FE-ST-VK-N Connector-PCB -	2244101P0060	1	
21	D6	SEL6210R/ PHOTO-LED -	6500003M0002	1	
22	D5	SEL6410G/ PHOTO-LED -	6500003M0003	1	
23					
24		DGL-0402YG-4Q Optical source-LCD -	6535066L0001	1	

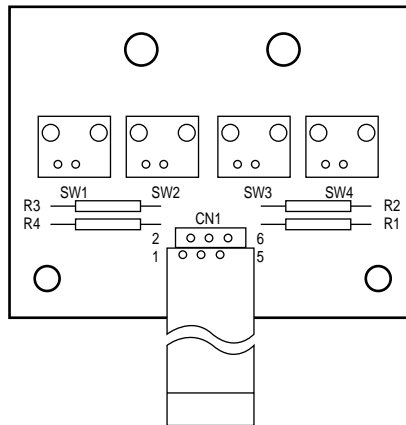


**R71 PCB (Entrance Sensor PWB)  
(40937501-1/2)**

**R71 PCB (Entrance Sensor PWB)  
(40937501-2/2)**

REF. NO.	SYMBOL	TYPE/NAME	PART NO.	Q'TY	REMARKS
1	R1, R2	RD1/4Y82ohmJ RES RD	321A1421J0820	2	
2					
3	FSNS	175489-9 PC Connector	2244004P0090	1	
4					
5	TNR, WRSNS, INSNS1, INSNS2	RPI-574/SG-206 Photocoupler	652A0103M0002	4	

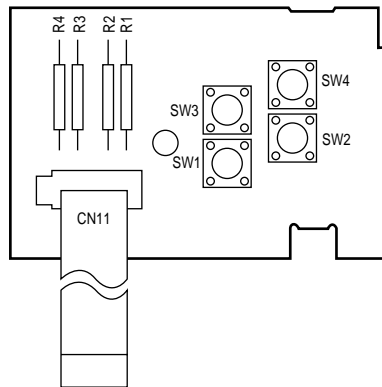




**B73 PCB (Paper Size Sensing PWB) C9500/C9300  
(41230301-1/2)**

**B73 PCB (Paper Size Sensing PWB) C9500/C9300  
(41230301-2/2)**

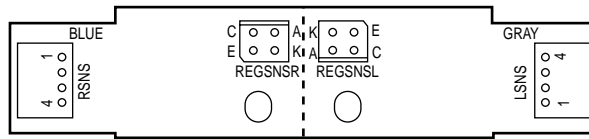
REF. NO.	SYMBOL	TYPE/NAME	PART NO.	Q'TY	REMARKS
1	R1~R4	RD1/4Y10KohmJ RES RD	321A1421J0103	4	
2					
3	CN1	06FE-ST-VK-N PC Connector	2244101P0060	1	
4					
5	SW1~SW4	CS1A-A1AA SW-Pushbutton	2051006P1000	4	



**PXC PCB (Paper Size Sensing PWB) C7500/C7300/C7100  
(40140507-1/2)**

**PXC PCB (Paper Size Sensing PWB) C7500/C7300/C7100  
(40140507-2/2)**

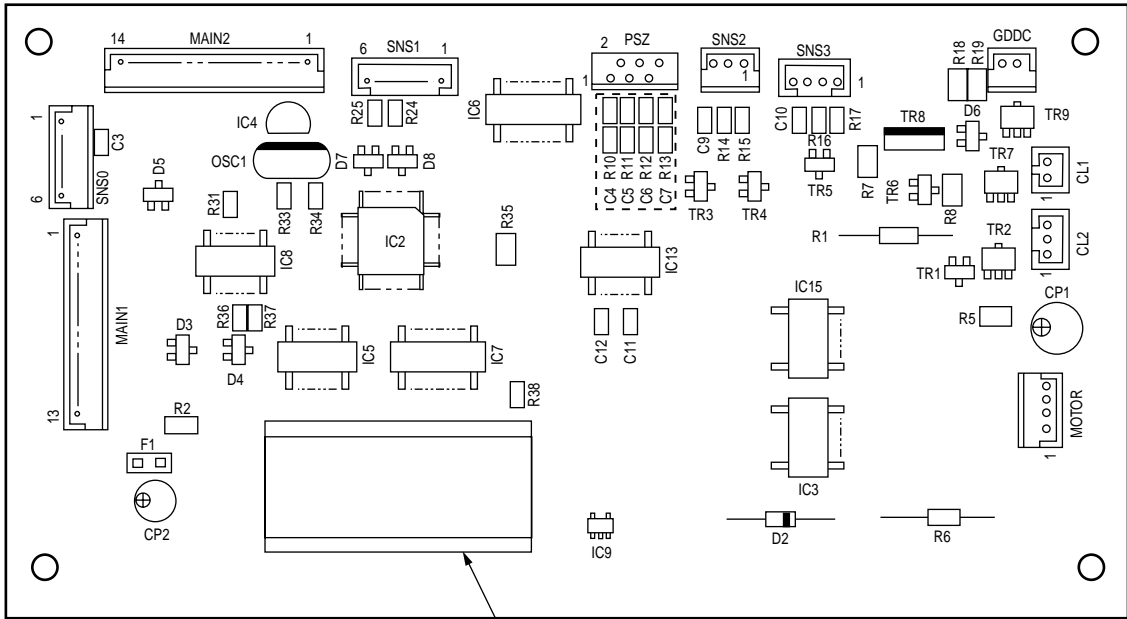
REF. NO.	SYMBOL	TYPE/NAME	PART NO.	Q'TY	REMARKS
1	SW1-SW4	SOR-113HS SW-Pushbutton	205A1165P1000	4	
2					
3	CN11	00-5062-301-006-000 PC Connector	224A5114P0060	1	
4					
5	R1-R4	RD1/4Y10KohmJ RES RD	321A1421J0103	4	
6					
7	SC1	HCUJ/TW-VFM/6H-300 Connector-	2381003P0017	1	



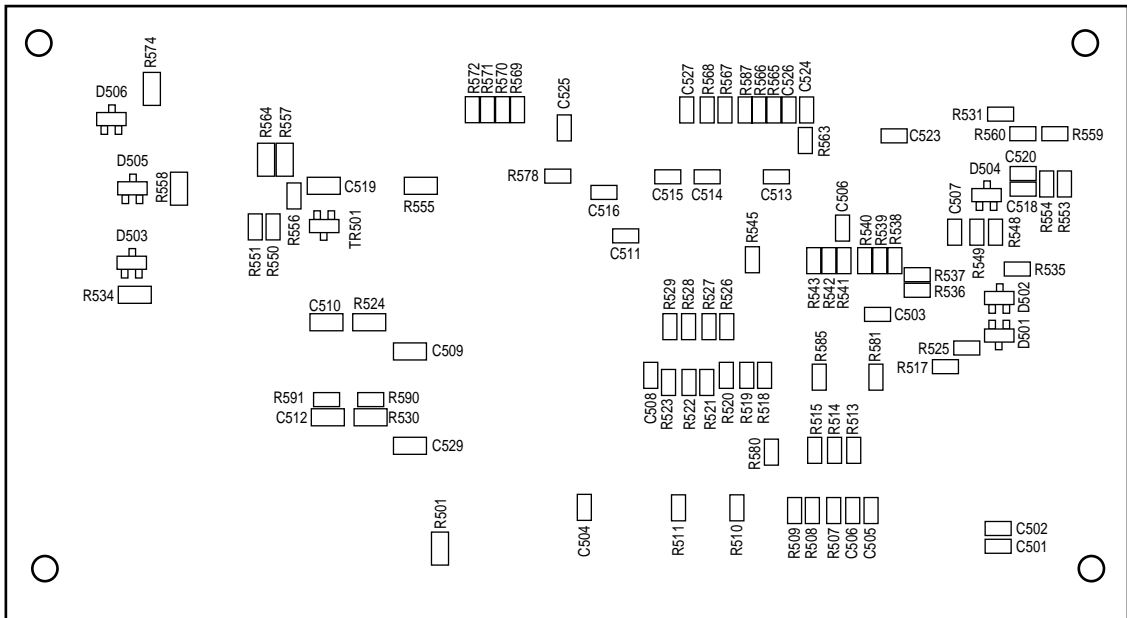
**Z71 PCB (Color Registration Sensor PWB)  
(41206401-1/2)**

**Z71 PCB (Color Registration Sensor PWB)  
(41206401-1/2)**

REF. NO.	SYMBOL	TYPE/NAME	PART NO.	Q'TY	REMARKS
1	REGSNL, REGSNSR	RPR-220 Sensor-optical	5631001P0001	2	
2					
3	LSNS, RSNS	S4B-PH-K-S PC Connector	224A3531P0040	2	



61



V7X-PCB (Option Tray PWB) C9500/C9300  
(41768406-1/5)

**V7X-PCB (Option Tray PWB) C9500/C9300  
(41768406-2/5)**

REF. NO.	SYMBOL	TYPE/NAME	PART NO.	Q'TY	REMARKS
1	D2	OR-Rectifying DI -Q	40401401	1	
2	D6	SB05-05CP OR-Rectifying DI (CP)	610A0332N0001	1	
3	D4, D7, D501, D504	SS100MA80VACP D-Signal (CP)	611A0000N0001	4	
4	D3, D5, D8, D502, D503, D505, D506	SS100MA80VKCP D-Signal (CP)	611A0000N0002	7	
5					
6	R551	CR/RK73H/ERJ/MCRF123 RES-MET RN -C	3235003F0123	1	
7	R550	CR/RK73H/ERJ/MCRF222 RES-MET RN -C	3235003F0222	1	
8	R556	CR/RK73H/ERJ/MCRF202 RES-MET RN -C	3235003F0202	1	
9	R10~R14, R16, R24, R25, R517, R525, R531, R535, R548, R549, R554, R559, R565, R568	CR/RK73K/ERJ/MCRJ102 RES-MET RN -C	3235003J0102	18	
10	R38, R511, R519~R523, R526~R529, R536~R543, R587, R569~R572	CR/RK73K/ERJ/MCRJ103 RES-MET RN -C	3235003J0103	24	
11	R591	CR/RK73K/ERJ/MCRJ203 RES-MET RN -C	3235003J0203	1	
12	R31	CR/RK73K/ERJ/MCRJ222 RES-MET RN -C	3235003J0222	1	
13	R505~R510, R513~R515, R518	CR/RK73K/ERJ/MCRJ330 RES-MET RN -C	3235003J0330	10	
14	R15, R17, R553, R560, R566, R567	CR/RK73K/ERJ/MCRJ473 RES-MET RN -C	3235003J0473	6	
15	R36, R37, R563, R590	CR/RK73K/ERJ/MCRJ512 RES-MET RN -C	3235003J0512	4	
16	R7, R18, R557, R564	RM73B2A202J RES RN (CP)	323A5003J0202	4	



**V7X-PCB (Option Tray PWB) C9500/C9300  
(41768406-3/5)**

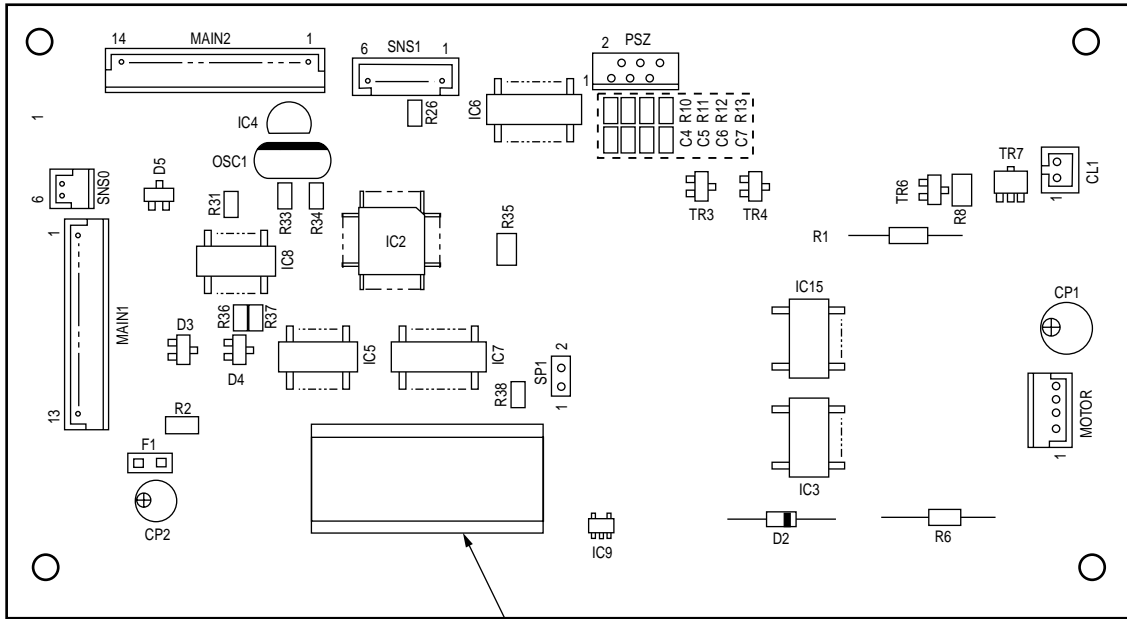
REF. NO.	SYMBOL	TYPE/NAME	PART NO.	Q'TY	REMARKS
17	R19, R574	RM73B2A242J RES RN (CP)	323A5003J0242	2	
18	R555	RM73B2A272J RES RN (CP)	323A5003J0272	1	
19	R524, R530	RM73B2A333J RES RN (CP)	323A5003J0333	2	
20	R5, R8, R534, R558	RM73B2A392J RES RN (CP)	323A5003J0392	4	
21	R2, R35, R501	2125JPW RN RESISTOR (CP)	323A5003P0001	3	
22	R1, R6	RNS1-0.51ohmJ RES RS	324A1012J0518	2	
23	R33, R34, R545, R578, R580, R581, R585	CR/RK73Z/ERJ/MCRJ-0V RES-Zero ohm -C	3255003P0001	7	
24					
25	C3-C7, C9-C12, C506, C507, C513-C516, C518, C526, C527	GRM/UMK/MCH/680CH CAP-Ceramic -C	3033003C0680	18	
26	C503, C504, C508, C511, C520, C523-C525	GRM/ TMK/ MCH/ 104Z 25V CAP-Ceramic -C	3036003Z0104	8	
27	C501, C502	EMK107F474ZA-T 16V CAP-Ceramic -C	3036005Z0474	2	
28	C519	CC2012SL1H101J 50V CAP-CC (CP)	303A3007K0101	1	
29	C510, C512	CC2012SL1H102J 50V CAP-CC (CP)	303A3007K0102	2	
30	C509, C529	CK2012F1H104Z 50V CAP-CK (CP)	303A6008Z3104	2	
31	CP2	UVX/SME-16VB-10-0A CAP-Alum -P	30411103C1100	1	
32	CP1	KMG50VB-47M 50V CAP-CE 47μF	304A1164H1470	1	
33					

**V7X-PCB (Option Tray PWB) C9500/C9300  
(41768406-4/5)**

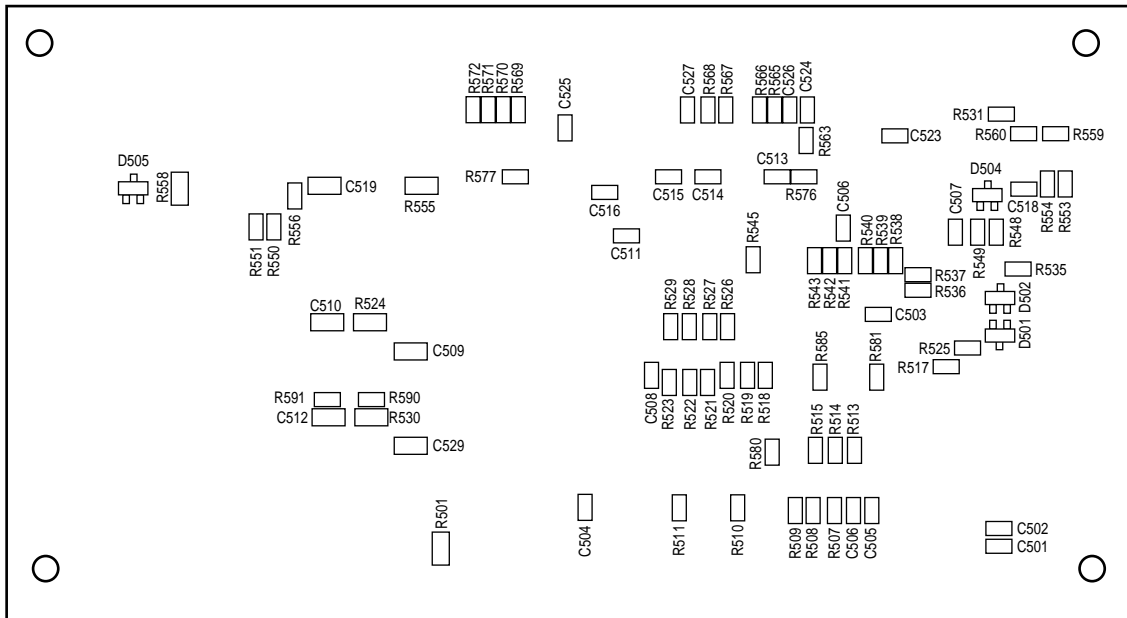
REF. NO.	SYMBOL	TYPE/NAME	PART NO.	Q'TY	REMARKS
34	IC8	SN74LS38NS Digital IC-BIP (SO)	700A0550N0038	1	
35	IC5	74HC00FP Digital IC-MOS (SO)	702A1703N0000	1	
36	IC13	74HC125FP Digital IC-MOS (SO)	702A1703N0125	1	
37	IC6	74HC244FP Digital IC-MOS (SO)	702A1703N0244	1	
38	IC7	74HC373FP Digital IC-MOS (SO)	702A1703N0373	1	
39	IC9	TC7S02F Digital IC-MOS (CP)	702A3225N0006	1	
40	IC4	PST592D-2 BIPLIN-IC	720A4037M0015	1	
41	IC3, IC15	A3955SLBTR Analog-BIPLIN -B	7201826N0002	2	
42	IC2	MSM65X512AGS-2K CPU-MOS (ROM) -F	8530195N0001	1	
43					
44	TR4	2SA1338/2SB1198KT TR-PNP/H -C	6001003N0002	1	
45	TR8	2SA1248 PNP-HF-TR	600A1132M0001	1	
46	TR2, TR7, TR9	2SB1123 PNP-LF-TR (CP)	601A1032N0002	3	
47	TR1, TR5, TR6, TR501	DTC124EKAT146 TR-NPN/H -C	6021035N0004	4	
48	TR3	DTC114EKA NPN-HF-TR (CP)	602A1035N0005	1	
49				1	
50	GDDC	175487-2 Connector-PCB -	2244005P0020	1	

**V7X-PCB (Option Tray PWB) C9500/C9300  
(41768406-5/5)**

REF. NO.	SYMBOL	TYPE/NAME	PART NO.	Q'TY	REMARKS
51	SNS2	175487-3 Connector-PCB -	2244005P0030	1	
52	MOTOR	175487-4 Connector-PCB -	2244005P0040	1	
53	SNS0	175487-6 Connector-PCB -	2244005P0060	1	
54	MAIN1	1-175487-3 Connector-PCB -	2244005P0130	1	
55	MAIN2	1-175487-4 Connector-PCB -	2244005P0140	1	
56	PSZ	06FE-BT-VK-N Connector-PCB -	2244102P0060	1	
57	CL1	B2B-PH-K-S Connector-PC	224A3529P0020	1	
58	CL2	B3B-PH-K-S Connector-PC	224A3529P0030	1	
59	SNS3	B4B-PH-K-S Connector-PC	224A3529P0040	1	
60	SNS1	B6B-PH-K-S Connector-PC	224A3529P0060	1	
61		DICF-28CS-E Socket-IC	245A1221P0280	1	
62					
63	OSC1	CSTLA10M0T55 OSC-Ceramic	381A1045B0014	1	
64	F1	429-002WR Fuse -C	5402205S7202	1	



53



**V7X-PCB (Option Tray PWB) C7500/C7300/C7100  
(41768405-1/5)**

**V7X-PCB (Option Tray PWB) C7500/C7300/C7100  
(41768405-2/5)**

REF. NO.	SYMBOL	TYPE/NAME	PART NO.	Q'TY	REMARKS
1	D2	OR-Rectifying DI -Q	40401401	1	
2	D4, D501, D504	SS100MA80VACP D-Signal (CP)	611A0000N0001	3	
3	D3, D5, D502, D505	SS100MA80VKCP D-Signal (CP)	611A0000N0002	4	
4					
5	R551	CR/RK73H/ERJ/MCRF332 RES-MET RN -C	3235003F0332	1	
6	R550	CR/RK73H/ERJ/MCRF821 RES-MET RN -C	3235003F0821	1	
7	R10-R13, R517, R525, R531, R535, R548, R549, R554, R559, R565, R568	CR/RK73K/ERJ/MCRJ102 RES-MET RN -C	3235003J0102	14	
8	R38, R511, R519-R523, R526-R529, R536-R543, R569-R572	CR/RK73K/ERJ/MCRJ103 RES-MET RN -C	3235003J0103	23	
9	R591	CR/RK73K/ERJ/MCRJ203 RES-MET RN -C	3235003J0203	1	
10	R31	CR/RK73K/ERJ/MCRJ222 RES-MET RN -C	3235003J0222	1	
11	R505-R510, R513-R515, R518	CR/RK73K/ERJ/MCRJ330 RES-MET RN -C	3235003J0330	10	
12	R553, R560, R566, R567	CR/RK73K/ERJ/MCRJ473 RES-MET RN -C	3235003J0473	4	
13	R36, R37, R563, R590	CR/RK73K/ERJ/MCRJ512 RES-MET RN -C	3235003J0512	4	
14	R555	RM73B2A272J RES RN (CP)	323A5003J0272	1	
15	R524, R530	RM73B2A333J RES RN (CP)	323A5003J0333	2	
16	R8, R558	RM73B2A392J RES RN (CP)	323A5003J0392	2	
17	R2, R35, R501	2125JPW RN RESISTOR (CP)	323A5003P0001	3	

**V7X-PCB (Option Tray PWB) C7500/C7300/C7100  
(41768405-3/5)**

REF. NO.	SYMBOL	TYPE/NAME	PART NO.	Q'TY	REMARKS
18	R1, R6	RNS1-0.51ohmJ RES RS	324A1012J0518	2	
19	R26, R33, R34, R545, R556, R576, R577, R580, R581, R585	CR/RK73Z/ERJ/MCRJ-0V RES-Zero ohm -C	3255003P0001	10	
20					
21	C4-C7, C506, C507, C513-C516, C526, C527	GRM/UMK/MCH/680CH CAP-Ceramic -C	3033003C0680	12	
22	C518	GRM/UMK/MCH/561B 50V CAP-Ceramic -C	3036003K0561	1	
23	C503, C504, C508, C511, C523-C525	GRM/ TMK/ MCH/ 104Z 25V CAP-Ceramic -C	3036003Z0104	7	
24	C501, C502	EMK107F474ZA-T 16V CAP-Ceramic -C	3036005Z0474	2	
25	C519	CC2012SL1H101J 50V CAP-CC (CP)	303A3007K0101	1	
26	R510, R512	CC2012SL1H102J 50V CAP-CC (CP)	303A3007K0102	2	
27	C509, C529	CK2012F1H104Z 50V CAP-CK (CP)	303A6008Z3104	2	
28	CP2	UVX/SME-16VB-10-0A CAP-Alum -P	3041103C1100	1	
29	CP1	KMG50VB-470M 50V CAP-CE 47 $\mu$ F	304A1164H1470	1	
30					
31	IC8	SN74LS38NS Digital IC-BIP (SO)	700A0550N0038	1	
32	IC5	74HC00FP Digital IC-MOS (SO)	702A1703N0000	1	
33	IC6	74HC244FP Digital IC-MOS (SO)	702A1703N0244	1	
34	IC7	74HC373FP Digital IC-MOS (SO)	702A1703N0373	1	

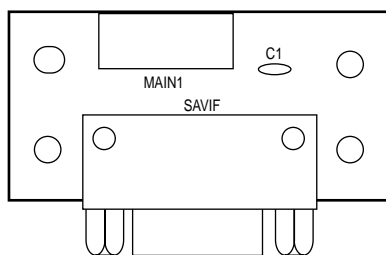
**V7X-PCB (Option Tray PWB) C7500/C7300/C7100  
(41768405-4/5)**

REF. NO.	SYMBOL	TYPE/NAME	PART NO.	Q'TY	REMARKS
35	IC9	TC7S02F Digital IC-MOS (CP)	702A3225N0006	1	
36	IC4	PST592D-2 BIPLIN-IC	720A4037M0015	1	
37	IC3, IC15	A3955SLBTR Analog-BIPLIN -B	7201826N0002	1	
38	IC2	MSM65X512A-GS-2K CPU-MOS (ROM) -F	8530195N0001	1	
39					
40	TR4	2SA1338/2SB1198KT TR-PNP/H -C	6001003N0002	1	
41	TR7	2SB1123 PNP-LF-TR (CP)	601A1032N0002	1	
42	TR6	DTC124EKAT146 TR-NPN/H -C	6021035N0004	1	
43	TR3	DTC114EKA NPN-HF-TR (CP)	602A1035N0005	1	
44					
45	MAIN1	1-175487-3 Connector-PCB -	2244005P0130	1	
46	MOTOR	175487-4 Connector-PCB -	2244005P0040	1	
47	SNS0	175487-2 Connector-PCB -	2244005P0020	1	
48	MAIN2	1-175487-4 Connector-PCB -	2244005P0140	1	
49	PSZ	06FE-BT-VK-N Connector-PCB -	2244102P0060	1	
50	CL1	B2B-PH-K-S Connector-PC	224A3529P0020	1	
51	SNS1	B6B-PH-K-S Connector-PC	224A3529P0060	1	

**V7X-PCB (Option Tray PWB) C7500/C7300/C7100  
(41768405-5/5)**

REF. NO.	SYMBOL	TYPE/NAME	PART NO.	Q'TY	REMARKS
52	SP1	SHORT WIRE (U TYPE) 0.65 P=2.5	5KH-31036-25	1	
53		DICF-28CS-E Socket-IC	245A1221P0280	1	
54				1	
55	OSC1	CSTLA10M0T55 OSC-Ceramic	381A1045B0014	1	
56	F1	429-002WR Fuse -C	5402205S7202	1	





**C73-PCB (Option I/F PWB) C9500/C9300  
(41230401-1/2)**

**C73-PCB (Option I/F PWB) C9500/C9300  
(41230401-2/2)**

REF. NO.	SYMBOL	TYPE/NAME	PART NO.	Q'TY	REMARKS
1	C1	HKZ5V4B/TCK45F2E103 CAP-Ceramic -C	3024003Z5103	1	
2					
3	MAIN1	S8B-PH-KS Connector-PC	224A3531P0080	1	
4	SAVIF	17LE-13090-27(D3CC) Square-shaped Connector	220A1450P0090	1	